

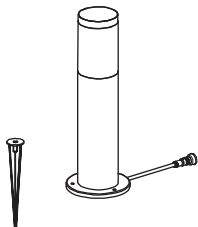
PHILIPS

LED Outdoor Low
Voltage Pedestal
9290032615
9290032616

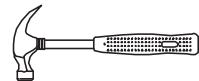
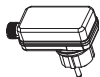
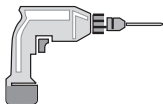


User manual
Benutzerhandbuch
Notice d'emploi
Manual de usuario
Manual do usuário
Manuale d'uso
Gebruiksaanwijzing

Incl.

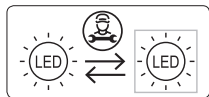


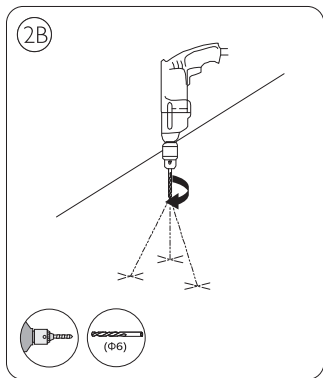
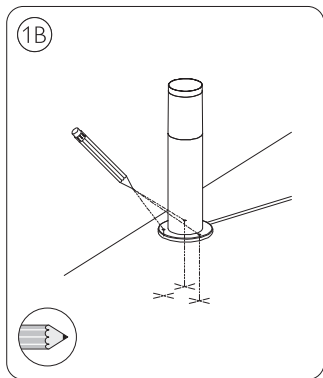
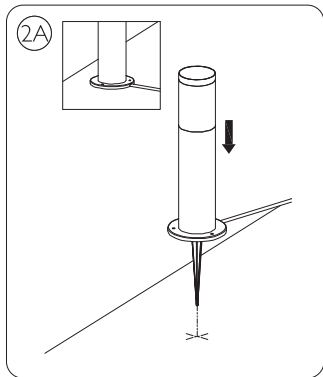
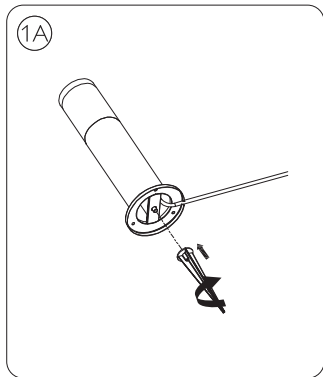
Excl.

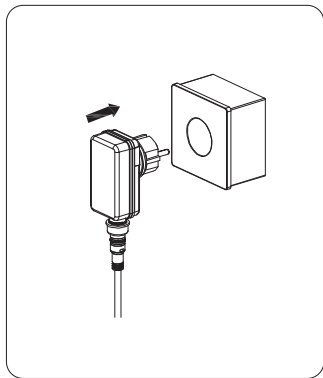
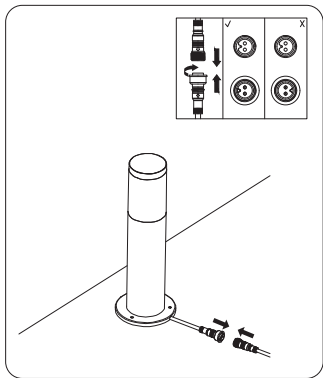
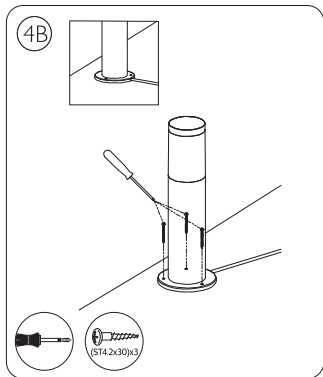
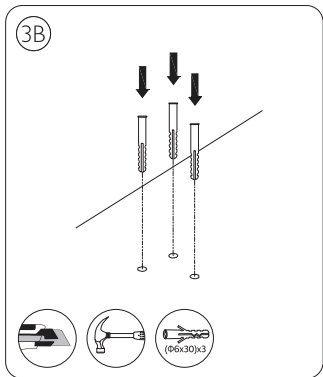


IP44

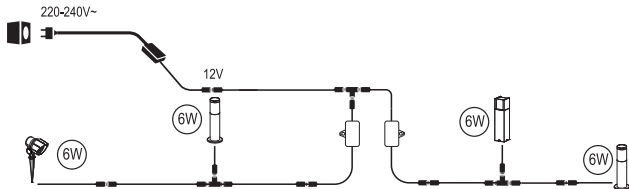
III







Philips GardenLink Low-volt system (12V)



Max.24W Dusk-to-Dawn Sensor (with max.3 pieces of luminaires)

Max.30m (24W Power Supply Unit and Dusk-to-Dawn Sensor, with max.3 pieces of luminaires)

Max.24m (48W Power Supply Unit, with max.6 pieces of luminaires)

For Low Voltage Use Only



Signify Commercial UK Limited
Unit 3, Guildford Business Park,
Guildford, Surrey, GU2 8XG, UK

Signify
I.B.R.S. / C.C.R.I. Numéro 10461
5600 VB Eindhoven, the Netherlands
00800-74454775

All rights reserved

Philips and the Philips Shield Emblem
are registered trademarks of Koninklijke
Philips N.V. and are used under license.

www.philips.com/lighting

© 2022 Signify Holding
The Signify logo, which consists of a stylized 'S' inside a circle followed by the word "ignify" in a lowercase, sans-serif font.

3241 659 63272