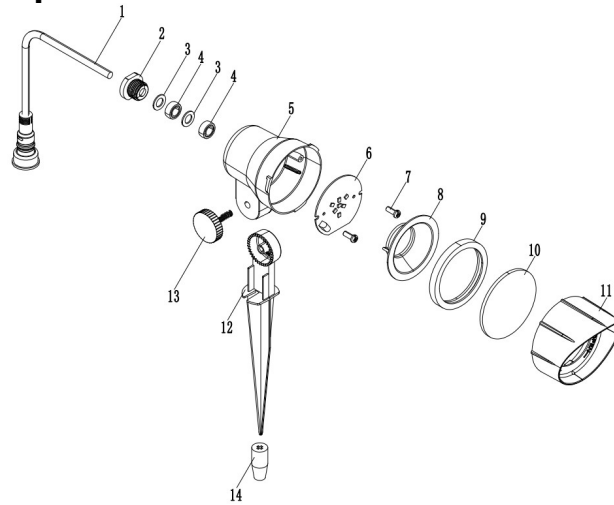


Dismantling Recommendation on Disposal at End of Life

Composition Explanation



No.	Components	Specifications	Unit	Quantity
1	Cable	H05VV-F 2*0.75mm ²	PCS	1
2	gland	PA	PCS	1
3	washer	aluminum	PCS	2
4	gasket	rubber	PCS	2
5	Light body	AL	PCS	1
6	L2		PCS	1
7	M3*5 screw	Zinc coated	PCS	2
8	reflector	ABS	PCS	1
9	gasket	rubber	PCS	1
10	glass	φ59.5*3	PCS	1
11	cover	AL	PCS	1
12	spike	AL	PCS	1
13	screw	M5*25	PCS	1
14	Spike cap	rubber	PCS	1

Dismantling Recommendation on Disposal at End of Life

Dismantling

- Type: Without permanent damage

Recommendation on Disposal

- Plastic part: Reuse and Recycling
- Electrical part: Incineration and disposal
- Metal part: Recycling

Light source dismantling process

