

# Product Description

## TUV T5

TUV T5 lamps are single- or double-ended UVC (germicidal) lamps used in professional water and air disinfection units. The small 16 mm diameter of the lamp allows for a small system design and design flexibility. TUV T5 lamps offer constant UV output over their complete lifetime, for maximum security of disinfection and high system efficacy.

### Benefits

- Security of effective disinfection over the complete lifetime of the lamp
- High system efficacy because it is not required to over-design the purification system to maintain effectiveness of disinfection

### Features

- Short-wave UV radiation with a peak at 253.7 nm (UVC) for disinfection
- Small diameter
- Protective inside coating ensures constant UV output over the complete lifetime of the lamp
- Lamp glass filters out the 185 nm ozone-forming line
- High temperature and UV-resistant lamp bases
- High Output versions available for optimum UVC output per lamp length, allowing for further reduction of system size
- Warning sign on lamp indicates that the lamp radiates UVC

### Application

- Deactivation of bacteria, viruses and other micro-organisms
- Air treatment systems
- Industrial water disinfection equipment, e.g. for food & beverage industry
- Small municipal water treatment systems
- Swimming pool units
- Residential drinking water units

**Warnings and Safety**

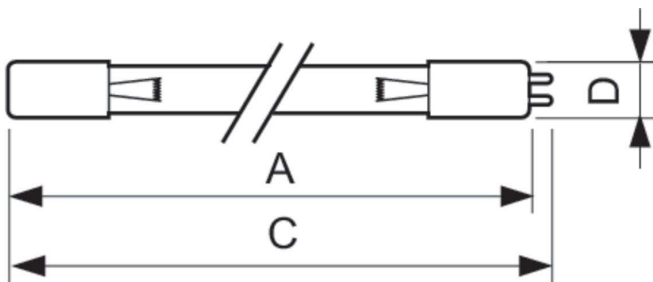
- A lamp breaking is extremely unlikely to have any impact on your health. If a lamp breaks, ventilate the room for 30 minutes and remove the parts, preferably with gloves. Put them in a sealed plastic bag and take it to your local waste facilities for recycling. Do not use a vacuum cleaner.
- **DANGER:** Risk Group 3 Ultra Violet product. These lamps emit high-power UV radiation that can cause severe injury to skin and eyes. Avoid eye and skin exposure to unshielded product. Use only in an enclosed environment which shields users from the radiation.

**Versions**

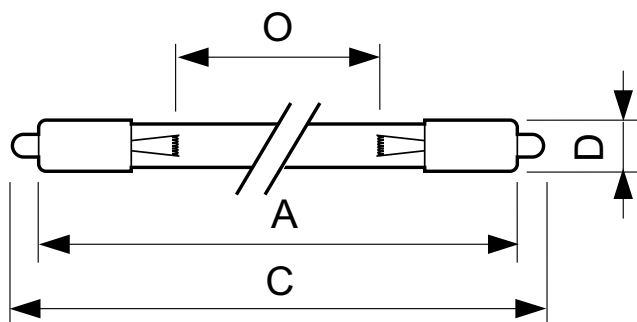


XPPR XUTUV 0004

**Dimensional drawing**



Product	D (max)	C (max)	A (max)
TUV 36T5 HO 4P SE UNP/32	19.3 mm	853 mm	845.4 mm
TUV 64T5 HO 4P SE UNP/32	19.3 mm	1,564.5 mm	1,555.2 mm



Product	D (max)	O	C (max)	A (max)
TUV 64T5 HE SP UNP/32	18.6 mm	1,473 mm	1,575.1 mm	1,556.6 mm

**General Information**

## TUV T5

Order Code	Full Product Name	Cap-Base
927971104099	TUV 64T5 HO 4P SE UNP/32	4PINSSINGLEENDED
927972104099	TUV 36T5 HO 4P SE UNP/32	4PINSSINGLEENDED

Order Code	Full Product Name	Cap-Base
927970504099	TUV 64T5 HE SP UNP/32	Single Pin

### Operating and Electrical

Order Code	Full Product Name	Lamp Current (Nom)	Power Consumption
927971104099	TUV 64T5 HO 4P SE UNP/32	0.8 A	140 W
927972104099	TUV 36T5 HO 4P SE UNP/32	0.8 A	75 W

Order Code	Full Product Name	Lamp Current (Nom)	Power Consumption
927970504099	TUV 64T5 HE SP UNP/32	0.425 A	75 W

### Approval and Application

Order Code	Full Product Name	Mercury (Hg) Content (Nom)
927971104099	TUV 64T5 HO 4P SE UNP/32	5.5 mg
927972104099	TUV 36T5 HO 4P SE UNP/32	5.5 mg

Order Code	Full Product Name	Mercury (Hg) Content (Nom)
927970504099	TUV 64T5 HE SP UNP/32	3.0 mg

