



Time to upgrade your conventional lighting to LumiStreet gen2

LumiStreet gen2

Increasing numbers of municipalities are having to upgrade large-scale conventional street lighting installations with energy-efficient LED technology. But they are having to do this with smaller and smaller budgets. That's why the new generation of LumiStreet has been upgraded and designed to provide a solution to this challenge, it is the ideal solution for performing point-to-point replacement of conventional lighting. LumiStreet gen2 achieves this by offering high-efficiency, low Total Cost of Ownership and ease of installation and maintenance. The ease of installation and maintenance is enabled by the Philips Service tag. Moreover, the Philips SR (System Ready) socket makes it future-ready and you can pair this luminaire with lighting control and software applications such as Interact City.

Benefits

- An economical LED alternative to conventional street lights
- Offers high efficiency and energy savings
- Made of high-quality materials for a longer lifetime and minimised maintenance

Features

- Good application coverage thanks to wide range of optics, tunable flux and tiltable spigot
- Easy luminaire identification due to the Philips Service tag
- Future-ready thanks to the SR (System Ready) socket
- High system efficiency with good application coverage
- The luminaire is also equipped with dedicated light recipes that help with: 1) maintaining an optimal ecosystems for bats or 2) preserving a dark night sky and reduce light pollution

LumiStreet gen2

Application

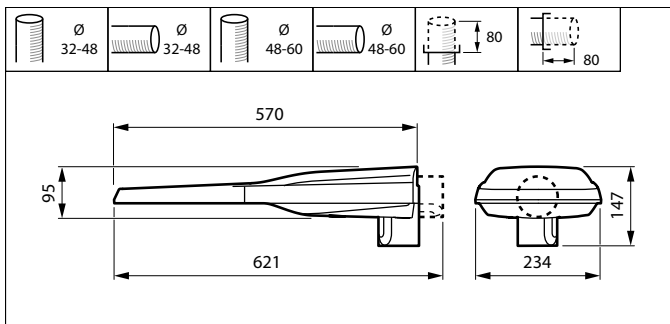
- Roads and streets
- Residential streets

Versions



LumiStreet/UniStreet gen2 Mini

Dimensional drawing



Product details

UniStreet_LumiStreet_gen2



UniStreet_LumiStreet_gen2



LumiStreet gen2

Product details



Bottom view for spigot regulation and screw



UniStreet_LumiStreet_gen2

LumiStreet gen2

General Information

Driver included	Yes
Light source replaceable	Yes
Number of gear units	Unit
Service Tag	Yes

Light Technical

Luminaire light beam spread	150° - 43° x 67°
Light source colour	740 neutral white
Correlated Colour Temperature (Nom)	4000 K
Colour rendering index (CRI)	70
Optic type outdoor	Distribution extra-wide 10
Upwards light output ratio	0

Operating and Electrical

Surge Protection (Common/Differential)	Luminaire surge protection level up to 6 kV differential mode and 8 kV common mode
--	--

Controls and Dimming

Dimmable	Yes
Maximum dim level	0% (digital)

Mechanical and Housing

Optical cover type	Flat glass
Housing Colour	Grey
Mech. impact protection code	IK09
Ingress protection code	IP66
Standard tilt angle side entry	0°
Standard tilt angle post-top	0°

Approval and Application

CE mark	Yes
Flammability mark	For mounting on normally flammable surfaces

Over Time Performance (IEC Compliant)

Driver failure rate at 5,000 hours	0.5 %
------------------------------------	-------

Product Data

Product family code	BGP292
---------------------	--------

General Information

Order Code	Full Product Name	Lamp family code
44943800	BGP292 LED99-4S/740 I DX10 7024 D9 48/60	LED99
07963200	BGP292 LED75-4S/740 I DX10 7024 D9 48/60	LED75
07964900	BGP292 LED49-4S/740 I DX10 7024 D9 48/60	LED49
07970000	BGP292 LED75-4S/740 I DX10 7024 D9 76S	LED75

Light Technical

Order Code	Full Product Name	Luminous Flux	Order Code	Full Product Name	Luminous Flux
44943800	BGP292 LED99-4S/740 I DX10 7024 D9 48/60	8,600 lm	07964900	BGP292 LED49-4S/740 I DX10 7024 D9 48/60	4,263 lm
07963200	BGP292 LED75-4S/740 I DX10 7024 D9 48/60	6,612 lm	07970000	BGP292 LED75-4S/740 I DX10 7024 D9 76S	6,612 lm

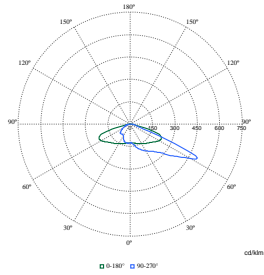
LumiStreet gen2

Operating and Electrical

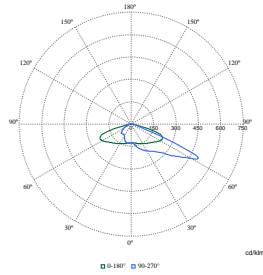
Order Code	Full Product Name	Power Consumption
44943800	BGP292 LED99-4S/740 I DX10 7024 D9 48/60	60 W
07963200	BGP292 LED75-4S/740 I DX10 7024 D9 48/60	44 W

Order Code	Full Product Name	Power Consumption
07964900	BGP292 LED49-4S/740 I DX10 7024 D9 48/60	29 W
07970000	BGP292 LED75-4S/740 I DX10 7024 D9 76S	44 W

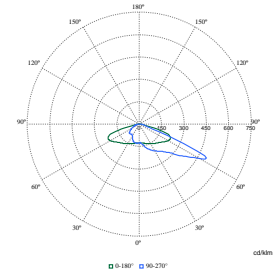
Polar Wide Diagrams



Polar Normal (separate) - BGP2821 -
910925866697



Polar Normal (separate) - BGP2821 -
910925866698



Polar Normal (separate) - BGP2821 -
910925865677

