



Our most efficient LED candle

MASTER UltraEfficient LED candles and lusters

This is the most efficient LED candle from Philips brand. 210lm/W helps to concrete the company statement of sustainability. 50000 hour lifetime helps to extend the replacement cycle to reduce the waste. This is not only the high SPEC product, but also keep the light quality of Philips brand

Benefits

- energy saving, 60% less energy comparing with standard Philips LED candles.
- Very long lifetime that reduces the need for replacement
- Easy replacement of conventional lamps

Features

- Ultra energy efficient, with 210lm/W
- Long lifetime, more than 3 times longer lifetime than the normal LED products
- Well optimized the look and feel, without impact on the application. Easy for the installation
- Designed to be seen, they look good on and off
- Environmentally friendly: contains no mercury or other hazardous substances

Application

- Domestic application
- Hospitality: restaurants and hotels

MASTER UltraEfficient LED candles and lusters

Versions



LED CLA 40W B35 E14 2700K CL
UE SRT4



LED CLA 40W P45 E27 2700K CL
UE SRT4



LED CLA 40W P45 E14 4000K CL
UE SRT4



LED CLA 40W P45 E14 2700K CL
UE SRT4 S

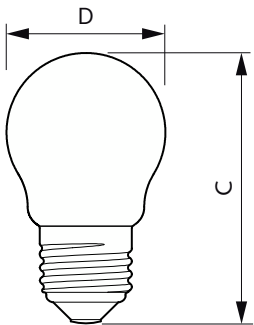


LED CLA 40W P45 E27 4000K CL
UE SRT4



LED CLA 40W B35 E14 4000K CL
UE SRT4

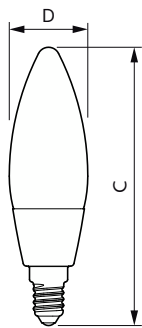
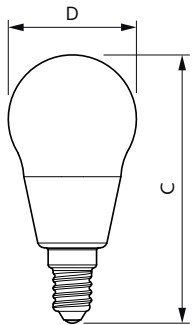
Dimensional drawing



Product	D	C
MAS LEDLusterND2.3-40W E27 827 P45CL GUE	45 mm	78 mm
MAS LEDLusterND2.3-40W E27 840 P45CL GUE	45 mm	78 mm

MASTER UltraEfficient LED candles and lusters

Dimensional drawing



Product	D	C
MAS LEDLusterND2.3-40W E14 827 P45CL GUE	45 mm	99 mm
MAS LEDLusterND2.3-40W E14 840 P45CL GUE	45 mm	99 mm

Product	D	C
MAS LEDCandleND2.3-40W E14 827 B35CL GUE	35 mm	111 mm
MAS LEDCandleND2.3-40W E14 840 B35CL GUE	35 mm	111 mm

MASTER UltraEfficient LED candles and lusters

General Information

Switching Cycle	50,000
Nominal lifetime	50,000 hour(s)

Light Technical

Color rendering index (CRI)	80
LLMF At End Of Nominal Lifetime (Nom)	70 %
Luminous Flux	485 lm

Operating and Electrical

Input Frequency	50 to 60 Hz
Line Frequency	50 to 60 Hz
Power Consumption	2.3 W
Starting Time (Nom)	0.5 s
Wattage Equivalent	40 W

Temperature

Ambient temperature range	-20 to +45 °C
T-Case Maximum (Nom)	70 °C

Controls and Dimming

Dimmable	No
----------	----

Mechanical and Housing

Bulb Finish	Clear
-------------	-------

Approval and Application

Energy Consumption kWh/1000 h	3 kWh
-------------------------------	-------

General Information

Order Code	Full Product Name	Cap-Base
929003625902	MAS LEDCandleND2.3-40W E14 827 B35CL GUE	E14
929003626202	MAS LEDLusterND2.3-40W E27 827 P45CL GUE	E27
929003626402	MAS LEDLusterND2.3-40W E14 840 P45CL GUE	E14
929003626102	MAS LEDLusterND2.3-40W E14 827 P45CL GUE	E14
929003626502	MAS LEDLusterND2.3-40W E27 840 P45CL GUE	E27
929003626002	MAS LEDCandleND2.3-40W E14 840 B35CL GUE	E14

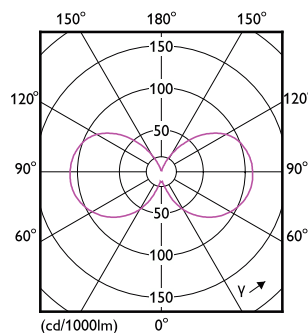
Light Technical

Order Code	Full Product Name	Correlated Color	
		Temperature (Nom)	Color Code
929003625902	MAS LEDCandleND2.3-40W E14 827 B35CL GUE	2700 K	827
929003626202	MAS LEDLusterND2.3-40W E27 827 P45CL GUE	2700 K	827
929003626402	MAS LEDLusterND2.3-40W E14 840 P45CL GUE	4000 K	840

Order Code	Full Product Name	Correlated Color	
		Temperature (Nom)	Color Code
929003626102	MAS LEDLusterND2.3-40W E14 827 P45CL GUE	2700 K	827
929003626502	MAS LEDLusterND2.3-40W E27 840 P45CL GUE	4000 K	840
929003626002	MAS LEDCandleND2.3-40W E14 840 B35CL GUE	4000 K	840

Mechanical and Housing

Order Code	Full Product Name	Bulb Shape
929003625902	MAS LEDCandleND2.3-40W E14 827 B35CL GUE	B35
929003626202	MAS LEDLusterND2.3-40W E27 827 P45CL GUE	P45
929003626402	MAS LEDLusterND2.3-40W E14 840 P45CL GUE	P45
929003626102	MAS LEDLusterND2.3-40W E14 827 P45CL GUE	P45
929003626502	MAS LEDLusterND2.3-40W E27 840 P45CL GUE	P45
929003626002	MAS LEDCandleND2.3-40W E14 840 B35CL GUE	B35



MASTER UltraEfficient LED candles and lusters

