



# Vår mest effektive LED-pære

## MASTER UltraEfficient LED-lyspære

Dette er den mest effektive LED-lyspæren fra Philips. 210 lm/W er ren bærekraftighet og med 50000 timers levetid reduseres også avfallet siden lyskildene ikke skal erstattes så ofte. Dette er ikke bare et produkt med høy SPEC, men har også den kjente Philips-lyskvaliteten.

### Fordeler

- Energibesparelse, 60 % mindre energi sammenlignet med standard Philips LED-pærer
- Svært lang levetid som reduserer behovet for utskifting
- Enkel erstatning for tradisjonelle lyskilder

### Funksjoner

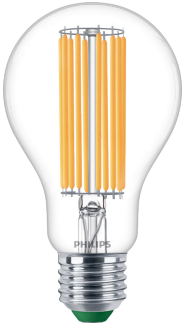
- Meget energieffektiv, med 210lm/W
- Lang levetid. Mer enn 3 ganger lengre levetid enn vanlige LED-produkter
- Optimert utseende og stemning. Enkel installering.
- Laget for å ses, både når den er på og når den er av
- Miljøvennlig: inneholder ikke kvikksølv eller andre skadelige stoffer

### Søknad

- Bruksområder i private hjem
- Hotell- og restaurantnæringen: restauranter og hoteller

# MASTER UltraEfficient LED-lyspære

## Versions



LED CLA 75W A70 E27 3000K CL UE SRT4



LED CLA 60W A60 E27 4000K CL UE SRT4



LED CLA 60W A60 E27 2700K CL UE SRT4



LEDbulb MAS EU A60 E27 CL 4



LED CLA 60W G95 E27 2700K CL UE SRT4



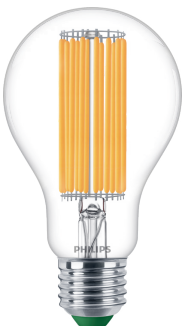
LED CLA 75W A60 E27 2700K CL UE SRT4



LED CLA 100W A60 E27 2700K CL UE SRT4



LED CLA 60W ST64 E27 2700K CL UE SRT4



LED CLA 100W A70 E27 3000K CL UE SRT4



LED CLA 75W A60 E27 4000K CL UE SRT4



LED CLA 60W G95 E27 4000K CL UE SRT4



LED CLA 100W A60 E27 4000K CL UE SRT4



LED CLA 40W A60 E27 4000K CL UE SRT4



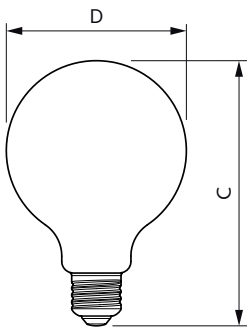
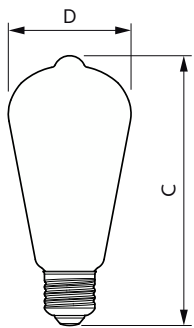
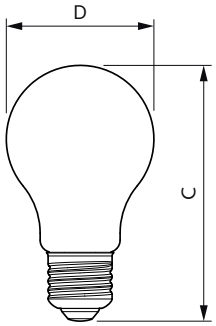
LED CLA 40W A60 E27 2700K CL UE SRT4



LEDbulb MAS EU A60 E27 CL 2

# MASTER UltraEfficient LED-lyspære

## Målskisse



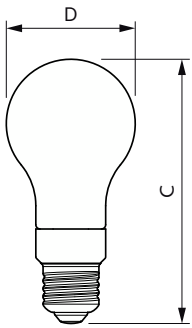
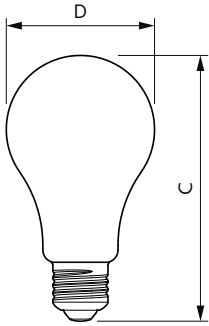
Product	D	C
MAS LEDBulbND2.3-40W E27 827 A60 CL G UE	60 mm	104 mm
MAS LEDBulbND2.3-40W E27 827 A60 FR G UE	60 mm	104 mm
MAS LEDBulbND2.3-40W E27 830 A60 CL G UE	60 mm	104 mm
MAS LEDBulbND2.3-40W E27 830 A60 FR G UE	60 mm	104 mm
MAS LEDBulbND2.3-40W E27 840 A60 CL G UE	60 mm	104 mm
MAS LEDBulbND2.3-40W E27 840 A60 FR G UE	60 mm	104 mm
MAS LEDBulbND2.3-40W E27840 A60CL G EELA	60 mm	105 mm
MAS LEDBulbND4-60W E27 827 A60 CL G UE	60 mm	104 mm
MAS LEDBulbND4-60W E27 827 A60 FR G UE	60 mm	104 mm
MAS LEDBulbND4-60W E27 830 A60 CL G UE	60 mm	104 mm
MAS LEDBulbND4-60W E27 830 A60 FR G UE	60 mm	104 mm
MAS LEDBulbND4-60W E27 840 A60 CL G EELA	60 mm	105 mm
MAS LEDBulbND4-60W E27 840 A60 CL G UE	60 mm	104 mm
MAS LEDBulbND4-60W E27 840 A60 FR G UE	60 mm	104 mm
MAS LEDBulbND5.2-75W E27 827 A60 CL G UE	60 mm	104 mm
MAS LEDBulbND5.2-75W E27 827 A60 FR G UE	60 mm	104 mm
MAS LEDBulbND5.2-75W E27 830 A60 CL G UE	60 mm	104 mm
MAS LEDBulbND5.2-75W E27 830 A60 FR G UE	60 mm	104 mm
MAS LEDBulbND5.2-75W E27 840 A60 CL G UE	60 mm	104 mm
MAS LEDBulbND5.2-75W E27 840 A60 FR G UE	60 mm	104 mm
MAS LEDBulbND7.3-100W E27 827 A60 CL G UE	60 mm	104 mm
MAS LEDBulbND7.3-100W E27 827 A60 FR G UE	60 mm	104 mm
MAS LEDBulbND7.3-100W E27 830 A60 CL G UE	60 mm	104 mm
MAS LEDBulbND7.3-100W E27 830 A60 FR G UE	60 mm	104 mm
MAS LEDBulbND7.3-100W E27 840 A60 CL G UE	60 mm	104 mm
MAS LEDBulbND7.3-100W E27 840 A60 FR G UE	60 mm	104 mm

Product	D	C
MAS LEDBulbND4-60W E27 827 ST64 CL G UE	64 mm	140 mm

Product	D	C
MAS LEDBulbND4-60W E27 827 G95 CL G UE	95 mm	140 mm
MAS LEDBulbND4-60W E27 840 G95 CL G UE	95 mm	140 mm

# MASTER UltraEfficient LED-lyspære

## Målskisse



Product	D	C
MAS LEDBulbND5.2-75W E27 840A70 CLG UE	70 mm	127 mm
MAS LEDBulbND7.3-100WE27830 A70 FRG UE	70 mm	127 mm
MAS LEDBulbND7.3-100WE27840 A70 CLG UE	70 mm	127 mm
MAS LEDBulbND7.3-100WE27840 A70 FRG UE	70 mm	127 mm

Product
MAS LEDBulb D 4-60W E27 827 A60 CL G UE
MAS LEDBulb D 4-60W E27 827 A60 FR G UE
MAS LEDBulb D 4-60W E27 830 A60 CL G UE
MAS LEDBulb D 4-60W E27 830 A60 FR G UE

### Generell informasjon

Sokkelbase	E27
Brytersyklus	50 000
Nominell levetid	50 000 time(r)

### Teknisk belysning

Fargegjengivelsesindeks (CRI)	80
Nominell vedlikeholdsfaktor for lyskildelumen ved utgangen av nominell levetid (nom.)	70 %

### Drift og elektronikk

Inngangsfrekvens	50 til 60 Hz
Line Frequency	50 to 60 Hz
Starttid (nom.)	0,5 s

### Mekanikk og innfatning

Lyspæreoverflate	Matt
------------------	------

## Teknisk belysning

Order Code	Full Product Name	Spredningsvinkel (nom.)	Korrelert		Lysytelse
			fargetemperatur (nom.)	Fargekode	
929003480502	MAS LEDBulbND5.2-75W E27 840A70 CLG UE	-	4000 K	840	1 095 lm
929003623902	MAS LEDBulbND4-60W E27 840 A60 CL G UE	-	4000 K	840	840 lm
929003623502	MAS LEDBulbND4-60W E27 827 A60 CL G UE	-	2700 K	827	840 lm
929003702902	MAS LEDBulbND4-60W E27 830 A60 CL G UE	-	3000 K	830	840 lm
929003066802	MAS LEDBulbND4-60W E27 840 A60 CL G EELA	-	4000 K	840	840 lm
929003642502	MAS LEDBulbND4-60W E27 827 G95 CL G UE	-	2700 K	827	840 lm
929003622902	MAS LEDBulbND2.3-40W E27 827 A60 FR G UE	-	2700 K	827	485 lm
929003623302	MAS LEDBulbND2.3-40W E27 840 A60 FR G UE	-	4000 K	840	485 lm
929003623702	MAS LEDBulbND4-60W E27 827 A60 FR G UE	-	2700 K	827	840 lm
929003624102	MAS LEDBulbND4-60W E27 840 A60 FR G UE	-	4000 K	840	840 lm
929003624502	MAS LEDBulbND5.2-75W E27 827 A60 FR G UE	-	2700 K	827	1 095 lm

# MASTER UltraEfficient LED-lyspære

Order Code	Full Product Name	Spredningsvinkel (nom.)	Korreleret		Lysytelse
			fargetemperatur (nom.)	Fargekode	
929003624902	MAS LEDBulbND5.2-75W E27 840 A60 FR G UE	-	4000 K	840	1 095 lm
929003625302	MAS LEDBulbND7.3-100W E27 827 A60 FR GUE	-	2700 K	827	1 535 lm
929003625702	MAS LEDBulbND7.3-100W E27 840 A60 FR GUE	-	4000 K	840	1 535 lm
929003702702	MAS LEDBulbND2.3-40W E27 830 A60 FR G UE	-	3000 K	830	485 lm
929003703102	MAS LEDBulbND4-60W E27 830 A60 FR G UE	-	3000 K	830	840 lm
929003703502	MAS LEDBulbND5.2-75W E27 830 A60 FR G UE	-	3000 K	830	1 095 lm
929003703902	MAS LEDBulbND7.3-100W E27 830 A60 FR GUE	-	3000 K	830	1 535 lm
929003624302	MAS LEDBulbND5.2-75W E27 827 A60 CL G UE	-	2700 K	827	1 095 lm
929003703302	MAS LEDBulbND5.2-75W E27 830 A60 CL G UE	-	3000 K	830	1 095 lm
929003625102	MAS LEDBulbND7.3-100W E27 827 A60 CL GUE	-	2700 K	827	1 535 lm
929003703702	MAS LEDBulbND7.3-100W E27 830 A60 CL GUE	-	3000 K	830	1 535 lm
929003480202	MAS LEDBulbND7.3-100WE27830 A70 FRG UE	-	3000 K	830	1 535 lm
929003480302	MAS LEDBulbND7.3-100WE27840 A70 FRG UE	-	4000 K	840	1 535 lm
929003642402	MAS LEDBulbND4-60W E27 827 ST64 CL G UE	-	2700 K	827	840 lm
929003480702	MAS LEDBulbND7.3-100WE27840 A70 CLG UE	-	4000 K	840	1 535 lm
929003624702	MAS LEDBulbND5.2-75W E27 840 A60 CL G UE	-	4000 K	840	1 095 lm
929003642602	MAS LEDBulbND4-60W E27 840 G95 CL G UE	-	4000 K	840	840 lm
929003691502	MAS LEDBulb D 4-60W E27 827 A60 CL G UE	300 grad(er)	2700 K	827	840 lm
929003691702	MAS LEDBulb D 4-60W E27 830 A60 CL G UE	300 grad(er)	3000 K	830	840 lm
929003625502	MAS LEDBulbND7.3-100W E27 840 A60 CL GUE	-	4000 K	840	1 535 lm
929003623102	MAS LEDBulbND2.3-40W E27 840 A60 CL G UE	-	4000 K	840	485 lm
929003622702	MAS LEDBulbND2.3-40W E27 827 A60 CL G UE	-	2700 K	827	485 lm
929003702502	MAS LEDBulbND2.3-40W E27 830 A60 CL G UE	-	3000 K	830	485 lm

## MASTER UltraEfficient LED-lyspære

Order Code	Full Product Name	Spredningsvinkel (nom.)	Korrelert		Fargekode	Lysytelse
			fargetemperatur (nom.)			
929003691602	MAS LEDBulb D 4-60W E27 827 A60 FR G UE	300 grad(er)	2700 K		827	840 lm
929003691802	MAS LEDBulb D 4-60W E27 830 A60 FR G UE	300 grad(er)	3000 K		830	840 lm
929003066502	MAS LEDBulbND2.3-40W E27840 A60CL G EELA	-	4000 K		840	485 lm

### Drift og elektronikk

Order Code	Full Product Name	Effektforbruk	Effekten som tilsvaret
929003480502	MAS LEDBulbND5.2-75W E27 840A70 CLG UE	5,2 W	75 W
929003623902	MAS LEDBulbND4-60W E27 840 A60 CL G UE	4 W	60 W
929003623502	MAS LEDBulbND4-60W E27 827 A60 CL G UE	4 W	60 W
929003702902	MAS LEDBulbND4-60W E27 830 A60 CL G UE	4 W	60 W
929003066802	MAS LEDBulbND4-60W E27 840 A60 CL G EELA	4 W	60 W
929003642502	MAS LEDBulbND4-60W E27 827 G95 CL G UE	4 W	60 W
929003622902	MAS LEDBulbND2.3-40W E27 827 A60 FR G UE	2,3 W	40 W
929003623302	MAS LEDBulbND2.3-40W E27 840 A60 FR G UE	2,3 W	40 W
929003623702	MAS LEDBulbND4-60W E27 827 A60 FR G UE	4 W	60 W
929003624102	MAS LEDBulbND4-60W E27 840 A60 FR G UE	4 W	60 W
929003624502	MAS LEDBulbND5.2-75W E27 827 A60 FR G UE	5,2 W	75 W
929003624902	MAS LEDBulbND5.2-75W E27 840 A60 FR G UE	5,2 W	75 W
929003625302	MAS LEDBulbND7.3-100W E27 827 A60 FR GUE	7,3 W	100 W
929003625702	MAS LEDBulbND7.3-100W E27 840 A60 FR GUE	7,3 W	100 W
929003702702	MAS LEDBulbND2.3-40W E27 830 A60 FR G UE	2,3 W	40 W
929003703102	MAS LEDBulbND4-60W E27 830 A60 FR G UE	4 W	60 W
929003703502	MAS LEDBulbND5.2-75W E27 830 A60 FR G UE	5,2 W	75 W
929003703902	MAS LEDBulbND7.3-100W E27 830 A60 FR GUE	7,3 W	100 W
929003624302	MAS LEDBulbND5.2-75W E27 827 A60 CL G UE	5,2 W	75 W

Order Code	Full Product Name	Effektforbruk	Effekten som tilsvaret
929003703302	MAS LEDBulbND5.2-75W E27 830 A60 CL G UE	5,2 W	75 W
929003625102	MAS LEDBulbND7.3-100W E27 827 A60 CL GUE	7,3 W	100 W
929003703702	MAS LEDBulbND7.3-100W E27 830 A60 CL GUE	7,3 W	100 W
929003480202	MAS LEDBulbND7.3-100WE27830 A70 FRG UE	7,3 W	100 W
929003480302	MAS LEDBulbND7.3-100WE27840 A70 FRG UE	7,3 W	100 W
929003642402	MAS LEDBulbND4-60W E27 827 ST64 CL G UE	4 W	60 W
929003480702	MAS LEDBulbND7.3-100WE27840 A70 CLG UE	7,3 W	100 W
929003624702	MAS LEDBulbND5.2-75W E27 840 A60 CL G UE	5,2 W	75 W
929003642602	MAS LEDBulbND4-60W E27 840 G95 CL G UE	4 W	60 W
929003691502	MAS LEDBulb D 4-60W E27 827 A60 CL G UE	4 W	60 W
929003691702	MAS LEDBulb D 4-60W E27 830 A60 CL G UE	4 W	60 W
929003625502	MAS LEDBulbND7.3-100W E27 840 A60 CL GUE	7,3 W	100 W
929003623102	MAS LEDBulbND2.3-40W E27 840 A60 CL G UE	2,3 W	40 W
929003622702	MAS LEDBulbND2.3-40W E27 827 A60 CL G UE	2,3 W	40 W
929003702502	MAS LEDBulbND2.3-40W E27 830 A60 CL G UE	2,3 W	40 W
929003691602	MAS LEDBulb D 4-60W E27 827 A60 FR G UE	4 W	60 W
929003691802	MAS LEDBulb D 4-60W E27 830 A60 FR G UE	4 W	60 W
929003066502	MAS LEDBulbND2.3-40W E27840 A60CL G EELA	2,3 W	40 W

# MASTER UltraEfficient LED-lyspære

## Temperatur

Order Code	Full Product Name	Maksimal temperatur for innfatningen (nom.)
929003480502	MAS LEDBulbND5.2-75W E27 840A70 CLG UE	70 °C
929003623902	MAS LEDBulbND4-60W E27 840 A60 CL G UE	70 °C
929003623502	MAS LEDBulbND4-60W E27 827 A60 CL G UE	70 °C
929003702902	MAS LEDBulbND4-60W E27 830 A60 CL G UE	70 °C
929003066802	MAS LEDBulbND4-60W E27 840 A60 CL G EELA	35 °C
929003642502	MAS LEDBulbND4-60W E27 827 G95 CL G UE	70 °C
929003622902	MAS LEDBulbND2.3-40W E27 827 A60 FR G UE	70 °C
929003623302	MAS LEDBulbND2.3-40W E27 840 A60 FR G UE	70 °C
929003623702	MAS LEDBulbND4-60W E27 827 A60 FR G UE	70 °C
929003624102	MAS LEDBulbND4-60W E27 840 A60 FR G UE	70 °C
929003624502	MAS LEDBulbND5.2-75W E27 827 A60 FR G UE	70 °C
929003624902	MAS LEDBulbND5.2-75W E27 840 A60 FR G UE	70 °C
929003625302	MAS LEDBulbND7.3-100W E27 827 A60 FR GUE	70 °C
929003625702	MAS LEDBulbND7.3-100W E27 840 A60 FR GUE	70 °C
929003702702	MAS LEDBulbND2.3-40W E27 830 A60 FR G UE	70 °C
929003703102	MAS LEDBulbND4-60W E27 830 A60 FR G UE	70 °C
929003703502	MAS LEDBulbND5.2-75W E27 830 A60 FR G UE	70 °C
929003703902	MAS LEDBulbND7.3-100W E27 830 A60 FR GUE	70 °C
929003624302	MAS LEDBulbND5.2-75W E27 827 A60 CL G UE	70 °C

Order Code	Full Product Name	Maksimal temperatur for innfatningen (nom.)
929003703302	MAS LEDBulbND5.2-75W E27 830 A60 CL G UE	70 °C
929003625102	MAS LEDBulbND7.3-100W E27 827 A60 CL GUE	70 °C
929003703702	MAS LEDBulbND7.3-100W E27 830 A60 CL GUE	70 °C
929003480202	MAS LEDBulbND7.3-100WE27830 A70 FRG UE	70 °C
929003480302	MAS LEDBulbND7.3-100WE27840 A70 FRG UE	70 °C
929003642402	MAS LEDBulbND4-60W E27 827 ST64 CL G UE	70 °C
929003480702	MAS LEDBulbND7.3-100WE27840 A70 CLG UE	70 °C
929003624702	MAS LEDBulbND5.2-75W E27 840 A60 CL G UE	70 °C
929003642602	MAS LEDBulbND4-60W E27 840 G95 CL G UE	70 °C
929003691502	MAS LEDBulb D 4-60W E27 827 A60 CL G UE	70 °C
929003691702	MAS LEDBulb D 4-60W E27 830 A60 CL G UE	70 °C
929003625502	MAS LEDBulbND7.3-100W E27 840 A60 CL GUE	70 °C
929003623102	MAS LEDBulbND2.3-40W E27 840 A60 CL G UE	70 °C
929003622702	MAS LEDBulbND2.3-40W E27 827 A60 CL G UE	70 °C
929003702502	MAS LEDBulbND2.3-40W E27 830 A60 CL G UE	70 °C
929003691602	MAS LEDBulb D 4-60W E27 827 A60 FR G UE	70 °C
929003691802	MAS LEDBulb D 4-60W E27 830 A60 FR G UE	70 °C
929003066502	MAS LEDBulbND2.3-40W E27840 A60CL G EELA	35 °C

## Kontroller og dimming

Order Code	Full Product Name	Kan dimmes
929003480502	MAS LEDBulbND5.2-75W E27 840A70 CLG UE	Nei
929003623902	MAS LEDBulbND4-60W E27 840 A60 CL G UE	Nei
929003623502	MAS LEDBulbND4-60W E27 827 A60 CL G UE	Nei
929003702902	MAS LEDBulbND4-60W E27 830 A60 CL G UE	Nei
929003066802	MAS LEDBulbND4-60W E27 840 A60 CL G EELA	Nei
929003642502	MAS LEDBulbND4-60W E27 827 G95 CL G UE	Nei
929003622902	MAS LEDBulbND2.3-40W E27 827 A60 FR G UE	Nei
929003623302	MAS LEDBulbND2.3-40W E27 840 A60 FR G UE	Nei
929003623702	MAS LEDBulbND4-60W E27 827 A60 FR G UE	Nei
929003624102	MAS LEDBulbND4-60W E27 840 A60 FR G UE	Nei
929003624502	MAS LEDBulbND5.2-75W E27 827 A60 FR G UE	Nei
929003624902	MAS LEDBulbND5.2-75W E27 840 A60 FR G UE	Nei
929003625302	MAS LEDBulbND7.3-100W E27 827 A60 FR GUE	Nei
929003625702	MAS LEDBulbND7.3-100W E27 840 A60 FR GUE	Nei
929003702702	MAS LEDBulbND2.3-40W E27 830 A60 FR G UE	Nei
929003703102	MAS LEDBulbND4-60W E27 830 A60 FR G UE	Nei
929003703502	MAS LEDBulbND5.2-75W E27 830 A60 FR G UE	Nei
929003703902	MAS LEDBulbND7.3-100W E27 830 A60 FR GUE	Nei
929003624302	MAS LEDBulbND5.2-75W E27 827 A60 CL G UE	Nei
929003703302	MAS LEDBulbND5.2-75W E27 830 A60 CL G UE	Nei
929003625102	MAS LEDBulbND7.3-100W E27 827 A60 CL GUE	Nei

Order Code	Full Product Name	Kan dimmes
929003703702	MAS LEDBulbND7.3-100W E27 830 A60 CL GUE	Nei
929003480202	MAS LEDBulbND7.3-100WE27830 A70 FRG UE	Nei
929003480302	MAS LEDBulbND7.3-100WE27840 A70 FRG UE	Nei
929003642402	MAS LEDBulbND4-60W E27 827 ST64 CL G UE	Nei
929003480702	MAS LEDBulbND7.3-100WE27840 A70 CLG UE	Nei
929003624702	MAS LEDBulbND5.2-75W E27 840 A60 CL G UE	Nei
929003642602	MAS LEDBulbND4-60W E27 840 G95 CL G UE	Nei
929003691502	MAS LEDBulb D 4-60W E27 827 A60 CL G UE	Kun med bestemte dimmere
929003691702	MAS LEDBulb D 4-60W E27 830 A60 CL G UE	Kun med bestemte dimmere
929003625502	MAS LEDBulbND7.3-100W E27 840 A60 CL GUE	Nei
929003623102	MAS LEDBulbND2.3-40W E27 840 A60 CL G UE	Nei
929003622702	MAS LEDBulbND2.3-40W E27 827 A60 CL G UE	Nei
929003702502	MAS LEDBulbND2.3-40W E27 830 A60 CL G UE	Nei
929003691602	MAS LEDBulb D 4-60W E27 827 A60 FR G UE	Kun med bestemte dimmere
929003691802	MAS LEDBulb D 4-60W E27 830 A60 FR G UE	Kun med bestemte dimmere
929003066502	MAS LEDBulbND2.3-40W E27840 A60CL G EELA	Nei

## Mekanikk og innfatning

## MASTER UltraEfficient LED-lyspære

Order Code	Full Product Name	Lyspæreform
929003480502	MAS LEDBulbND5.2-75W E27 840A70 CLG UE	A70
929003623902	MAS LEDBulbND4-60W E27 840 A60 CL G UE	A60
929003623502	MAS LEDBulbND4-60W E27 827 A60 CL G UE	A60
929003702902	MAS LEDBulbND4-60W E27 830 A60 CL G UE	A60
929003066802	MAS LEDBulbND4-60W E27 840 A60 CL G EELA	A60
929003642502	MAS LEDBulbND4-60W E27 827 G95 CL G UE	G95
929003622902	MAS LEDBulbND2.3-40W E27 827 A60 FR G UE	A60
929003623302	MAS LEDBulbND2.3-40W E27 840 A60 FR G UE	A60
929003623702	MAS LEDBulbND4-60W E27 827 A60 FR G UE	A60
929003624102	MAS LEDBulbND4-60W E27 840 A60 FR G UE	A60
929003624502	MAS LEDBulbND5.2-75W E27 827 A60 FR G UE	A60
929003624902	MAS LEDBulbND5.2-75W E27 840 A60 FR G UE	A60
929003625302	MAS LEDBulbND7.3-100W E27 827 A60 FR GUE	A60
929003625702	MAS LEDBulbND7.3-100W E27 840 A60 FR GUE	A60
929003702702	MAS LEDBulbND2.3-40W E27 830 A60 FR G UE	A60
929003703102	MAS LEDBulbND4-60W E27 830 A60 FR G UE	A60
929003703502	MAS LEDBulbND5.2-75W E27 830 A60 FR G UE	A60
929003703902	MAS LEDBulbND7.3-100W E27 830 A60 FR GUE	A60
929003624302	MAS LEDBulbND5.2-75W E27 827 A60 CL G UE	A60

Order Code	Full Product Name	Lyspæreform
929003703302	MAS LEDBulbND5.2-75W E27 830 A60 CL G UE	A60
929003625102	MAS LEDBulbND7.3-100W E27 827 A60 CL GUE	A60
929003703702	MAS LEDBulbND7.3-100W E27 830 A60 CL GUE	A60
929003480202	MAS LEDBulbND7.3-100WE27830 A70 FRG UE	A70
929003480302	MAS LEDBulbND7.3-100WE27840 A70 FRG UE	A70
929003642402	MAS LEDBulbND4-60W E27 827 ST64 CL G UE	ST64
929003480702	MAS LEDBulbND7.3-100WE27840 A70 CLG UE	A70
929003624702	MAS LEDBulbND5.2-75W E27 840 A60 CL G UE	A60
929003642602	MAS LEDBulbND4-60W E27 840 G95 CL G UE	G95
929003691502	MAS LEDBulb D 4-60W E27 827 A60 CL G UE	A60
929003691702	MAS LEDBulb D 4-60W E27 830 A60 CL G UE	A60
929003625502	MAS LEDBulbND7.3-100W E27 840 A60 CL GUE	A60
929003623102	MAS LEDBulbND2.3-40W E27 840 A60 CL G UE	A60
929003622702	MAS LEDBulbND2.3-40W E27 827 A60 CL G UE	A60
929003702502	MAS LEDBulbND2.3-40W E27 830 A60 CL G UE	A60
929003691602	MAS LEDBulb D 4-60W E27 827 A60 FR G UE	A60
929003691802	MAS LEDBulb D 4-60W E27 830 A60 FR G UE	A60
929003066502	MAS LEDBulbND2.3-40W E27840 A60CL G EELA	A60

### Godkjenning og bruksområde

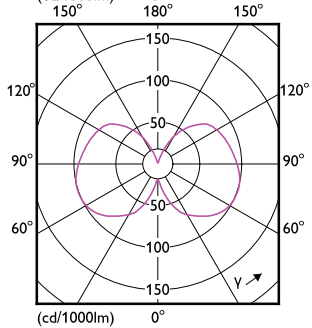
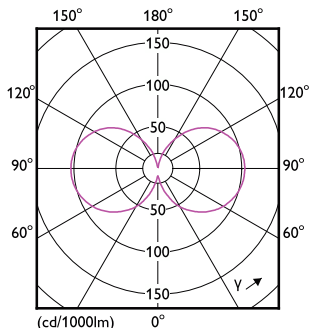
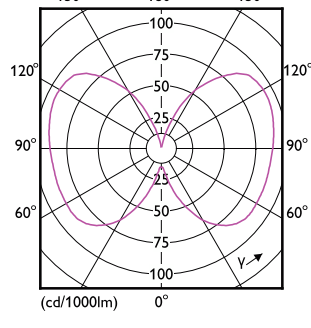
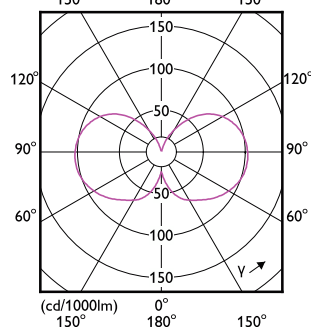
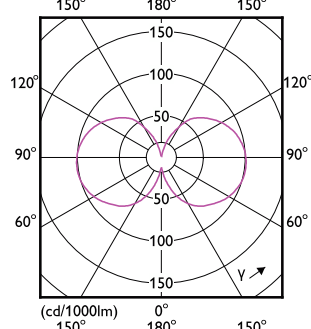
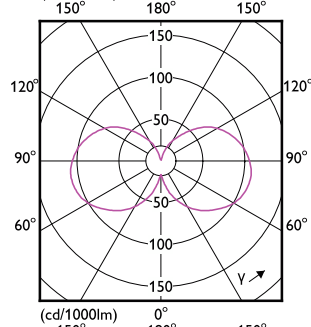
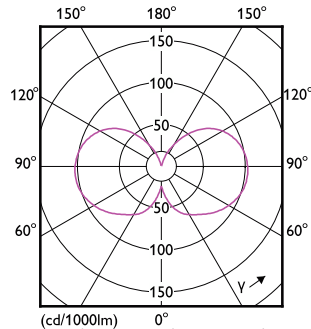
Order Code	Full Product Name	For omgivelsestemperaturer mellom	Energiforbruk kWh/1000 t
929003480502	MAS LEDBulbND5.2-75W E27 840A70 CLG UE	-	6 kWh
929003623902	MAS LEDBulbND4-60W E27 840 A60 CL G UE	-20 til +45 °C	4 kWh
929003623502	MAS LEDBulbND4-60W E27 827 A60 CL G UE	-20 til +45 °C	4 kWh
929003702902	MAS LEDBulbND4-60W E27 830 A60 CL G UE	-20 til +45 °C	4 kWh
929003066802	MAS LEDBulbND4-60W E27 840 A60 CL G EELA	-	4 kWh
929003642502	MAS LEDBulbND4-60W E27 827 G95 CL G UE	-20 til +45 °C	4 kWh
929003622902	MAS LEDBulbND2.3-40W E27 827 A60 FR G UE	-20 til +45 °C	3 kWh
929003623302	MAS LEDBulbND2.3-40W E27 840 A60 FR G UE	-20 til +45 °C	3 kWh
929003623702	MAS LEDBulbND4-60W E27 827 A60 FR G UE	-20 til +45 °C	4 kWh
929003624102	MAS LEDBulbND4-60W E27 840 A60 FR G UE	-20 til +45 °C	4 kWh
929003624502	MAS LEDBulbND5.2-75W E27 827 A60 FR G UE	-20 til +45 °C	6 kWh
929003624902	MAS LEDBulbND5.2-75W E27 840 A60 FR G UE	-20 til +45 °C	6 kWh
929003625302	MAS LEDBulbND7.3-100W E27 827 A60 FR GUE	-20 til +45 °C	8 kWh

Order Code	Full Product Name	For omgivelsestemperaturer mellom	Energiforbruk kWh/1000 t
929003625702	MAS LEDBulbND7.3-100W E27 840 A60 FR GUE	-20 til +45 °C	8 kWh
929003702702	MAS LEDBulbND2.3-40W E27 830 A60 FR G UE	-20 til +45 °C	3 kWh
929003703102	MAS LEDBulbND4-60W E27 830 A60 FR G UE	-20 til +45 °C	4 kWh
929003703502	MAS LEDBulbND5.2-75W E27 830 A60 FR G UE	-20 til +45 °C	6 kWh
929003703902	MAS LEDBulbND7.3-100W E27 830 A60 FR GUE	-20 til +45 °C	8 kWh
929003624302	MAS LEDBulbND5.2-75W E27 827 A60 CL G UE	-20 til +45 °C	6 kWh
929003703302	MAS LEDBulbND5.2-75W E27 830 A60 CL G UE	-20 til +45 °C	6 kWh
929003625102	MAS LEDBulbND7.3-100W E27 827 A60 CL GUE	-20 til +45 °C	8 kWh
929003703702	MAS LEDBulbND7.3-100W E27 830 A60 CL GUE	-20 til +45 °C	8 kWh
929003480202	MAS LEDBulbND7.3-100WE27830 A70 FRG UE	-	8 kWh
929003480302	MAS LEDBulbND7.3-100WE27840 A70 FRG UE	-	8 kWh
929003642402	MAS LEDBulbND4-60W E27 827 ST64 CL G UE	-20 til +45 °C	4 kWh

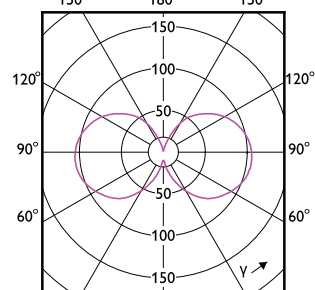
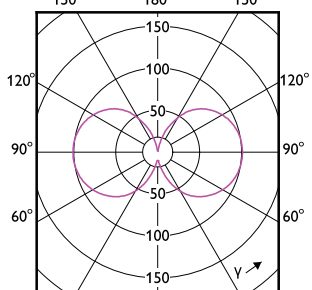
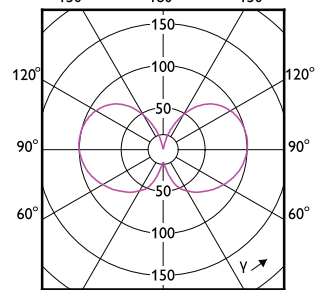
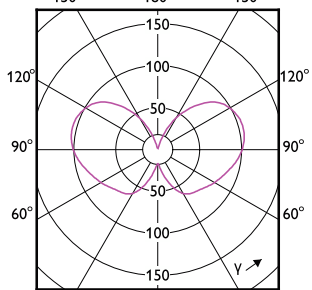
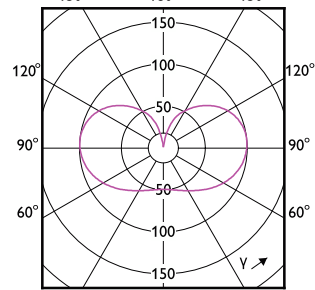
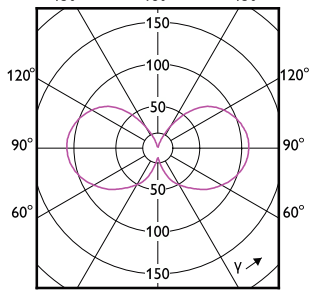
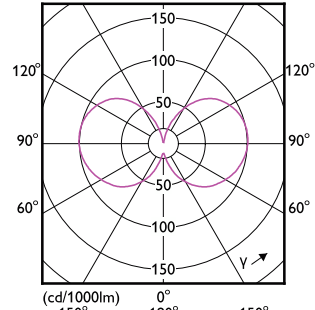
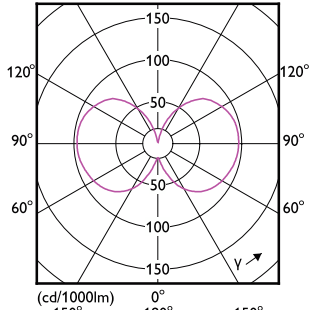
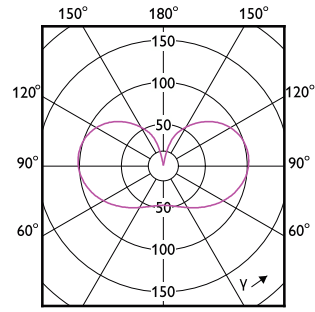
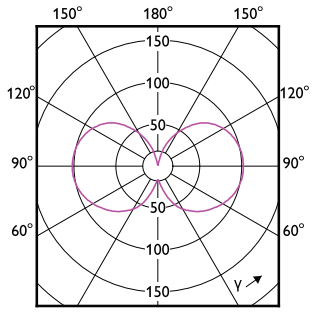


# MASTER UltraEfficient LED-lyspære

Order Code	Full Product Name	For	
		omgivelsestemperaturer mellom	Energiforbruk kWh/1000 t
929003480702	MAS LEDBulbND7.3-100WE27840 A70 CLG UE	-	8 kWh
929003624702	MAS LEDBulbND5.2-75W E27 840 A60 CL G UE	-20 til +45 °C	6 kWh
929003642602	MAS LEDBulbND4-60W E27 840 G95 CL G UE	-20 til +45 °C	4 kWh
929003691502	MAS LEDBulb D 4-60W E27 827 A60 CL G UE	-20 til +45 °C	4 kWh
929003691702	MAS LEDBulb D 4-60W E27 830 A60 CL G UE	-20 til +45 °C	4 kWh
929003625502	MAS LEDBulbND7.3-100W E27 840 A60 CL G UE	-20 til +45 °C	8 kWh
929003623102	MAS LEDBulbND2.3-40W E27 840 A60 CL G UE	-20 til +45 °C	3 kWh
929003622702	MAS LEDBulbND2.3-40W E27 827 A60 CL G UE	-20 til +45 °C	3 kWh
929003702502	MAS LEDBulbND2.3-40W E27 830 A60 CL G UE	-20 til +45 °C	3 kWh
929003691602	MAS LEDBulb D 4-60W E27 827 A60 FR G UE	-20 til +45 °C	4 kWh
929003691802	MAS LEDBulb D 4-60W E27 830 A60 FR G UE	-20 til +45 °C	4 kWh
929003066502	MAS LEDBulbND2.3-40W E27840 A60CL G EELA	-	3 kWh



# MASTER UltraEfficient LED-lyspære



# MASTER UltraEfficient LED-lyspære

