



Nuestra lámpara LED más eficiente

Lámpara MASTER UltraEfficient LED

Esta es la lámpara LED más eficiente de la marca Philips. Con 210 lm/W que contribuyen al cumplimiento la declaración de sostenibilidad de la empresa. La vida útil de 50.000 horas ayuda a prolongar el ciclo de sustitución para reducir los residuos. Esto no es solo producto de las altas especificaciones, sino también de mantener la calidad de luz de la marca Philips

Beneficios

- ahorro energético, un 60 % menos de energía en comparación con las bombillas LED Philips estándar
- Vida útil muy prolongada que reduce la necesidad de sustitución
- Sustitución sencilla de lámparas convencionales

Características

- Energéticamente ultraeficiente, con 210 lm/W
- Larga vida útil, duración más de tres veces superior que los productos LED normales
- Aspecto muy optimizado, sin impacto en la aplicación. Fácil instalación
- Diseñadas para ser vistas, encendidas y apagadas
- Respetuosa con el medio ambiente: no contiene mercurio ni otras sustancias peligrosas

Aplicaciones

- Aplicaciones domésticas
- Hostelería: hoteles y restaurantes

Lámpara MASTER UltraEfficient LED

Versions



LED CLA 60W A60 E27 4000K CL UE SRT4



LEDbulb MAS EU A60 E27 CL 4



LED CLA 60W G95 E27 2700K CL UE SRT4



LEDbulb MAS EU A60 E27 CL 1



LED CLA 100WA60 E27 2700K CL UE SRT4



LED CLA 100W A70 E27 3000K FR UE SRT4



LED CLA 60W ST64 E27 2700K CL UE SRT4



LED CLA 75W A60 E27 4000K CL UE SRT4



LED CLA 60W G95 E27 4000K CL UE SRT4



LEDbulb MAS EU6 A60 E27 CL



LED CLA 100WA60 E27 4000K CL UE SRT4



LED CLA 40W A60 E27 4000K CL UE SRT4



LED CLA 40W A60 E27 2700K CL UE SRT4



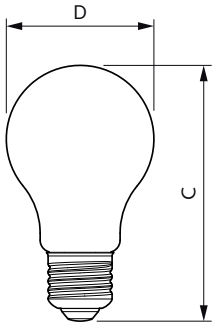
LEDbulb MAS EU6 A60 E27 FR



LEDbulb MAS EU A60 E27 CL 2

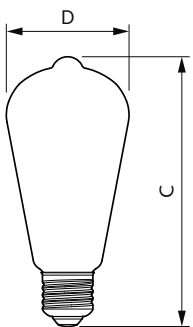
Lámpara MASTER UltraEfficient LED

Plano de dimensiones



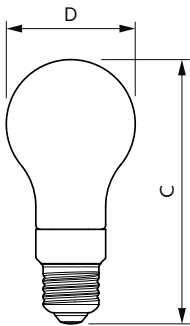
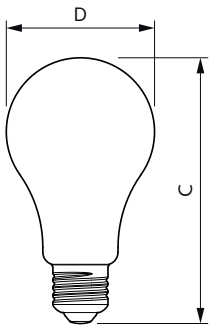
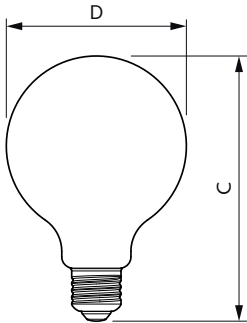
Product	D	C
MAS LEDBulbND2.3-40W E27 827 A60 CL G UE	60 mm	104 mm
MAS LEDBulbND2.3-40W E27 827 A60 FR G UE	60 mm	104 mm
MAS LEDBulbND2.3-40W E27 830 A60 CL G UE	60 mm	104 mm
MAS LEDBulbND2.3-40W E27 830 A60 FR G UE	60 mm	104 mm
MAS LEDBulbND2.3-40W E27 840 A60 CL G UE	60 mm	104 mm
MAS LEDBulbND2.3-40W E27 840 A60 FR G UE	60 mm	104 mm
MAS LEDBulbND2.3-40W E27830 A60CL G EELA	60 mm	105 mm
MAS LEDBulbND2.3-40W E27840 A60CL G EELA	60 mm	105 mm
MAS LEDBulbND4-60W E27 827 A60 CL G UE	60 mm	104 mm
MAS LEDBulbND4-60W E27 827 A60 FR G UE	60 mm	104 mm
MAS LEDBulbND4-60W E27 830 A60 CL G UE	60 mm	104 mm
MAS LEDBulbND4-60W E27 830 A60 FR G UE	60 mm	104 mm
MAS LEDBulbND4-60W E27 830 A60 FR G UE	60 mm	105 mm
MAS LEDBulbND4-60W E27 840 A60 CL G EELA	60 mm	105 mm
MAS LEDBulbND4-60W E27 840 A60 CL G UE	60 mm	104 mm
MAS LEDBulbND4-60W E27 840 A60 FR G UE	60 mm	104 mm
MAS LEDBulbND4-60W E27 840 A60 FR G UE	60 mm	105 mm
MAS LEDBulbND5.2-75W E27 827 A60 CL G UE	60 mm	104 mm
MAS LEDBulbND5.2-75W E27 827 A60 FR G UE	60 mm	104 mm
MAS LEDBulbND5.2-75W E27 830 A60 CL G UE	60 mm	104 mm
MAS LEDBulbND5.2-75W E27 830 A60 FR G UE	60 mm	104 mm
MAS LEDBulbND5.2-75W E27 840 A60 CL G UE	60 mm	104 mm
MAS LEDBulbND5.2-75W E27 840 A60 FR G UE	60 mm	104 mm
MAS LEDBulbND7.3-100W E27 827 A60 CL G UE	60 mm	104 mm
MAS LEDBulbND7.3-100W E27 827 A60 FR G UE	60 mm	104 mm
MAS LEDBulbND7.3-100W E27 830 A60 CL G UE	60 mm	104 mm
MAS LEDBulbND7.3-100W E27 830 A60 FR G UE	60 mm	104 mm
MAS LEDBulbND7.3-100W E27 840 A60 CL G UE	60 mm	104 mm
MAS LEDBulbND7.3-100W E27 840 A60 FR G UE	60 mm	104 mm

Product	D	C
MAS LEDBulbND4-60W E27 827 ST64 CL G UE	64 mm	140 mm



Lámpara MASTER UltraEfficient LED

Plano de dimensiones



Product	D	C
MAS LEDBulbND4-60W E27 827 G95 CL G UE	95 mm	140 mm
MAS LEDBulbND4-60W E27 840 G95 CL G UE	95 mm	140 mm

Product	D	C
MAS LEDBulbND5.2-75W E27 830A70 CLG UE	70 mm	127 mm
MAS LEDBulbND5.2-75W E27 840A70 CLG UE	70 mm	127 mm
MAS LEDBulbND7.3-100WE27830 A70 CLG UE	70 mm	127 mm
MAS LEDBulbND7.3-100WE27830 A70 FRG UE	70 mm	127 mm
MAS LEDBulbND7.3-100WE27840 A70 CLG UE	70 mm	127 mm
MAS LEDBulbND7.3-100WE27840 A70 FRG UE	70 mm	127 mm

Product
MAS LEDBulb D 4-60W E27 827 A60 CL G UE
MAS LEDBulb D 4-60W E27 827 A60 FR G UE
MAS LEDBulb D 4-60W E27 830 A60 CL G UE
MAS LEDBulb D 4-60W E27 830 A60 FR G UE

Información general

Base del casquillo	E27
Ciclo de encendido/apagado	50.000
Vida útil nominal	50.000 hora(s)

Datos técnicos de la luz

Índice de reproducción cromática (IRC)	80
LLMF al fin de vida útil nominal (nom.)	70 %

Operativos y eléctricos

Frecuencia de entrada	50 a 60 Hz
Line Frequency	50 to 60 Hz
Hora de inicio (nom.)	0,5 s

Datos técnicos de la luz

Order Code	Full Product Name	Ángulo de haz (nom.)	Temperatura de color correlacionada (Nom)	Código de color	Flujo luminoso
43587200	MAS LEDBulbND5.2-75W E27 830A70 CLG UE	-	3000 K	830	1.095 lm
43589600	MAS LEDBulbND5.2-75W E27 840A70 CLG UE	-	4000 K	840	1.095 lm
18853200	MAS LEDBulbND4-60W E27 840 A60 CL G UE	-	4000 K	840	840 lm
18845700	MAS LEDBulbND4-60W E27 827 A60 CL G UE	-	2700 K	827	840 lm
25412100	MAS LEDBulbND4-60W E27 830 A60 CL G UE	-	3000 K	830	840 lm

Lámpara MASTER UltraEfficient LED

Order Code	Full Product Name	Ángulo de haz (nom.)	Temperatura de color correlacionada (Nom)	Código de color	Flujo luminoso
42079300	MAS LEDBulbND4-60W E27 840 A60 CL G EELA	-	4000 K	840	840 lm
20276400	MAS LEDBulbND4-60W E27 827 G95 CL G UE	-	2700 K	827	840 lm
42073100	MAS LEDBulbND2.3-40W E27830 A60CL G EELA	-	3000 K	830	485 lm
43579700	MAS LEDBulbND4-60W E27 830 A60 FR G UE	-	3000 K	830	840 lm
43581000	MAS LEDBulbND4-60W E27 840 A60 FR G UE	-	4000 K	840	840 lm
18833400	MAS LEDBulbND2.3-40W E27 827 A60 FR G UE	-	2700 K	827	485 lm
18841900	MAS LEDBulbND2.3-40W E27 840 A60 FR G UE	-	4000 K	840	485 lm
18849500	MAS LEDBulbND4-60W E27 827 A60 FR G UE	-	2700 K	827	840 lm
28428900	MAS LEDBulbND4-60W E27 840 A60 FR G UE	-	4000 K	840	840 lm
18865500	MAS LEDBulbND5.2-75W E27 827 A60 FR G UE	-	2700 K	827	1.095 lm
18873000	MAS LEDBulbND5.2-75W E27 840 A60 FR G UE	-	4000 K	840	1.095 lm
18881500	MAS LEDBulbND7.3-100W E27 827 A60 FR GUE	-	2700 K	827	1.535 lm
18889100	MAS LEDBulbND7.3-100W E27 840 A60 FR GUE	-	4000 K	840	1.535 lm
25408400	MAS LEDBulbND2.3-40W E27 830 A60 FR G UE	-	3000 K	830	485 lm
25416900	MAS LEDBulbND4-60W E27 830 A60 FR G UE	-	3000 K	830	840 lm
25424400	MAS LEDBulbND5.2-75W E27 830 A60 FR G UE	-	3000 K	830	1.095 lm
25432900	MAS LEDBulbND7.3-100W E27 830 A60 FR GUE	-	3000 K	830	1.535 lm
18861700	MAS LEDBulbND5.2-75W E27 827 A60 CL G UE	-	2700 K	827	1.095 lm
25420600	MAS LEDBulbND5.2-75W E27 830 A60 CL G UE	-	3000 K	830	1.095 lm
18877800	MAS LEDBulbND7.3-100W E27 827 A60 CL GUE	-	2700 K	827	1.535 lm
25428200	MAS LEDBulbND7.3-100W E27 830 A60 CL GUE	-	3000 K	830	1.535 lm
43583400	MAS LEDBulbND7.3-100WE27830 A70 FRG UE	-	3000 K	830	1.535 lm
43585800	MAS LEDBulbND7.3-100WE27840 A70 FRG UE	-	4000 K	840	1.535 lm
20274000	MAS LEDBulbND4-60W E27 827 ST64 CL G UE	-	2700 K	827	840 lm

Lámpara MASTER UltraEfficient LED

Order Code	Full Product Name	Ángulo de haz (nom.)	Temperatura de color		
			correlacionada (Nom)	Código de color	Flujo luminoso
43591900	MAS LEDBulbND7.3-100WE27830 A70 CLG UE	-	3000 K	830	1.535 lm
43593300	MAS LEDBulbND7.3-100WE27840 A70 CLG UE	-	4000 K	840	1.535 lm
18869300	MAS LEDBulbND5.2-75W E27 840 A60 CL G UE	-	4000 K	840	1.095 lm
20278800	MAS LEDBulbND4-60W E27 840 G95 CL G UE	-	4000 K	840	840 lm
24864900	MAS LEDBulb D 4-60W E27 827 A60 CL G UE	300 °	2700 K	827	840 lm
24868700	MAS LEDBulb D 4-60W E27 830 A60 CL G UE	300 °	3000 K	830	840 lm
18885300	MAS LEDBulbND7.3-100W E27 840 A60 CL GUE	-	4000 K	840	1.535 lm
18837200	MAS LEDBulbND2.3-40W E27 840 A60 CL G UE	-	4000 K	840	485 lm
18829700	MAS LEDBulbND2.3-40W E27 827 A60 CL G UE	-	2700 K	827	485 lm
25404600	MAS LEDBulbND2.3-40W E27 830 A60 CL G UE	-	3000 K	830	485 lm
24866300	MAS LEDBulb D 4-60W E27 827 A60 FR G UE	300 °	2700 K	827	840 lm
24870000	MAS LEDBulb D 4-60W E27 830 A60 FR G UE	300 °	3000 K	830	840 lm
42075500	MAS LEDBulbND2.3-40W E27840 A60CL G EELA	-	4000 K	840	485 lm

Operativos y eléctricos

Order Code	Full Product Name	Consumo de energía	Equivalente de potencia
43587200	MAS LEDBulbND5.2-75W E27 830A70 CLG UE	5,2 W	75 W
43589600	MAS LEDBulbND5.2-75W E27 840A70 CLG UE	5,2 W	75 W
18853200	MAS LEDBulbND4-60W E27 840 A60 CL G UE	4 W	60 W
18845700	MAS LEDBulbND4-60W E27 827 A60 CL G UE	4 W	60 W
25412100	MAS LEDBulbND4-60W E27 830 A60 CL G UE	4 W	60 W
42079300	MAS LEDBulbND4-60W E27 840 A60 CL G EELA	4 W	60 W
20276400	MAS LEDBulbND4-60W E27 827 G95 CL G UE	4 W	60 W
42073100	MAS LEDBulbND2.3-40W E27830 A60CL G EELA	2,3 W	40 W
43579700	MAS LEDBulbND4-60W E27 830 A60 FR G UE	4 W	60 W

Order Code	Full Product Name	Consumo de energía	Equivalente de potencia
43581000	MAS LEDBulbND4-60W E27 840 A60 FR G UE	4 W	60 W
18833400	MAS LEDBulbND2.3-40W E27 827 A60 FR G UE	2,3 W	40 W
18841900	MAS LEDBulbND2.3-40W E27 840 A60 FR G UE	2,3 W	40 W
18849500	MAS LEDBulbND4-60W E27 827 A60 FR G UE	4 W	60 W
28428900	MAS LEDBulbND4-60W E27 840 A60 FR G UE	4 W	60 W
18865500	MAS LEDBulbND5.2-75W E27 827 A60 FR G UE	5,2 W	75 W
18873000	MAS LEDBulbND5.2-75W E27 840 A60 FR G UE	5,2 W	75 W
18881500	MAS LEDBulbND7.3-100W E27 827 A60 FR GUE	7,3 W	100 W
18889100	MAS LEDBulbND7.3-100W E27 840 A60 FR GUE	7,3 W	100 W

Lámpara MASTER UltraEfficient LED

Order Code	Full Product Name	Consumo de energía	Equivalente de potencia
25408400	MAS LEDBulbND2.3-40W E27 830 A60 FR G UE	2,3 W	40 W
25416900	MAS LEDBulbND4-60W E27 830 A60 FR G UE	4 W	60 W
25424400	MAS LEDBulbND5.2-75W E27 830 A60 FR G UE	5,2 W	75 W
25432900	MAS LEDBulbND7.3-100W E27 830 A60 FR G UE	7,3 W	100 W
18861700	MAS LEDBulbND5.2-75W E27 827 A60 CL G UE	5,2 W	75 W
25420600	MAS LEDBulbND5.2-75W E27 830 A60 CL G UE	5,2 W	75 W
18877800	MAS LEDBulbND7.3-100W E27 827 A60 CL G UE	7,3 W	100 W
25428200	MAS LEDBulbND7.3-100W E27 830 A60 CL G UE	7,3 W	100 W
43583400	MAS LEDBulbND7.3-100WE27830 A70 FR G UE	7,3 W	100 W
43585800	MAS LEDBulbND7.3-100WE27840 A70 FR G UE	7,3 W	100 W
20274000	MAS LEDBulbND4-60W E27 827 ST64 CL G UE	4 W	60 W
43591900	MAS LEDBulbND7.3-100WE27830 A70 CL G UE	7,3 W	100 W

Order Code	Full Product Name	Consumo de energía	Equivalente de potencia
43593300	MAS LEDBulbND7.3-100WE27840 A70 CLG UE	7,3 W	100 W
18869300	MAS LEDBulbND5.2-75W E27 840 A60 CL G UE	5,2 W	75 W
20278800	MAS LEDBulbND4-60W E27 840 G95 CL G UE	4 W	60 W
24864900	MAS LEDBulb D 4-60W E27 827 A60 CL G UE	4 W	60 W
24868700	MAS LEDBulb D 4-60W E27 830 A60 CL G UE	4 W	60 W
18885300	MAS LEDBulbND7.3-100W E27 840 A60 CL G UE	7,3 W	100 W
18837200	MAS LEDBulbND2.3-40W E27 840 A60 CL G UE	2,3 W	40 W
18829700	MAS LEDBulbND2.3-40W E27 827 A60 CL G UE	2,3 W	40 W
25404600	MAS LEDBulbND2.3-40W E27 830 A60 CL G UE	2,3 W	40 W
24866300	MAS LEDBulb D 4-60W E27 827 A60 FR G UE	4 W	60 W
24870000	MAS LEDBulb D 4-60W E27 830 A60 FR G UE	4 W	60 W
42075500	MAS LEDBulbND2.3-40W E27840 A60CL G EELA	2,3 W	40 W

Temperatura

Order Code	Full Product Name	Rango de temperatura ambiente	Temperatura máxima (nom.)
43587200	MAS LEDBulbND5.2-75W E27 830A70 CLG UE	-	70 °C
43589600	MAS LEDBulbND5.2-75W E27 840A70 CLG UE	-	70 °C
18853200	MAS LEDBulbND4-60W E27 840 A60 CL G UE	-20 °C a +45 °C	70 °C
18845700	MAS LEDBulbND4-60W E27 827 A60 CL G UE	-20 °C a +45 °C	70 °C
25412100	MAS LEDBulbND4-60W E27 830 A60 CL G UE	-20 °C a +45 °C	70 °C
42079300	MAS LEDBulbND4-60W E27 840 A60 CL G EELA	-	35 °C
20276400	MAS LEDBulbND4-60W E27 827 G95 CL G UE	-20 °C a +45 °C	70 °C
42073100	MAS LEDBulbND2.3-40W E27830 A60CL G EELA	-	35 °C
43579700	MAS LEDBulbND4-60W E27 830 A60 FR G UE	-	70 °C
43581000	MAS LEDBulbND4-60W E27 840 A60 FR G UE	-	70 °C

Order Code	Full Product Name	Rango de temperatura ambiente	Temperatura máxima (nom.)
18833400	MAS LEDBulbND2.3-40W E27 827 A60 FR G UE	-20 °C a +45 °C	70 °C
18841900	MAS LEDBulbND2.3-40W E27 840 A60 FR G UE	-20 °C a +45 °C	70 °C
18849500	MAS LEDBulbND4-60W E27 827 A60 FR G UE	-20 °C a +45 °C	70 °C
28428900	MAS LEDBulbND4-60W E27 840 A60 FR G UE	-20 °C a +45 °C	70 °C
18865500	MAS LEDBulbND5.2-75W E27 827 A60 FR G UE	-20 °C a +45 °C	70 °C
18873000	MAS LEDBulbND5.2-75W E27 840 A60 FR G UE	-20 °C a +45 °C	70 °C
18881500	MAS LEDBulbND7.3-100W E27 827 A60 FR G UE	-20 °C a +45 °C	70 °C
18889100	MAS LEDBulbND7.3-100W E27 840 A60 FR G UE	-20 °C a +45 °C	70 °C
25408400	MAS LEDBulbND2.3-40W E27 830 A60 FR G UE	-20 °C a +45 °C	70 °C
25416900	MAS LEDBulbND4-60W E27 830 A60 FR G UE	-20 °C a +45 °C	70 °C

Lámpara MASTER UltraEfficient LED

Order Code	Full Product Name	Rango de temperatura ambiente	Temperatura máxima (nom.)
25424400	MAS LEDBulbND5.2-75W E27 830 A60 FR G UE	-20 °C a +45 °C	70 °C
25432900	MAS LEDBulbND7.3-100W E27 830 A60 FR G UE	-20 °C a +45 °C	70 °C
18861700	MAS LEDBulbND5.2-75W E27 827 A60 CL G UE	-20 °C a +45 °C	70 °C
25420600	MAS LEDBulbND5.2-75W E27 830 A60 CL G UE	-20 °C a +45 °C	70 °C
18877800	MAS LEDBulbND7.3-100W E27 827 A60 CL G UE	-20 °C a +45 °C	70 °C
25428200	MAS LEDBulbND7.3-100W E27 830 A60 CL G UE	-20 °C a +45 °C	70 °C
43583400	MAS LEDBulbND7.3-100WE27830 A70 FRG UE	-	70 °C
43585800	MAS LEDBulbND7.3-100WE27840 A70 FRG UE	-	70 °C
20274000	MAS LEDBulbND4-60W E27 827 ST64 CL G UE	-20 °C a +45 °C	70 °C
43591900	MAS LEDBulbND7.3-100WE27830 A70 CLG UE	-	70 °C
43593300	MAS LEDBulbND7.3-100WE27840 A70 CLG UE	-	70 °C

Order Code	Full Product Name	Rango de temperatura ambiente	Temperatura máxima (nom.)
18869300	MAS LEDBulbND5.2-75W E27 840 A60 CL G UE	-20 °C a +45 °C	70 °C
20278800	MAS LEDBulbND4-60W E27 840 G95 CL G UE	-20 °C a +45 °C	70 °C
24864900	MAS LEDBulb D 4-60W E27 827 A60 CL G UE	-20 °C a +45 °C	70 °C
24868700	MAS LEDBulb D 4-60W E27 830 A60 CL G UE	-20 °C a +45 °C	70 °C
18885300	MAS LEDBulbND7.3-100W E27 840 A60 CL G UE	-20 °C a +45 °C	70 °C
18837200	MAS LEDBulbND2.3-40W E27 840 A60 CL G UE	-20 °C a +45 °C	70 °C
18829700	MAS LEDBulbND2.3-40W E27 827 A60 CL G UE	-20 °C a +45 °C	70 °C
25404600	MAS LEDBulbND2.3-40W E27 830 A60 CL G UE	-20 °C a +45 °C	70 °C
24866300	MAS LEDBulb D 4-60W E27 827 A60 FR G UE	-20 °C a +45 °C	70 °C
24870000	MAS LEDBulb D 4-60W E27 830 A60 FR G UE	-20 °C a +45 °C	70 °C
42075500	MAS LEDBulbND2.3-40W E27840 A60CL G EELA	-	35 °C

Controles y regulación

Order Code	Full Product Name	Regulable
43587200	MAS LEDBulbND5.2-75W E27 830A70 CLG UE	No
43589600	MAS LEDBulbND5.2-75W E27 840A70 CLG UE	No
18853200	MAS LEDBulbND4-60W E27 840 A60 CL G UE	No
18845700	MAS LEDBulbND4-60W E27 827 A60 CL G UE	No
25412100	MAS LEDBulbND4-60W E27 830 A60 CL G UE	No
42079300	MAS LEDBulbND4-60W E27 840 A60 CL G EELA	No
20276400	MAS LEDBulbND4-60W E27 827 G95 CL G UE	No
42073100	MAS LEDBulbND2.3-40W E27830 A60CL G EELA	No
43579700	MAS LEDBulbND4-60W E27 830 A60 FR G UE	No
43581000	MAS LEDBulbND4-60W E27 840 A60 FR G UE	No
18833400	MAS LEDBulbND2.3-40W E27 827 A60 FR G UE	No
18841900	MAS LEDBulbND2.3-40W E27 840 A60 FR G UE	No
18849500	MAS LEDBulbND4-60W E27 827 A60 FR G UE	No
28428900	MAS LEDBulbND4-60W E27 840 A60 FR G UE	No
18865500	MAS LEDBulbND5.2-75W E27 827 A60 FR G UE	No
18873000	MAS LEDBulbND5.2-75W E27 840 A60 FR G UE	No
18881500	MAS LEDBulbND7.3-100W E27 827 A60 FR G UE	No
18889100	MAS LEDBulbND7.3-100W E27 840 A60 FR G UE	No
25408400	MAS LEDBulbND2.3-40W E27 830 A60 FR G UE	No
25416900	MAS LEDBulbND4-60W E27 830 A60 FR G UE	No
25424400	MAS LEDBulbND5.2-75W E27 830 A60 FR G UE	No
25432900	MAS LEDBulbND7.3-100W E27 830 A60 FR G UE	No
18861700	MAS LEDBulbND5.2-75W E27 827 A60 CL G UE	No

Order Code	Full Product Name	Regulable
25420600	MAS LEDBulbND5.2-75W E27 830 A60 CL G UE	No
18877800	MAS LEDBulbND7.3-100W E27 827 A60 CL G UE	No
25428200	MAS LEDBulbND7.3-100W E27 830 A60 CL G UE	No
43583400	MAS LEDBulbND7.3-100WE27830 A70 FRG UE	No
43585800	MAS LEDBulbND7.3-100WE27840 A70 FRG UE	No
20274000	MAS LEDBulbND4-60W E27 827 ST64 CL G UE	No
43591900	MAS LEDBulbND7.3-100WE27830 A70 CLG UE	No
43593300	MAS LEDBulbND7.3-100WE27840 A70 CLG UE	No
18869300	MAS LEDBulbND5.2-75W E27 840 A60 CL G UE	No
20278800	MAS LEDBulbND4-60W E27 840 G95 CL G UE	No
24864900	MAS LEDBulb D 4-60W E27 827 A60 CL G UE	Solo con reguladores específicos
24868700	MAS LEDBulb D 4-60W E27 830 A60 CL G UE	Solo con reguladores específicos
18885300	MAS LEDBulbND7.3-100W E27 840 A60 CL G UE	No
18837200	MAS LEDBulbND2.3-40W E27 840 A60 CL G UE	No
18829700	MAS LEDBulbND2.3-40W E27 827 A60 CL G UE	No
25404600	MAS LEDBulbND2.3-40W E27 830 A60 CL G UE	No
24866300	MAS LEDBulb D 4-60W E27 827 A60 FR G UE	Solo con reguladores específicos
24870000	MAS LEDBulb D 4-60W E27 830 A60 FR G UE	Solo con reguladores específicos
42075500	MAS LEDBulbND2.3-40W E27840 A60CL G EELA	No

Lámpara MASTER UltraEfficient LED

Mecánicos y de carcasa

Order Code	Full Product Name	Acabado de la bombilla	Forma de la bombilla
43587200	MAS LEDBulbND5.2-75W E27 830A70 CLG UE	Transparente	A70
43589600	MAS LEDBulbND5.2-75W E27 840A70 CLG UE	Transparente	A70
18853200	MAS LEDBulbND4-60W E27 840 A60 CL G UE	Transparente	A60
18845700	MAS LEDBulbND4-60W E27 827 A60 CL G UE	Transparente	A60
25412100	MAS LEDBulbND4-60W E27 830 A60 CL G UE	Transparente	A60
42079300	MAS LEDBulbND4-60W E27 840 A60 CL G EELA	Transparente	A60
20276400	MAS LEDBulbND4-60W E27 827 G95 CL G UE	Transparente	G95
42073100	MAS LEDBulbND2.3-40W E27830 A60CL G EELA	Transparente	A60
43579700	MAS LEDBulbND4-60W E27 830 A60 FR G UE	Mate	A60
43581000	MAS LEDBulbND4-60W E27 840 A60 FR G UE	Mate	A60
18833400	MAS LEDBulbND2.3-40W E27 827 A60 FR G UE	Mate	A60
18841900	MAS LEDBulbND2.3-40W E27 840 A60 FR G UE	Mate	A60
18849500	MAS LEDBulbND4-60W E27 827 A60 FR G UE	Mate	A60
28428900	MAS LEDBulbND4-60W E27 840 A60 FR G UE	Mate	A60
18865500	MAS LEDBulbND5.2-75W E27 827 A60 FR G UE	Mate	A60
18873000	MAS LEDBulbND5.2-75W E27 840 A60 FR G UE	Mate	A60
18881500	MAS LEDBulbND7.3-100W E27 827 A60 FR GUE	Mate	A60
18889100	MAS LEDBulbND7.3-100W E27 840 A60 FR GUE	Mate	A60
25408400	MAS LEDBulbND2.3-40W E27 830 A60 FR G UE	Mate	A60
25416900	MAS LEDBulbND4-60W E27 830 A60 FR G UE	Mate	A60
25424400	MAS LEDBulbND5.2-75W E27 830 A60 FR G UE	Mate	A60

Order Code	Full Product Name	Acabado de la bombilla	Forma de la bombilla
25432900	MAS LEDBulbND7.3-100W E27 830 A60 FR GUE	Mate	A60
18861700	MAS LEDBulbND5.2-75W E27 827 A60 CL G UE	Transparente	A60
25420600	MAS LEDBulbND5.2-75W E27 830 A60 CL G UE	Transparente	A60
18877800	MAS LEDBulbND7.3-100W E27 827 A60 CL GUE	Transparente	A60
25428200	MAS LEDBulbND7.3-100W E27 830 A60 CL GUE	Transparente	A60
43583400	MAS LEDBulbND7.3-100WE27830 A70 FRG UE	Mate	A70
43585800	MAS LEDBulbND7.3-100WE27840 A70 FRG UE	Mate	A70
20274000	MAS LEDBulbND4-60W E27 827 ST64 CL G UE	Transparente	ST64
43591900	MAS LEDBulbND7.3-100WE27830 A70 CLG UE	Transparente	A70
43593300	MAS LEDBulbND7.3-100WE27840 A70 CLG UE	Transparente	A70
18869300	MAS LEDBulbND5.2-75W E27 840 A60 CL G UE	Transparente	A60
20278800	MAS LEDBulbND4-60W E27 840 G95 CL G UE	Transparente	G95
24864900	MAS LEDBulb D 4-60W E27 827 A60 CL G UE	Transparente	A60
24868700	MAS LEDBulb D 4-60W E27 830 A60 CL G UE	Transparente	A60
18885300	MAS LEDBulbND7.3-100W E27 840 A60 CL GUE	Transparente	A60
18837200	MAS LEDBulbND2.3-40W E27 840 A60 CL G UE	Transparente	A60
18829700	MAS LEDBulbND2.3-40W E27 827 A60 CL G UE	Transparente	A60
25404600	MAS LEDBulbND2.3-40W E27 830 A60 CL G UE	Transparente	A60
24866300	MAS LEDBulb D 4-60W E27 827 A60 FR G UE	Mate	A60
24870000	MAS LEDBulb D 4-60W E27 830 A60 FR G UE	Mate	A60
42075500	MAS LEDBulbND2.3-40W E27840 A60CL G EELA	Transparente	A60

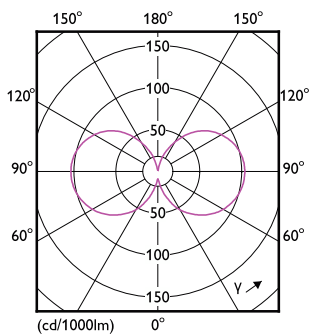
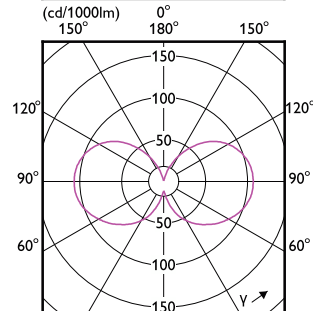
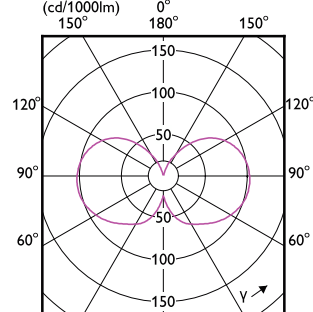
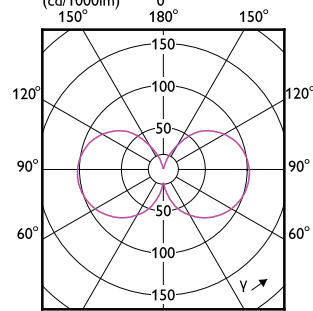
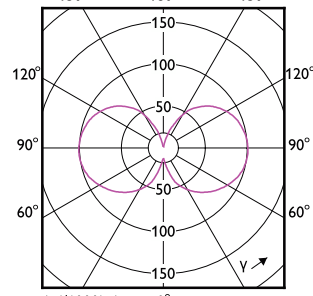
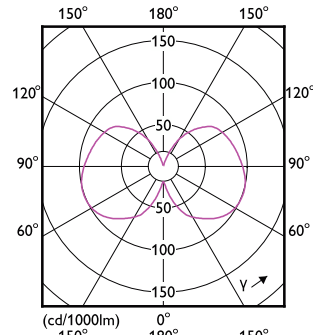
Aprobación y aplicación

Order Code	Full Product Name	Consumo energético kWh/1000 h
43587200	MAS LEDBulbND5.2-75W E27 830A70 CLG UE	6 kWh

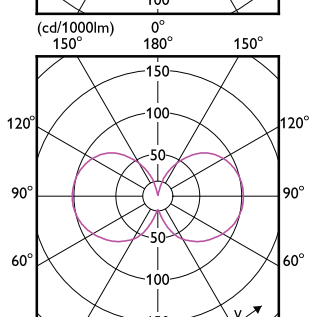
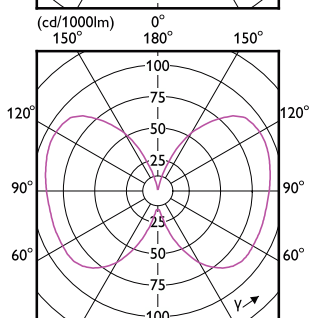
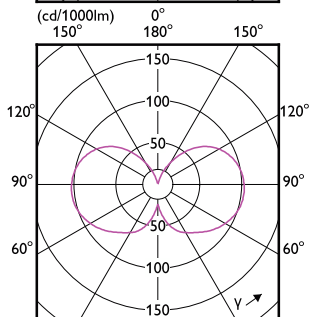
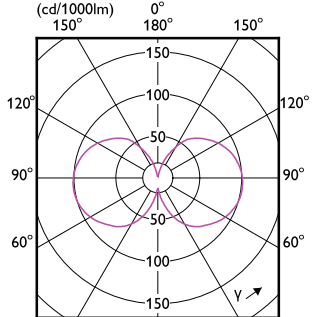
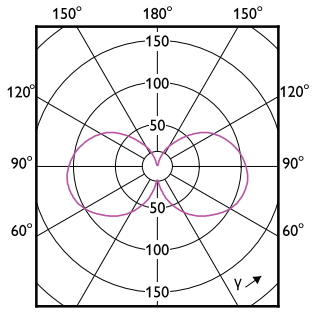
Order Code	Full Product Name	Consumo energético kWh/1000 h
43589600	MAS LEDBulbND5.2-75W E27 840A70 CLG UE	6 kWh

Lámpara MASTER UltraEfficient LED

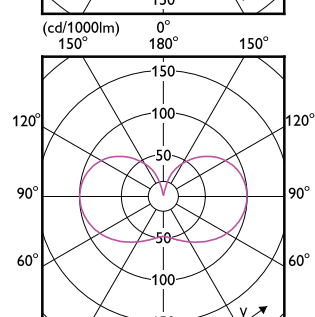
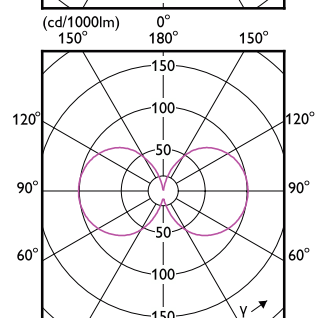
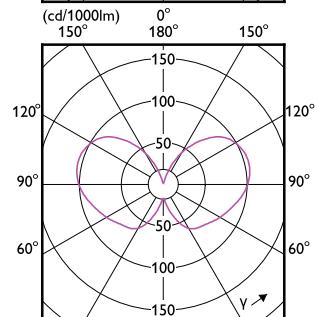
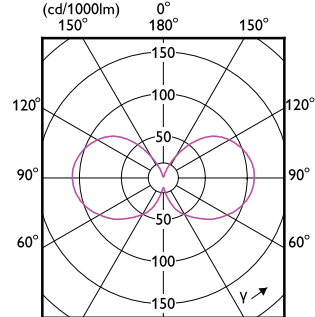
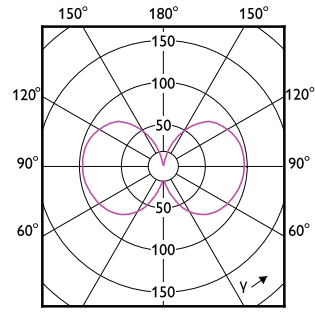
Order Code	Full Product Name	Consumo energético kWh/1000 h
18853200	MAS LEDBulbND4-60W E27 840 A60 CL G UE	4 kWh
18845700	MAS LEDBulbND4-60W E27 827 A60 CL G UE	4 kWh
25412100	MAS LEDBulbND4-60W E27 830 A60 CL G UE	4 kWh
42079300	MAS LEDBulbND4-60W E27 840 A60 CL G EELA	4 kWh
20276400	MAS LEDBulbND4-60W E27 827 G95 CL G UE	4 kWh
42073100	MAS LEDBulbND2.3-40W E27830 A60CL G EELA	3 kWh
43579700	MAS LEDBulbND4-60W E27 830 A60 FR G UE	4 kWh
43581000	MAS LEDBulbND4-60W E27 840 A60 FR G UE	4 kWh
18833400	MAS LEDBulbND2.3-40W E27 827 A60 FR G UE	3 kWh
18841900	MAS LEDBulbND2.3-40W E27 840 A60 FR G UE	3 kWh
18849500	MAS LEDBulbND4-60W E27 827 A60 FR G UE	4 kWh
28428900	MAS LEDBulbND4-60W E27 840 A60 FR G UE	4 kWh
18865500	MAS LEDBulbND5.2-75W E27 827 A60 FR G UE	6 kWh
18873000	MAS LEDBulbND5.2-75W E27 840 A60 FR G UE	6 kWh
18881500	MAS LEDBulbND7.3-100W E27 827 A60 FR G UE	8 kWh
18889100	MAS LEDBulbND7.3-100W E27 840 A60 FR G UE	8 kWh
25408400	MAS LEDBulbND2.3-40W E27 830 A60 FR G UE	3 kWh
25416900	MAS LEDBulbND4-60W E27 830 A60 FR G UE	4 kWh
25424400	MAS LEDBulbND5.2-75W E27 830 A60 FR G UE	6 kWh
25432900	MAS LEDBulbND7.3-100W E27 830 A60 FR G UE	8 kWh
18861700	MAS LEDBulbND5.2-75W E27 827 A60 CL G UE	6 kWh
25420600	MAS LEDBulbND5.2-75W E27 830 A60 CL G UE	6 kWh
18877800	MAS LEDBulbND7.3-100W E27 827 A60 CL G UE	8 kWh
25428200	MAS LEDBulbND7.3-100W E27 830 A60 CL G UE	8 kWh
43583400	MAS LEDBulbND7.3-100WE27830 A70 FRG UE	8 kWh
43585800	MAS LEDBulbND7.3-100WE27840 A70 FRG UE	8 kWh
20274000	MAS LEDBulbND4-60W E27 827 ST64 CL G UE	4 kWh
43591900	MAS LEDBulbND7.3-100WE27830 A70 CLG UE	8 kWh
43593300	MAS LEDBulbND7.3-100WE27840 A70 CLG UE	8 kWh
18869300	MAS LEDBulbND5.2-75W E27 840 A60 CL G UE	6 kWh
20278800	MAS LEDBulbND4-60W E27 840 G95 CL G UE	4 kWh
24864900	MAS LEDBulb D 4-60W E27 827 A60 CL G UE	4 kWh
24868700	MAS LEDBulb D 4-60W E27 830 A60 CL G UE	4 kWh
18885300	MAS LEDBulbND7.3-100W E27 840 A60 CL G UE	8 kWh
18837200	MAS LEDBulbND2.3-40W E27 840 A60 CL G UE	3 kWh
18829700	MAS LEDBulbND2.3-40W E27 827 A60 CL G UE	3 kWh
25404600	MAS LEDBulbND2.3-40W E27 830 A60 CL G UE	3 kWh
24866300	MAS LEDBulb D 4-60W E27 827 A60 FR G UE	4 kWh
24870000	MAS LEDBulb D 4-60W E27 830 A60 FR G UE	4 kWh
42075500	MAS LEDBulbND2.3-40W E27840 A60CL G EELA	3 kWh



Lámpara MASTER UltraEfficient LED



(cd/1000lm) 0°



(cd/1000lm) 0°

Lámpara MASTER UltraEfficient LED

