



# Our most-efficient LED bulb

## MASTER Ultra Efficient LED bulb

This is the most efficient LED bulb from Philips brand. 210lm/W helps to concrete the company statement of sustainability. 50000 hour lifetime helps to extend the replacement cycle to reduce the waste. This is not only a high SPEC product, but also keeps the light quality of Philips brand

### Benefits

- energy-saving, 60% less energy compared with standard Philips LED bulbs
- Very long lifetime that reduces the need for replacement
- Easy replacement of conventional lamps

### Features

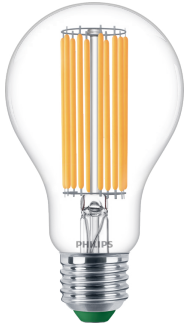
- Ultra energy-efficient, with 210 lm/W
- Long lifetime, more than three times longer lifetime than normal LED products
- A well-optimised look and feel, without impact on the application. Easy installation
- Designed to be seen, they look good on and off
- Environmentally friendly: contains no mercury or other hazardous substances

### Application

- Domestic application
- Hospitality: restaurants and hotels

# MASTER Ultra Efficient LED bulb

## Versions



LED CLA 75W A70 E27 3000K CL UE SRT4



LED CLA 60W A60 E27 4000K CL UE SRT4



LEDbulb MAS EU A60 E27 CL 4



LED CLA 60W G95 E27 2700K CL UE SRT4



LEDbulb MAS EU A60 E27 CL 1



LED CLA 60W A60 E27 3000K FR UE SRT4



LED CLA 100WA60 E27 2700K CL UE SRT4

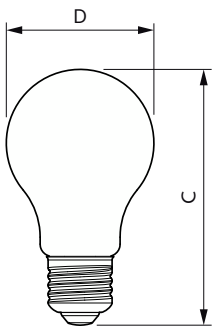


LED CLA 100W A70 E27 3000K FR UE SRT4



LEDbulb MAS EU A60 E27 CL 2

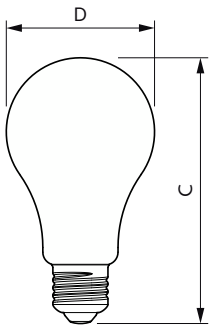
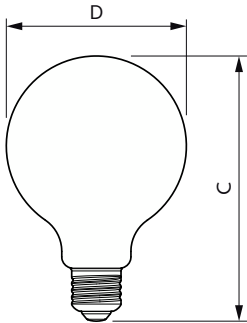
## Dimensional drawing



| Product                                  | D     | C      |
|--|-------|--------|
| MAS LEDBulbND2.3-40W E27830 A60CL G EELA | 60 mm | 105 mm |
| MAS LEDBulbND2.3-40W E27840 A60CL G EELA | 60 mm | 105 mm |
| MAS LEDBulbND4-60W E27 830 A60 FR G UE   | 60 mm | 105 mm |
| MAS LEDBulbND4-60W E27 840 A60 CL G EELA | 60 mm | 105 mm |
| MAS LEDBulbND4-60W E27 840 A60 CL G UE   | 60 mm | 104 mm |
| MAS LEDBulbND7.3-100W E27 830 A60 CL GUE | 60 mm | 104 mm |

# MASTER Ultra Efficient LED bulb

## Dimensional drawing



| Product                                | D     | C      |
|--|-------|--------|
| MAS LEDBulbND4-60W E27 827 G95 CL G UE | 95 mm | 140 mm |

| Product                                | D     | C      |
|--|-------|--------|
| MAS LEDBulbND5.2-75W E27 830A70 CLG UE | 70 mm | 127 mm |
| MAS LEDBulbND5.2-75W E27 840A70 CLG UE | 70 mm | 127 mm |
| MAS LEDBulbND7.3-100WE27830 A70 CLG UE | 70 mm | 127 mm |
| MAS LEDBulbND7.3-100WE27830 A70 FRG UE | 70 mm | 127 mm |
| MAS LEDBulbND7.3-100WE27840 A70 CLG UE | 70 mm | 127 mm |

### General Information

|                  |          |
|------------------|----------|
| Cap base         | E27      |
| Switching Cycle  | 50,000   |
| Nominal lifetime | 50,000 h |

### Light Technical

|  |      |
|--|------|
| Colour rendering index (CRI)           | 80   |
| LLMF at end of nominal lifetime (nom.) | 70 % |

### Operating and Electrical

|                      |             |
|----------------------|-------------|
| Input frequency      | 50 to 60 Hz |
| Line Frequency       | 50 to 60 Hz |
| Starting time (nom.) | 0.5 s       |

### Controls and Dimming

|          |    |
|----------|----|
| Dimmable | No |
|----------|----|

## Light Technical

| Order Code | Full Product Name                         | Correlated Colour Temperature | Colour Code | Luminous Flux |
|------------|---|-------------------------------|-------------|---------------|
| 43587200   | MAS LEDBulbND5.2-75W E27 830A70 CLG UE    | 3000 K                        | 830         | 1,095 lm      |
| 43589600   | MAS LEDBulbND5.2-75W E27 840A70 CLG UE    | 4000 K                        | 840         | 1,095 lm      |
| 18853200   | MAS LEDBulbND4-60W E27 840 A60 CL G UE    | 4000 K                        | 840         | 840 lm        |
| 42079300   | MAS LEDBulbND4-60W E27 840 A60 CL G EELA  | 4000 K                        | 840         | 840 lm        |
| 20276400   | MAS LEDBulbND4-60W E27 827 G95 CL G UE    | 2700 K                        | 827         | 840 lm        |
| 42073100   | MAS LEDBulbND2.3-40W E27830 A60CL G EELA  | 3000 K                        | 830         | 485 lm        |
| 43579700   | MAS LEDBulbND4-60W E27 830 A60 FR G UE    | 3000 K                        | 830         | 840 lm        |
| 25428200   | MAS LEDBulbND7.3-100W E27 830 A60 CL G UE | 3000 K                        | 830         | 1,535 lm      |
| 43583400   | MAS LEDBulbND7.3-100WE27830 A70 FRG UE    | 3000 K                        | 830         | 1,535 lm      |
| 43591900   | MAS LEDBulbND7.3-100WE27830 A70 CLG UE    | 3000 K                        | 830         | 1,535 lm      |
| 43593300   | MAS LEDBulbND7.3-100WE27840 A70 CLG UE    | 4000 K                        | 840         | 1,535 lm      |
| 42075500   | MAS LEDBulbND2.3-40W E27840 A60CL G EELA  | 4000 K                        | 840         | 485 lm        |

## Operating and Electrical

| Order Code | Full Product Name                      | Power Consumption | Wattage equivalent |
|------------|--|-------------------|--------------------|
| 43587200   | MAS LEDBulbND5.2-75W E27 830A70 CLG UE | 5.2 W             | 75 W               |
| 43589600   | MAS LEDBulbND5.2-75W E27 840A70 CLG UE | 5.2 W             | 75 W               |
| 18853200   | MAS LEDBulbND4-60W E27 840 A60 CL G UE | 4 W               | 60 W               |

| Order Code | Full Product Name                        | Power Consumption | Wattage equivalent |
|------------|--|-------------------|--------------------|
| 42079300   | MAS LEDBulbND4-60W E27 840 A60 CL G EELA | 4 W               | 60 W               |
| 20276400   | MAS LEDBulbND4-60W E27 827 G95 CL G UE   | 4 W               | 60 W               |
| 42073100   | MAS LEDBulbND2.3-40W E27830 A60CL G EELA | 2.3 W             | 40 W               |

# MASTER Ultra Efficient LED bulb

| Order Code | Full Product Name                        | Power Consumption | Wattage equivalent |
|------------|--|-------------------|--------------------|
| 43579700   | MAS LEDBulbND4-60W E27 830 A60 FR G UE   | 4 W               | 60 W               |
| 25428200   | MAS LEDBulbND7.3-100W E27 830 A60 CL GUE | 7.3 W             | 100 W              |
| 43583400   | MAS LEDBulbND7.3-100WE27830 A70 FRG UE   | 7.3 W             | 100 W              |

| Order Code | Full Product Name                        | Power Consumption | Wattage equivalent |
|------------|--|-------------------|--------------------|
| 43591900   | MAS LEDBulbND7.3-100WE27830 A70 CLG UE   | 7.3 W             | 100 W              |
| 43593300   | MAS LEDBulbND7.3-100WE27840 A70 CLG UE   | 7.3 W             | 100 W              |
| 42075500   | MAS LEDBulbND2.3-40W E27840 A60CL G EELA | 2.3 W             | 40 W               |

## Temperature

| Order Code | Full Product Name                        | Ambient temperature range | T-Case maximum (nom.) |
|------------|--|---------------------------|-----------------------|
| 43587200   | MAS LEDBulbND5.2-75W E27 830A70 CLG UE   | -                         | 70 °C                 |
| 43589600   | MAS LEDBulbND5.2-75W E27 840A70 CLG UE   | -                         | 70 °C                 |
| 18853200   | MAS LEDBulbND4-60W E27 840 A60 CL G UE   | -20 to +45 °C             | 70 °C                 |
| 42079300   | MAS LEDBulbND4-60W E27 840 A60 CL G EELA | -                         | 35 °C                 |
| 20276400   | MAS LEDBulbND4-60W E27 827 G95 CL G UE   | -20 to +45 °C             | 70 °C                 |
| 42073100   | MAS LEDBulbND2.3-40W E27830 A60CL G EELA | -                         | 35 °C                 |

| Order Code | Full Product Name                        | Ambient temperature range | T-Case maximum (nom.) |
|------------|--|---------------------------|-----------------------|
| 43579700   | MAS LEDBulbND4-60W E27 830 A60 FR G UE   | -                         | 70 °C                 |
| 25428200   | MAS LEDBulbND7.3-100W E27 830 A60 CL GUE | -20 to +45 °C             | 70 °C                 |
| 43583400   | MAS LEDBulbND7.3-100WE27830 A70 FRG UE   | -                         | 70 °C                 |
| 43591900   | MAS LEDBulbND7.3-100WE27830 A70 CLG UE   | -                         | 70 °C                 |
| 43593300   | MAS LEDBulbND7.3-100WE27840 A70 CLG UE   | -                         | 70 °C                 |
| 42075500   | MAS LEDBulbND2.3-40W E27840 A60CL G EELA | -                         | 35 °C                 |

## Mechanical and Housing

| Order Code | Full Product Name                        | Lamp Finish | Bulb shape |
|------------|--|-------------|------------|
| 43587200   | MAS LEDBulbND5.2-75W E27 830A70 CLG UE   | Clear       | A70        |
| 43589600   | MAS LEDBulbND5.2-75W E27 840A70 CLG UE   | Clear       | A70        |
| 18853200   | MAS LEDBulbND4-60W E27 840 A60 CL G UE   | Clear       | A60        |
| 42079300   | MAS LEDBulbND4-60W E27 840 A60 CL G EELA | Clear       | A60        |
| 20276400   | MAS LEDBulbND4-60W E27 827 G95 CL G UE   | Clear       | G95        |
| 42073100   | MAS LEDBulbND2.3-40W E27830 A60CL G EELA | Clear       | A60        |

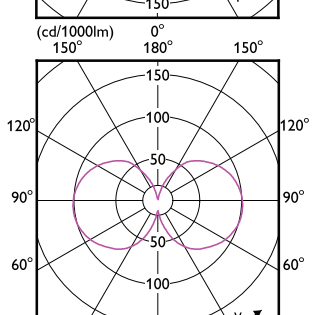
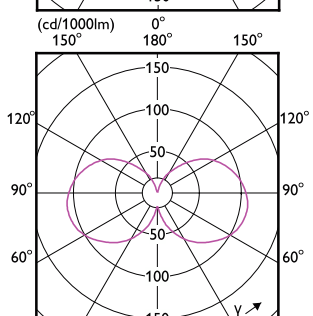
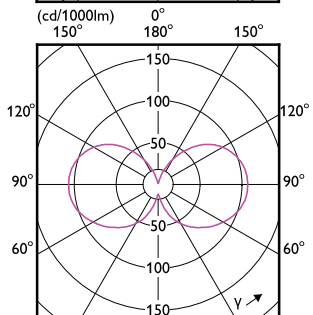
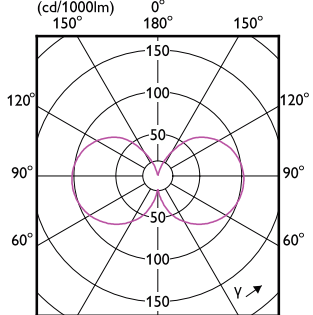
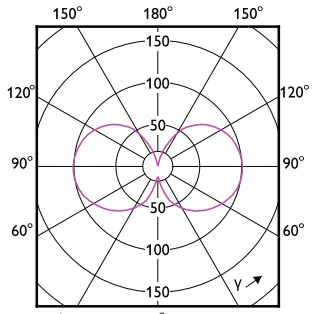
| Order Code | Full Product Name                        | Lamp Finish | Bulb shape |
|------------|--|-------------|------------|
| 43579700   | MAS LEDBulbND4-60W E27 830 A60 FR G UE   | Frosted     | A60        |
| 25428200   | MAS LEDBulbND7.3-100W E27 830 A60 CL GUE | Clear       | A60        |
| 43583400   | MAS LEDBulbND7.3-100WE27830 A70 FRG UE   | Frosted     | A70        |
| 43591900   | MAS LEDBulbND7.3-100WE27830 A70 CLG UE   | Clear       | A70        |
| 43593300   | MAS LEDBulbND7.3-100WE27840 A70 CLG UE   | Clear       | A70        |
| 42075500   | MAS LEDBulbND2.3-40W E27840 A60CL G EELA | Clear       | A60        |

## Approval and Application

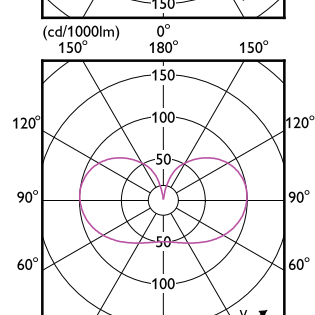
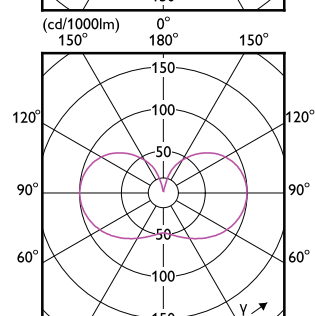
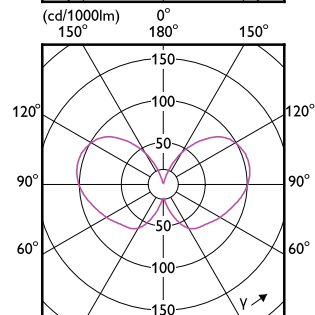
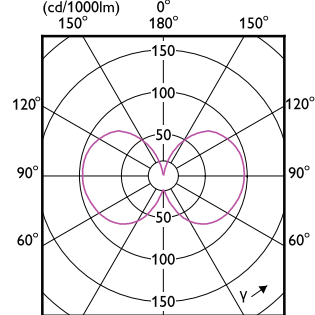
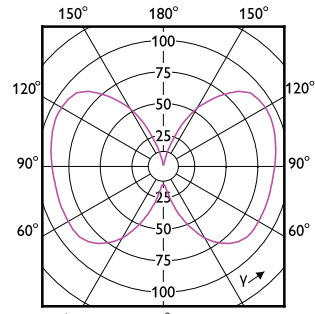
| Order Code | Full Product Name                        | Energy consumption kWh/1,000 hours |
|------------|--|------------------------------------|
| 43587200   | MAS LEDBulbND5.2-75W E27 830A70 CLG UE   | 6 kWh                              |
| 43589600   | MAS LEDBulbND5.2-75W E27 840A70 CLG UE   | 6 kWh                              |
| 18853200   | MAS LEDBulbND4-60W E27 840 A60 CL G UE   | 4 kWh                              |
| 42079300   | MAS LEDBulbND4-60W E27 840 A60 CL G EELA | 4 kWh                              |
| 20276400   | MAS LEDBulbND4-60W E27 827 G95 CL G UE   | 4 kWh                              |
| 42073100   | MAS LEDBulbND2.3-40W E27830 A60CL G EELA | 3 kWh                              |
| 43579700   | MAS LEDBulbND4-60W E27 830 A60 FR G UE   | 4 kWh                              |
| 25428200   | MAS LEDBulbND7.3-100W E27 830 A60 CL GUE | 8 kWh                              |
| 43583400   | MAS LEDBulbND7.3-100WE27830 A70 FRG UE   | 8 kWh                              |
| 43591900   | MAS LEDBulbND7.3-100WE27830 A70 CLG UE   | 8 kWh                              |

| Order Code | Full Product Name                        | Energy consumption kWh/1,000 hours |
|------------|--|------------------------------------|
| 43593300   | MAS LEDBulbND7.3-100WE27840 A70 CLG UE   | 8 kWh                              |
| 42075500   | MAS LEDBulbND2.3-40W E27840 A60CL G EELA | 3 kWh                              |

# MASTER Ultra Efficient LED bulb



(cd/1000lm) 0°



(cd/1000lm) 0°

# MASTER Ultra Efficient LED bulb

