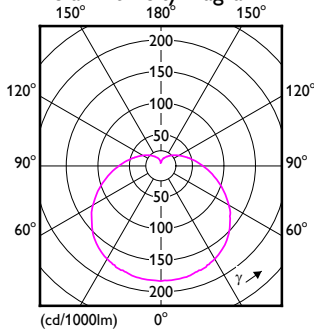


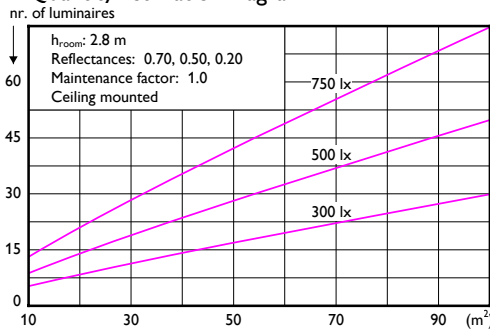
**1 x 9290037939 15.0W 6500K**

1 x 1300 lm

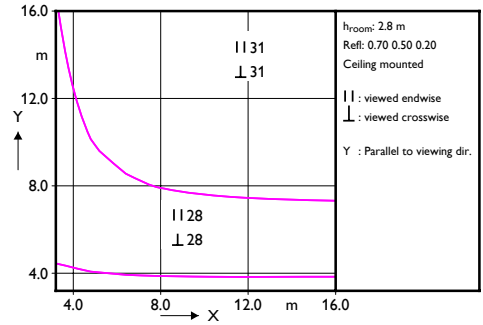
**Polar intensity diagram**



**Quantity estimation diagram**



**UGR diagram**



Light output ratio 1.00  
 Service upward 0.22  
 Service downward 0.78

CIE flux code 34 63 84 78 100

UGRcen (4Hx8H, 0.25H) 29

**Utilisation factor table**

Room Index k	Reflectances (%) for ceiling, walls and working plane (CIE)												
	0.80			0.70			0.50			0.30			0.00
	0.80	0.50	0.30	0.80	0.50	0.30	0.80	0.50	0.30	0.80	0.50	0.30	0.00
0.60	0.39	0.37	0.38	0.37	0.36	0.28	0.26	0.22	0.25	0.20	0.17		
0.80	0.49	0.46	0.47	0.45	0.44	0.36	0.34	0.28	0.31	0.27	0.22		
1.00	0.57	0.53	0.54	0.52	0.51	0.43	0.40	0.34	0.37	0.32	0.27		
1.25	0.65	0.60	0.62	0.59	0.57	0.49	0.46	0.41	0.43	0.38	0.33		
1.50	0.71	0.65	0.68	0.65	0.62	0.55	0.51	0.46	0.47	0.43	0.37		
2.00	0.81	0.72	0.76	0.73	0.69	0.63	0.58	0.53	0.54	0.50	0.43		
2.50	0.87	0.77	0.82	0.78	0.74	0.68	0.63	0.59	0.59	0.55	0.48		
3.00	0.92	0.81	0.87	0.82	0.77	0.72	0.67	0.63	0.62	0.59	0.51		
4.00	0.98	0.85	0.93	0.87	0.82	0.77	0.72	0.68	0.67	0.64	0.56		
5.00	1.03	0.88	0.97	0.90	0.85	0.81	0.75	0.72	0.70	0.67	0.59		

Ceiling mounted

**Luminance Table**

Plane Cone	0.0	15.0	30.0	45.0	60.0	75.0	90.0
45.0	44781	40892	38776	38103	38776	40892	44781
50.0	42801	38741	36561	35872	36561	38741	42801
55.0	41310	37050	34795	34087	34795	37050	41310
60.0	39600	35177	32869	32150	32869	35177	39600
65.0	37828	33259	30912	30185	30912	33259	37828
70.0	36308	31566	29172	28436	29172	31566	36308
75.0	34829	29907	27466	26722	27466	29907	34829
80.0	33929	28724	26198	25435	26198	28724	33929
85.0	33078	27547	24927	24144	24927	27547	33078
90.0	32756	26746	23979	23162	23979	26746	32756

(cd/m<sup>2</sup>)