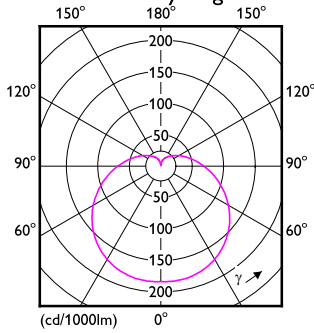


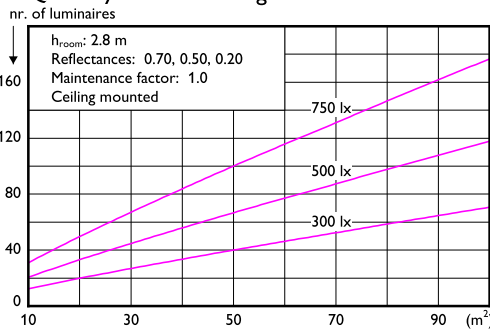
**1 x 9290037974 5.5W 6500K**

1 x 550 lm

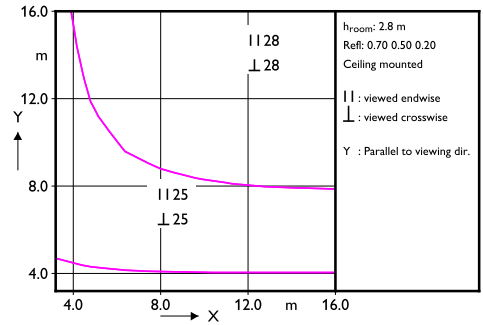
**Polar intensity diagram**



**Quantity estimation diagram**



**UGR diagram**



Light output ratio 1.00  
 Service upward 0.22  
 Service downward 0.78

CIE flux code 34 62 84 78 100

UGRcen (4Hx8H, 0.25H) 26

**Utilisation factor table**

Room Index k	Reflectances (%) for ceiling, walls and working plane (CIE)											
	0.80		0.70		0.50		0.30		0.10		0.00	
	0.80	0.70	0.70	0.50	0.50	0.30	0.30	0.10	0.10	0.10	0.10	0.00
0.60	0.39	0.38	0.38	0.37	0.36	0.28	0.27	0.22	0.25	0.20	0.17	
0.80	0.49	0.46	0.47	0.45	0.44	0.36	0.34	0.29	0.31	0.27	0.22	
1.00	0.57	0.53	0.54	0.52	0.51	0.43	0.40	0.34	0.37	0.32	0.27	
1.25	0.65	0.59	0.62	0.59	0.57	0.49	0.46	0.40	0.42	0.38	0.32	
1.50	0.71	0.64	0.67	0.64	0.62	0.54	0.51	0.45	0.47	0.42	0.36	
2.00	0.81	0.72	0.76	0.72	0.69	0.62	0.58	0.53	0.54	0.50	0.43	
2.50	0.87	0.77	0.82	0.78	0.74	0.68	0.63	0.59	0.58	0.55	0.48	
3.00	0.92	0.81	0.87	0.82	0.77	0.72	0.67	0.63	0.62	0.59	0.51	
4.00	0.98	0.85	0.93	0.87	0.82	0.77	0.72	0.68	0.67	0.64	0.56	
5.00	1.03	0.88	0.97	0.90	0.85	0.81	0.75	0.72	0.70	0.67	0.59	

Ceiling mounted

**Luminance Table**

Plane Cone	0.0	15.0	30.0	45.0	60.0	75.0	90.0
45.0	17721	16078	15193	14913	15193	16078	17721
50.0	16930	15225	14318	14033	14318	15225	16930
55.0	16176	14416	13493	13204	13493	14416	16176
60.0	15448	13638	12702	12411	12702	13638	15448
65.0	14769	12909	11962	11669	11962	12909	14769
70.0	14142	12229	11271	10977	11271	12229	14142
75.0	13581	11607	10635	10340	10635	11607	13581
80.0	13114	11062	10071	9773	10071	11062	13114
85.0	12755	10599	9581	9277	9581	10599	12755
90.0	12543	10241	9182	8869	9182	10241	12543

(cd/m<sup>2</sup>)

2024-04-29