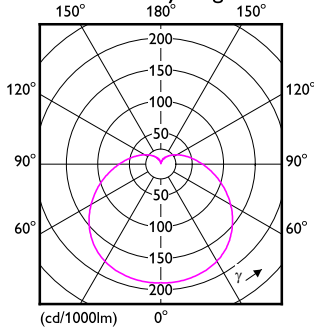


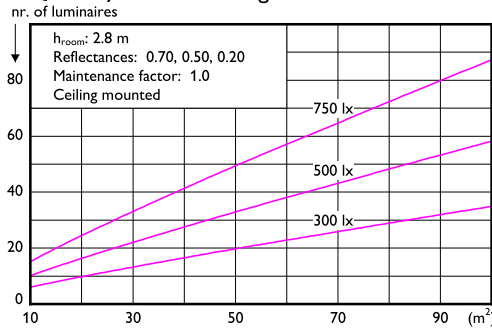
1 x 9290037520 11.0W 5000K

1 x 1100 lm

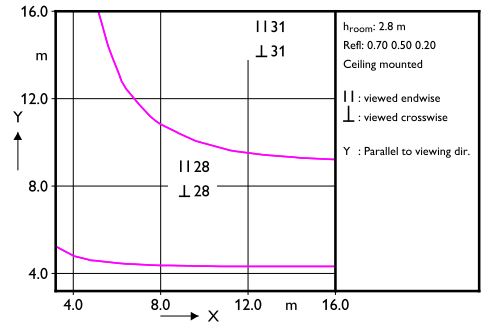
Polar intensity diagram



Quantity estimation diagram



UGR diagram



Light output ratio 1.00
 Service upward 0.20
 Service downward 0.80

CIE flux code 35 63 85 80 100

UGRcen (4Hx8H, 0.25H) 29

Utilisation factor table

Room Index k	Reflectances (%) for ceiling, walls and working plane (CIE)												
	0.80			0.70			0.50			0.30			0.00
	0.80	0.80	0.70	0.70	0.70	0.70	0.50	0.50	0.30	0.30	0.30	0.00	
0.30	0.10	0.30	0.20	0.10	0.10	0.10	0.10	0.10	0.10	0.10	0.10	0.00	
0.60	0.40	0.38	0.38	0.38	0.37	0.29	0.27	0.23	0.26	0.21	0.18		
0.80	0.50	0.47	0.48	0.46	0.45	0.37	0.35	0.29	0.32	0.28	0.24		
1.00	0.58	0.54	0.55	0.53	0.51	0.43	0.41	0.35	0.38	0.33	0.29		
1.25	0.66	0.60	0.62	0.60	0.58	0.50	0.47	0.42	0.44	0.39	0.34		
1.50	0.72	0.65	0.68	0.65	0.63	0.55	0.52	0.46	0.48	0.44	0.38		
2.00	0.81	0.73	0.77	0.73	0.70	0.63	0.59	0.54	0.55	0.51	0.45		
2.50	0.88	0.78	0.83	0.79	0.75	0.69	0.64	0.60	0.60	0.56	0.50		
3.00	0.93	0.81	0.88	0.83	0.78	0.73	0.68	0.64	0.64	0.60	0.53		
4.00	0.99	0.86	0.94	0.88	0.83	0.78	0.73	0.70	0.68	0.65	0.58		
5.00	1.04	0.89	0.98	0.91	0.86	0.82	0.77	0.74	0.71	0.69	0.61		

Ceiling mounted

Luminance Table

Plane Cone	0.0	15.0	30.0	45.0	60.0	75.0	90.0
45.0	36521	33198	31401	30832	31401	33198	36521
50.0	34867	31414	29573	28993	29573	31414	34867
55.0	33201	29641	27770	27185	27770	29641	33201
60.0	31559	27909	26018	25430	26018	27909	31559
65.0	29976	26244	24339	23751	24339	26244	29976
70.0	28497	24680	22763	22175	22763	24680	28497
75.0	27148	23233	21301	20714	21301	23233	27148
80.0	25949	21911	19959	19370	19959	21911	25949
85.0	24997	20784	18793	18199	18793	20784	24997
90.0	24346	19878	17822	17215	17822	19878	24346

(cd/m²)