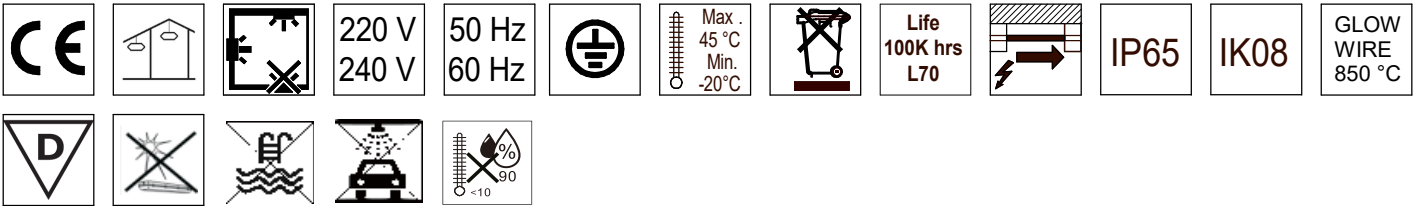
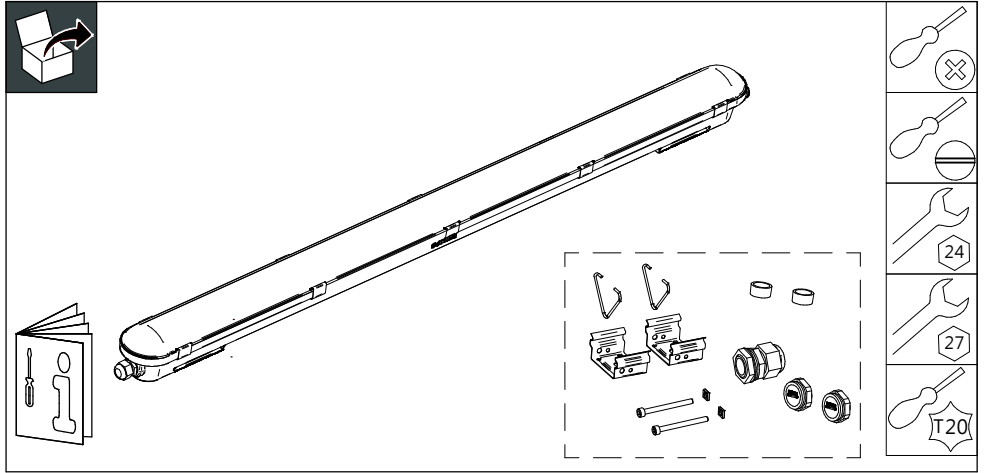




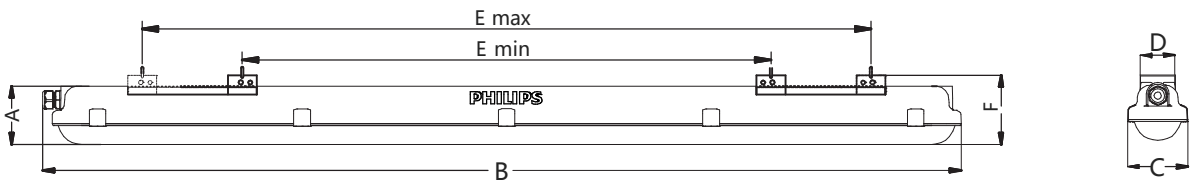
# PHILIPS

CoreLine  
waterproof

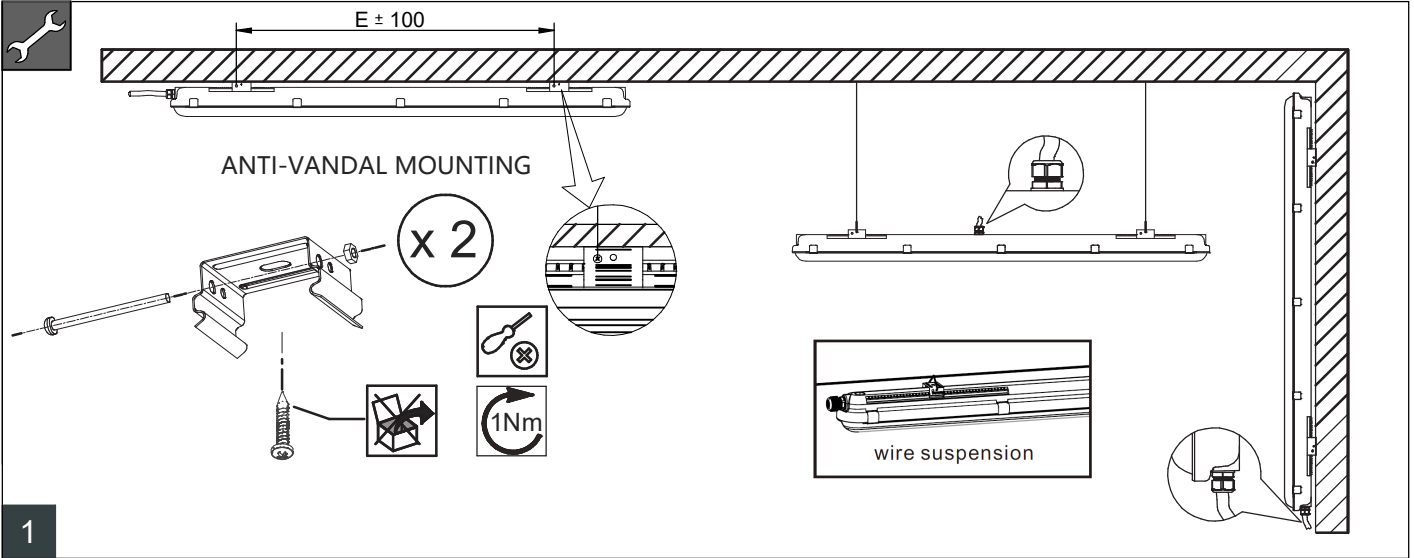
WT120C G2 MDU



	System light output (Lm)		
WT120C G2 LED19S/840 PSU MDU L600	1900	0,9	ΟΙΝΩΣΑΟΪΣ 
WT120C G2 LED27S/840 PSU MDU L1200	2700	1,4	
WT120C G2 LED27S/840 PSU MDU TW3 L1200	2700	1,5	
WT120C G2 LED40S/840 PSU MDU L1200	4000	1,4	
WT120C G2 LED40S/840 PSU MDU TW3 L1200	4000	1,5	
WT120C G2 LED34S/840 PSU MDU L1500	3400	1,7	
WT120C G2 LED34S/840 PSU MDU TW3 L1500	3400	1,8	
WT120C G2 LED60S/840 PSU MDU L1500	6000	1,7	
WT120C G2 LED60S/840 PSU MDU TW3 L1500	6000	1,8	
WT120C G2 LED80S/840 PSU MDU L1500	8000	1,7	

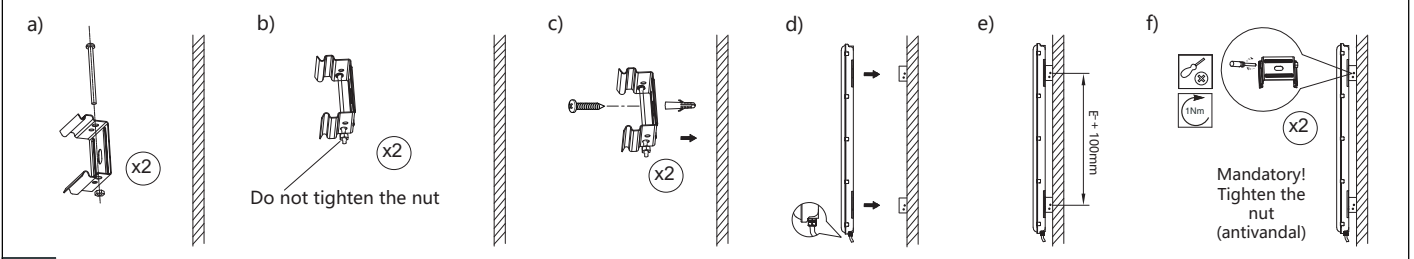


Type	Dimension (mm)							Nr. of clips
	A	B	C	D	E <sub>min</sub>	E <sub>max</sub>	F	
WT120C G2 LED19S L600	76	665	80	38	308	512	85	6
WT120C G2 LED27S L1200		1215			538	1062		10
WT120C G2 LED40S L1200		1515			838	1362		12
WT120C G2 LED34S L1500								
WT120C G2 LED60S L1500								
WT120C G2 LED80S L1500								

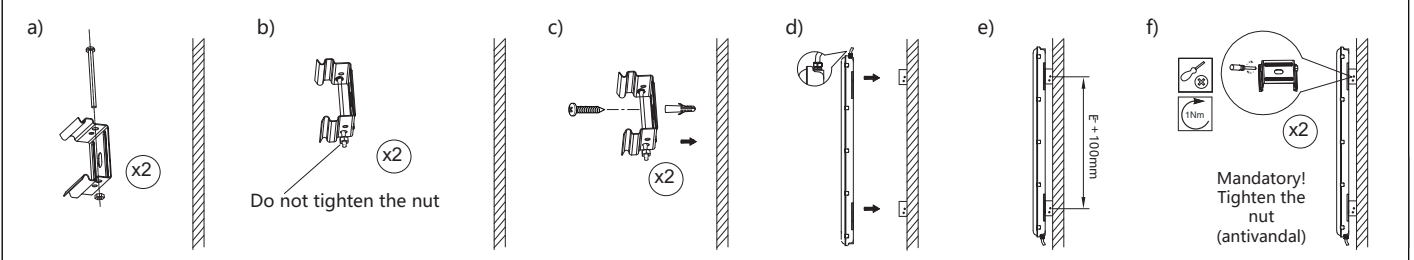


1

Vertical installation

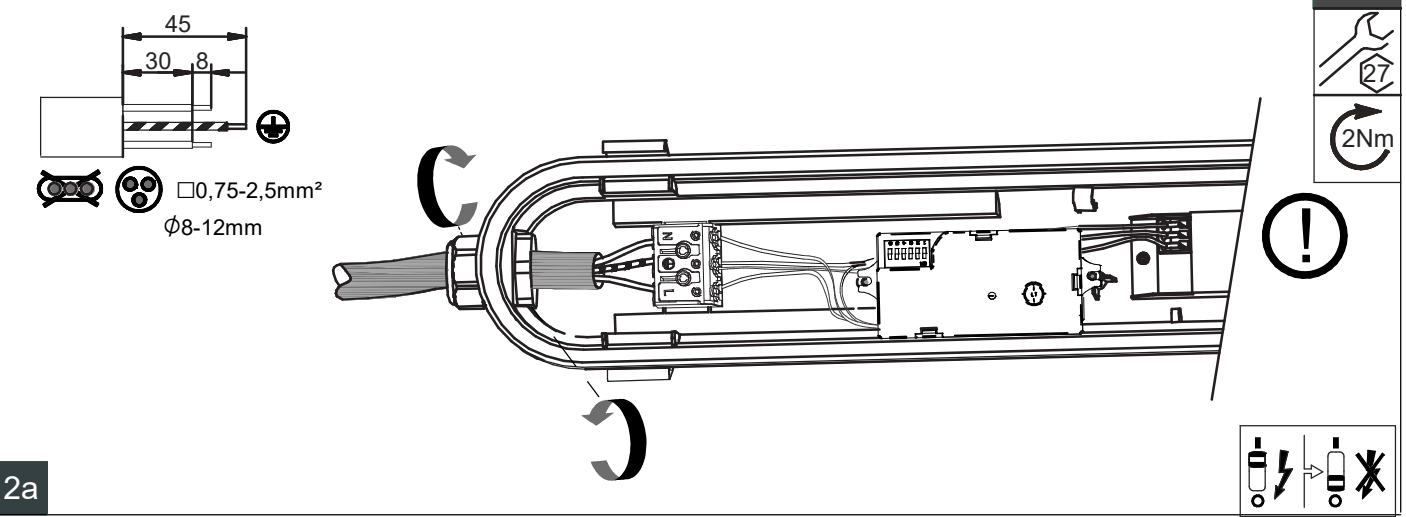


1a



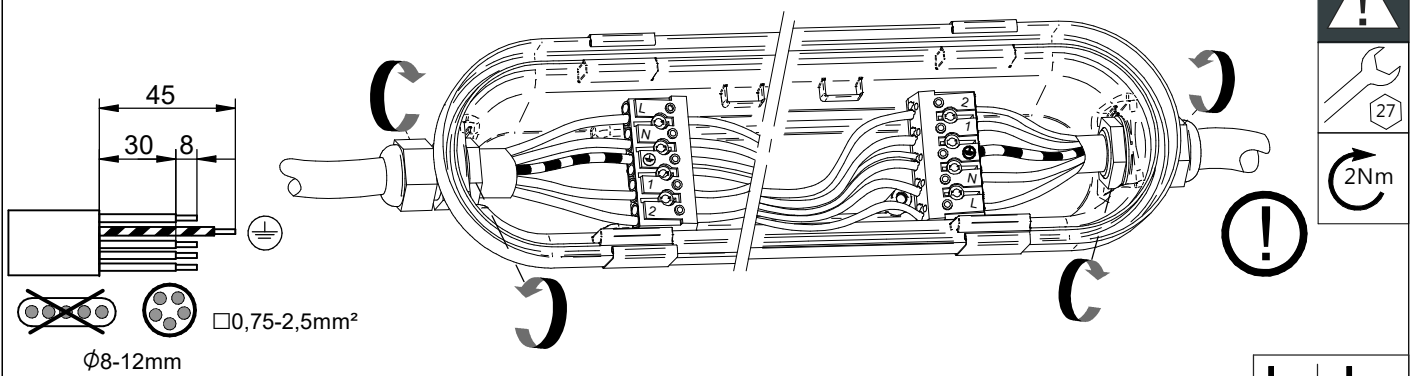
1b

PSU versions



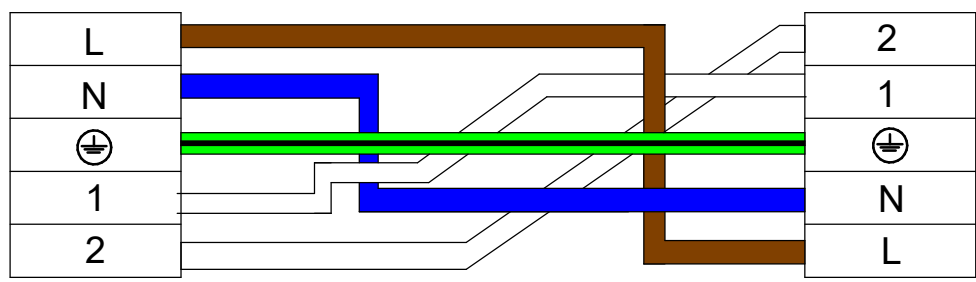
2a

TW3 versions



2b

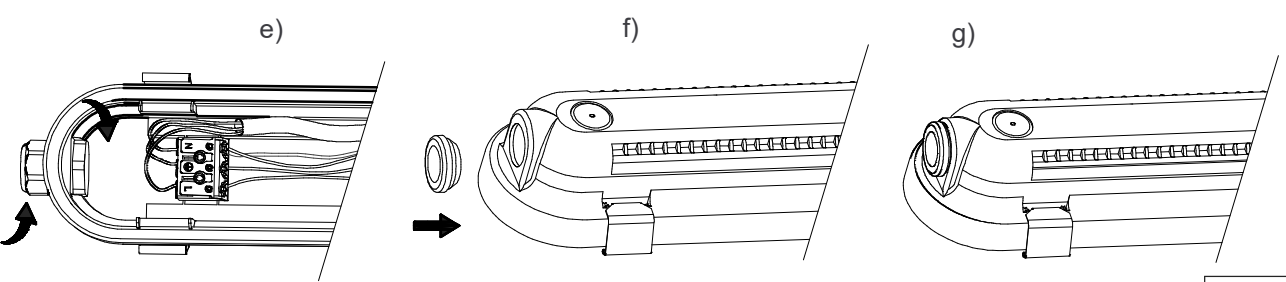
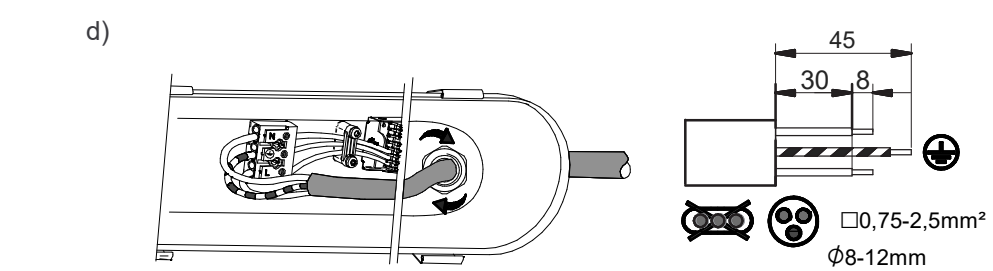
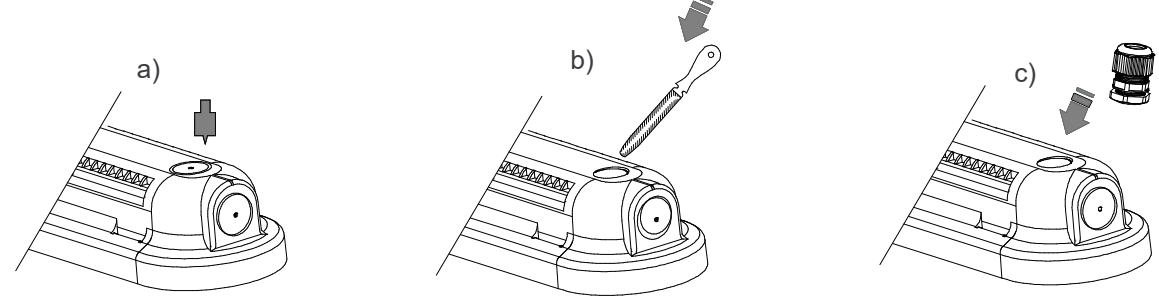
Through wiring



2c

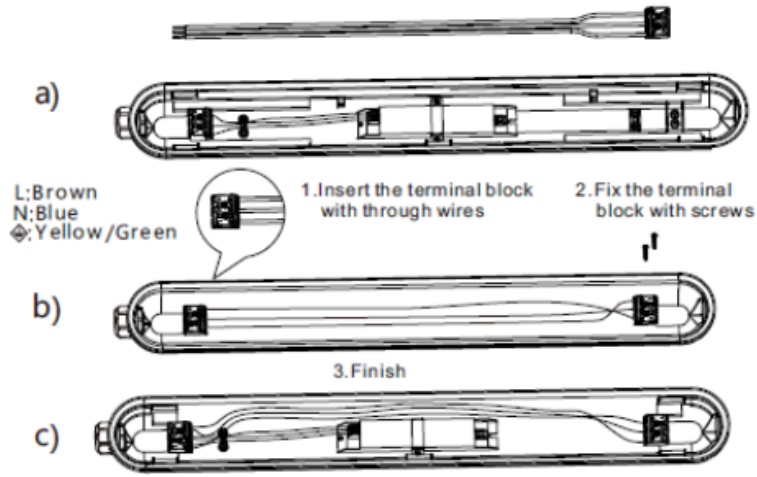
Mid - or side - entry (optional)  
Knock out for cable entry

Switch off the power supply  
before installation



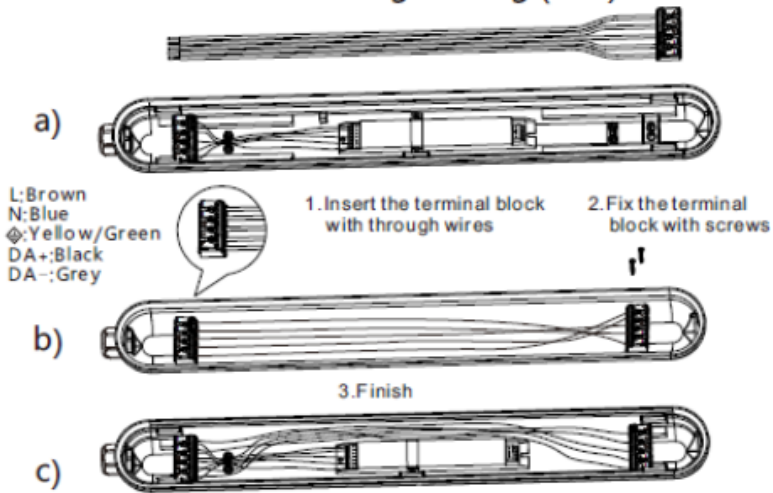
2d

### Internal through wiring (PSU)



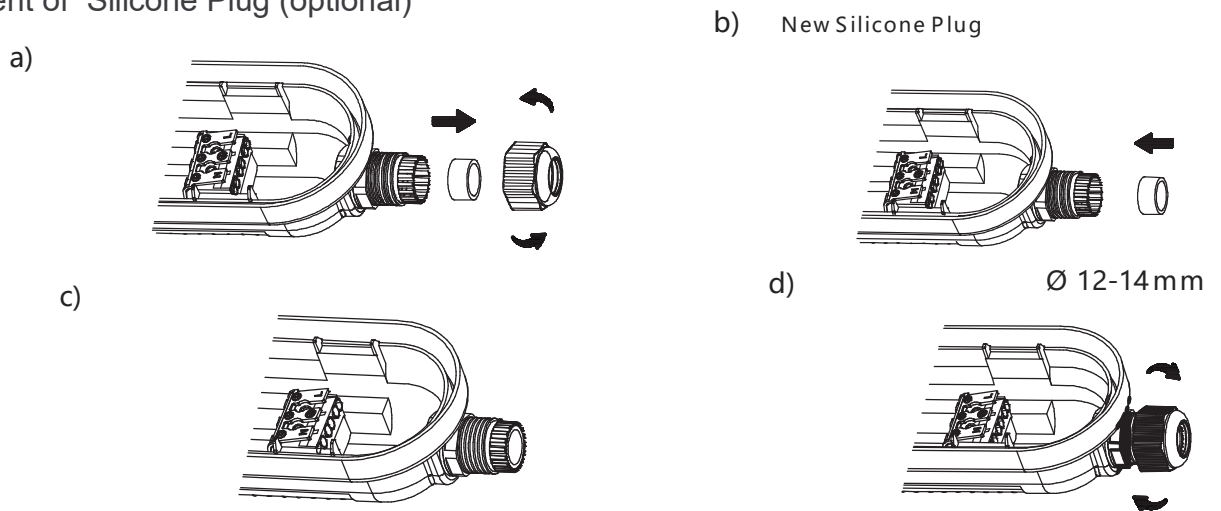
2e

### Internal through wiring (PSD)

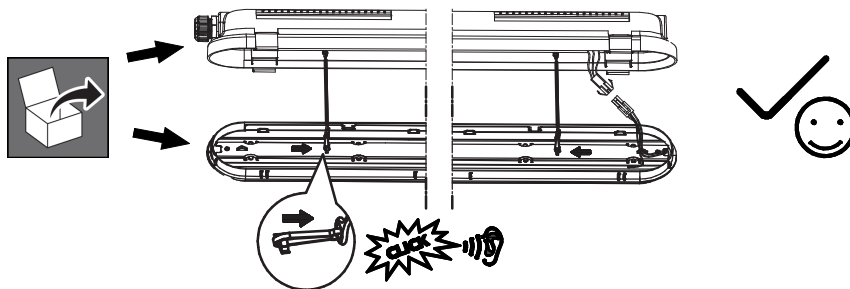


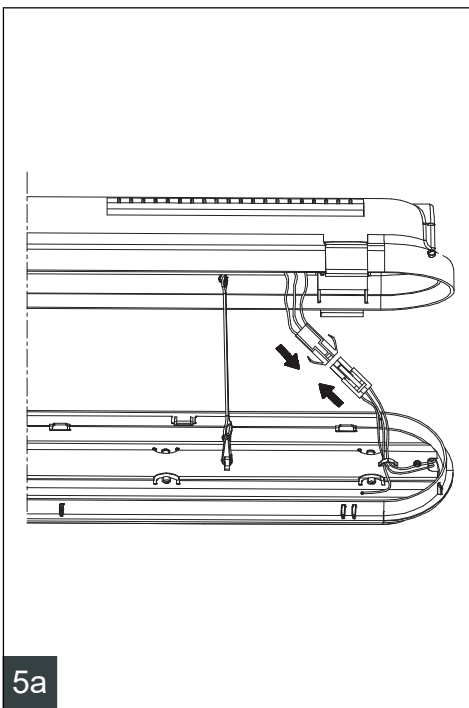
2f

### Replacement of Silicone Plug (optional)

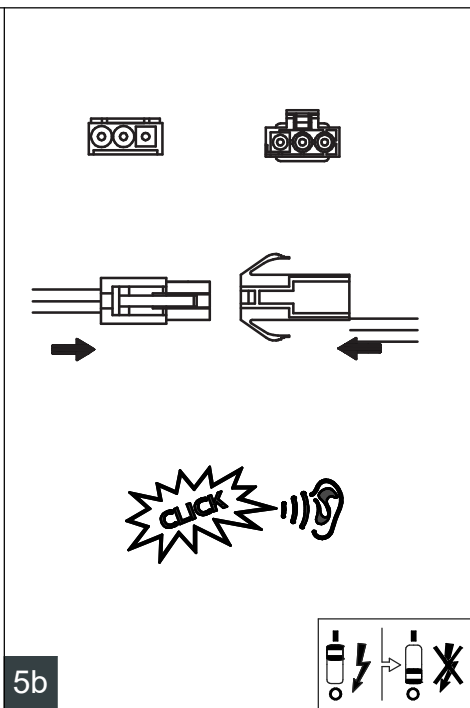


3

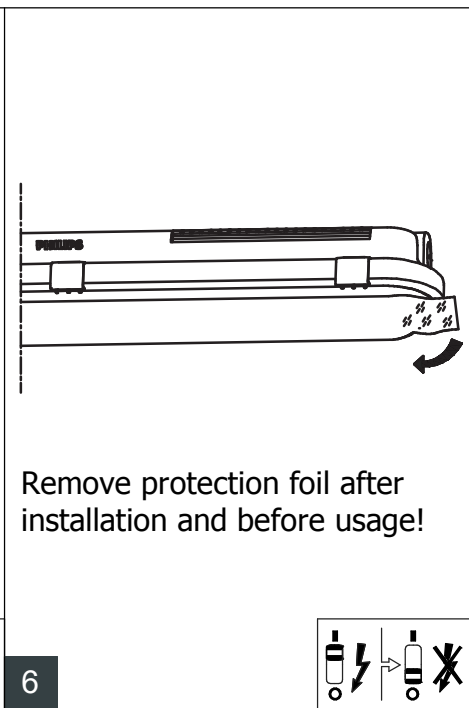




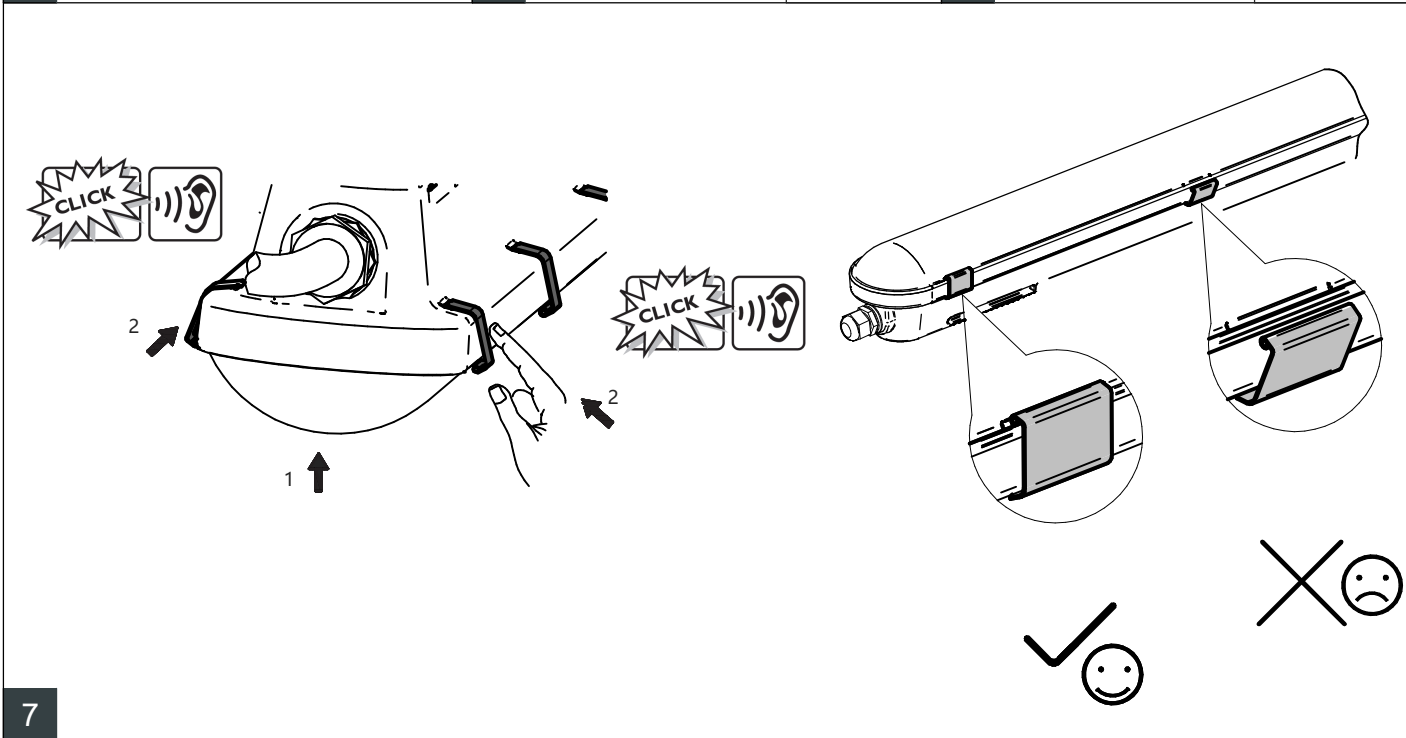
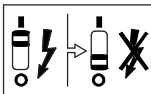
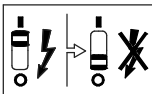
5a



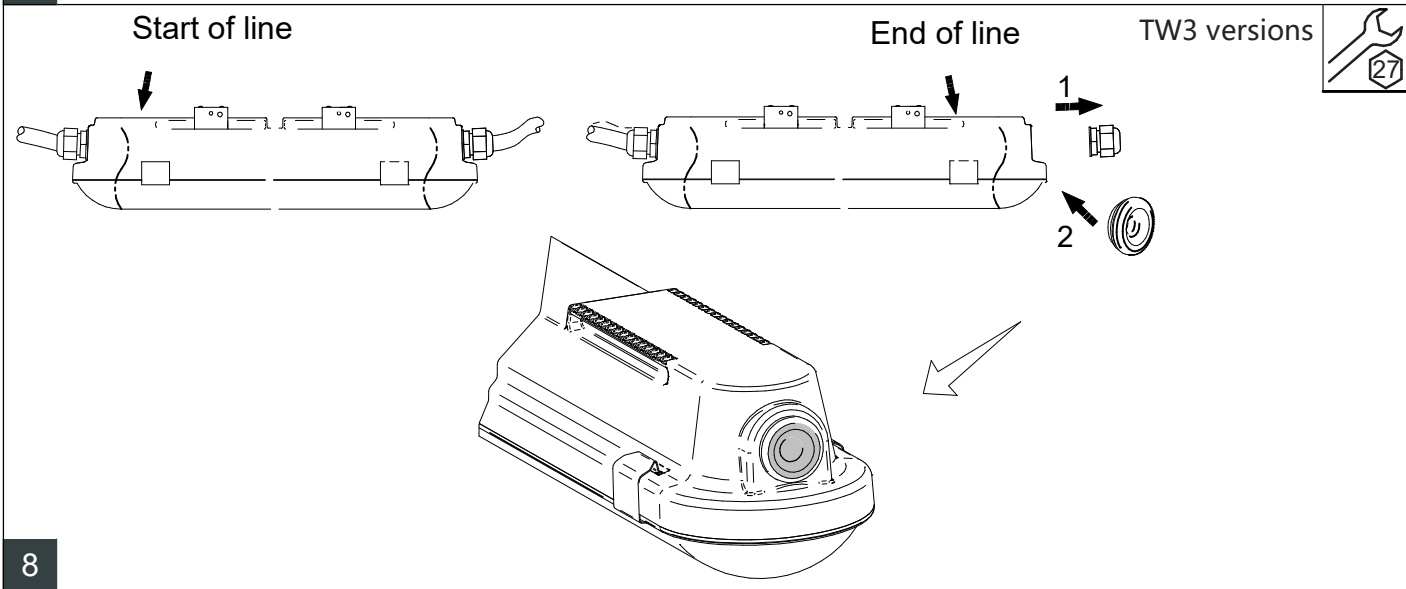
5b



6

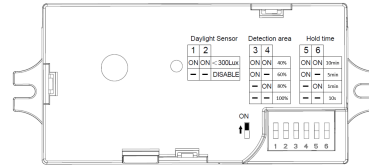
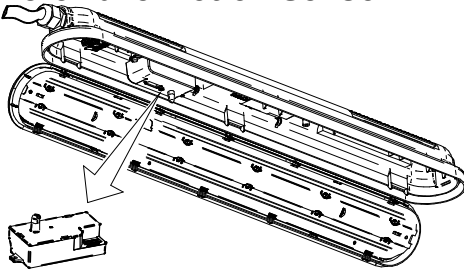


7



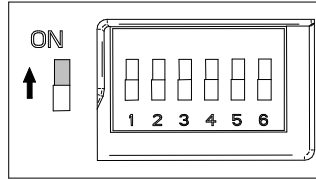
8

# Microwave Motion Sensor



The sensor is designed to connect one load only. Connecting more than one load may damage the sensor.

DIP Switch settings:



**Daylight sensor** (default disabled)  
The sensor can be set to only allow the luminaire to switch on when the ambient lux-level is less than approximately 300[lux]. When set to DISABLE mode, the daylight sensor will switch on the luminaire when motion is detected, regardless of ambient light level

**Detection area** (default 100%)  
Detection area can be reduced by selecting the combination on the DIP switches to fit precisely each application.  
Detection radius: 4 - 9 [m]  
Mounting height up to 4m (\*)

**Hold time** (default 5 min.)  
Refers to the time period the lamp remains on no motion detected.

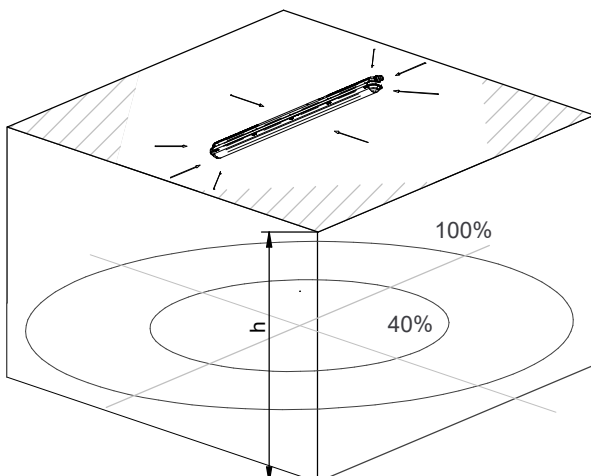
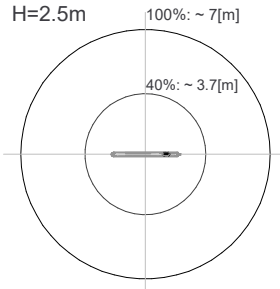
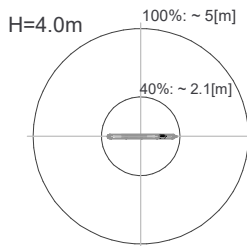
1	2	
ON	ON	<300Lux
-	-	DISABLE

3	4	
ON	ON	40%
ON	-	60%
-	ON	80%
-	-	100%

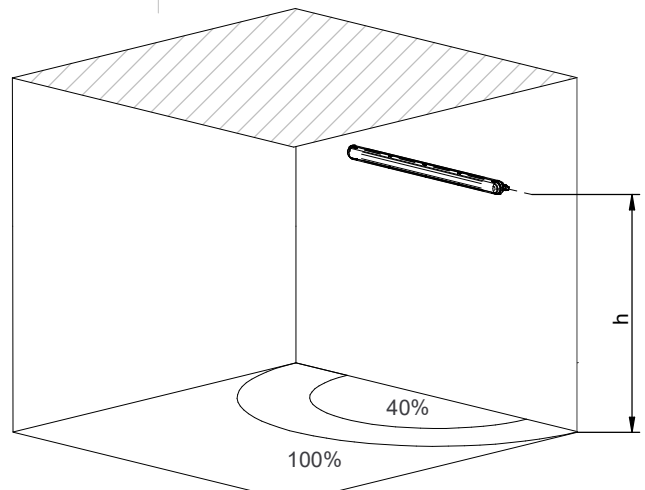
5	6	
ON	ON	10 min
ON	-	5 min
-	ON	1 min
-	-	10 s

9a (\*) Recommended maximum mounting height for optimal sensor performance

Detection range



Ceiling mounting



Wall mounting

Mounting height [m]	Detection area setting	Typical detection radius [m] (+/- 30%)
2,5	100%	~7
2,5	40%	~3 1/2
4,0	100%	~5
4,0	40%	~2

Mounting height [m]	Detection area setting	Typical detection radius [m] (+/- 30%)
2,5	100%	~7
2,5	40%	~3 1/2

9b

The sensor is designed to reliably detect walking people.

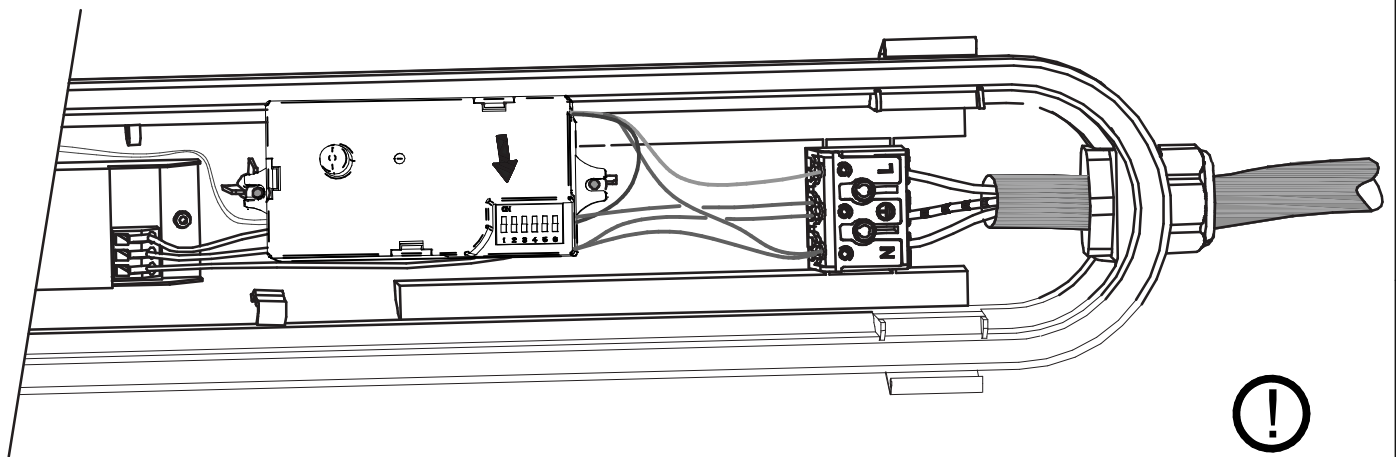
Microwave sensors can detect movement behind walls (brick, dry wood, acrylic board, glass, etc.). The detection behind walls can be reduced by choosing a lower sensitivity setting (use Dip switches 3 and 4 to choose a sensitivity lower than 100%).

Other undesired detections can be caused by: Strong electromagnetic fields; heavy vibrations; water running in pipes. Detection area (sensitivity) can be reduced caused by big metal surfaces nearby or water on the ground.

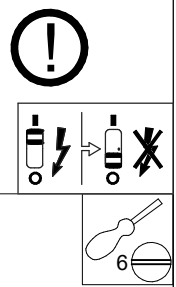
### Initialization:

After power on, the sensor will warm up and calibrate the environment for about 120 seconds. In the first 30 seconds, the light will stay on, then it will be off for 90 seconds. After the light has flashed 3 times it operates normally. If there is movement during the calibration period, the off-time will be extended. If the off-time is extended (no flashing occurred) without movement, this indicates that there is too much disturbance in the environment.

9c



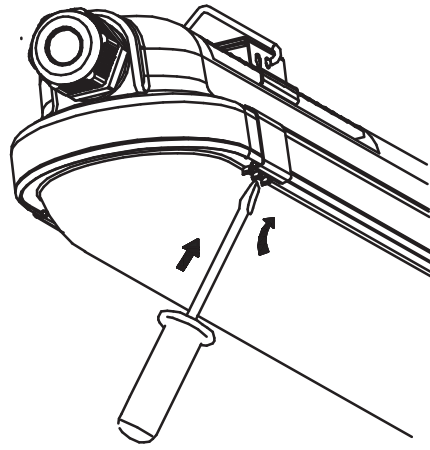
10



### SERVICE

Light source (LED) is non-user replaceable. The light source contained in this luminaire shall only be replaced by the manufacturer or his agent or a similar qualified person.

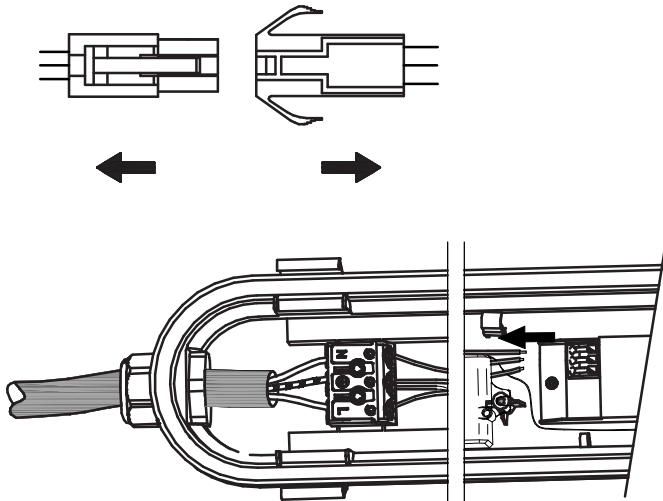
Do not touch electronic components!  
Electronic components maybe under high voltage.  
Caution, risk of electric shock



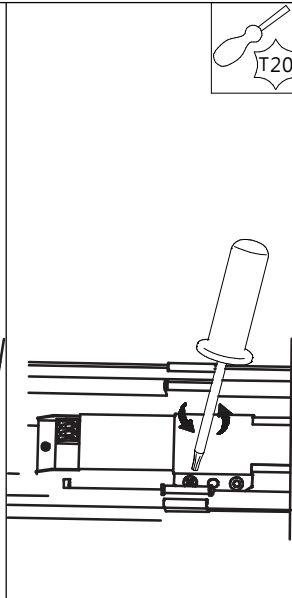
11a



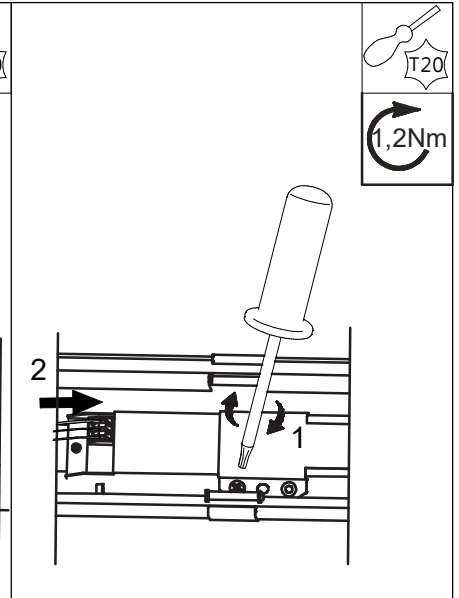
## Driver replacement



11b

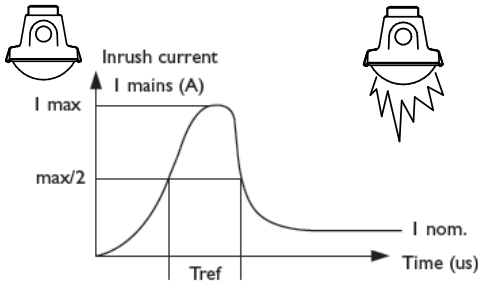
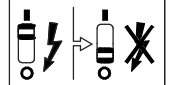


11c



11d

New driver



### Additional Through wiring options:

12NC	Description	EOC
911401816587	WT120Z TW-3x2.5-L600	872016975515499
911401816787	WT120Z TW-3x2.5-L1200	872016975517899
911401816987	WT120Z TW-3x2.5-L1500	872016975519299
911401816687	WT120Z TW-5x2.5-L600	872016975516199
911401816887	WT120Z TW-5x2.5-L1200	872016975518599
911401817087	WT120Z TW-5x2.5-L1500	872016975520899

	LED19S	LED27S	LED34S	LED40S	LED60S	LED80S
Driver type	PSU	PSU	PSU	PSU	PSU	PSU
I <sub>peak</sub> [A]	3.58	3.58	14.2	14.2	14.2	15
T <sub>ref</sub> [μs]	40	40	222	222	222	240
Max. Nr of products						
Drivers / MCB 16A type B [max.]	80	80	36	36	36	31
Drivers / MCB 10A type B [max.]	50	50	22	22	22	19
Drivers / MCB 16A type C [max.]	136	136	61	61	61	52
Drivers / MCB 10A type C [max.]	80	80	37	37	37	32

## Maintenance instructions

- Do not stare into LED light beam.
- The luminaire shall be installed by a qualified electrician and wired in accordance with the latest IEE electrical regulations or the national requirements.
- The light source contained in this luminaire shall only be replaced by the manufacturer or his service agent or a similar qualified person.
- Above average concentration of sulfur effects the useful lifetime of the product. E.g: Light color changes from white to blue. Typically in chicken & pig farms.
- For use in environments where an accumulation of conductive dust on the luminaire may be expected.
- Do not install the luminaire on the location where it is exposed to heavily grease, esp. mineral oil and distillates (petroleum), heavy naphthenic treated with hydrogen.
- This product is not suitable for cold & humid storage areas, especially where obvious temperature gradients are present, such as ventilation opening, door, etc.
- Do not install the luminaire on locations where it is exposed to direct sunlight. UV radiation will damage the material over time resulting in loss of waterproof sealing and IP65 rating.
- Do not install the luminaire on the location where it is exposed to (animal) grease, oil, esp. cooking or mineral oil and distillates (petroleum), heavy naphthenic treated with hydrogen, or swimming pool applications (with chlorine present), or carwash (due to chemicals and/or salt presence).







GB - Disconnect before servicing  
FR - Mettre hors tension avant intervention  
DE - Offen nur spannungsfrei  
NL - Stroom afsluiten voor onderhoud  
LT - Pirms apkopes atvienojiet no elektrības  
EE - Katkesta elektrī toide enne valgusti hooldust/remonti  
PT - Desconecte antes de fazer a manutenção

DK - Frakobl, før service  
NO - Koble fra før service  
FI - Irrota pistoke ennen huolto  
CZ - Před servisem se odpojte  
TR - Servis yapmadan önce bağlantıyı kesin  
HR - Prije servisiranja isključite  
GR - Αποσυνδέστε πριν από τη συντήρηση  
BG - Изключете преди сервис  
RU - Отключите перед обслуживанием  
LV - Pirms apkopes atvienojiet to

IT - Togliere tensione prima di fare manutenzione  
ES - Desconectar antes de manipular  
SE - Bryt strömmen före lampbyte  
SK - Odpojit' pred údržbou  
SI - Pred servisiranjem izključite svetilko  
HU - Karbantartás előtt húzza ki a csatlakozót  
PL - Odłącz przed serwisowaniem  
RO - Deconectați-vă înainte de întreținere

GB	Luminaire has basic insulation between Low Voltage supply and control conductors.	SE	Armaturen har enkelisolerung mellan lågvoltsförsörjningen och styrledningarna.	GR	Το φωτιστικό διαθέτει βασική μόνωση μεταξύ της χαμηλής τάσης τροφοδοσίας και των αγωγών ελέγχου.
ES	La luminaria tiene un aislamiento básico entre la alimentación de baja tensión y los cables de la señal de control.	NO	Armaturet har enkelisolerung mellom lavvoltsforsyningen og styreledningene.	CZ	Ve svítidle je mezi vodiči napájení a řízení základní izolace.
PT	A luminária tem um isolamento básico entre a alimentação de baixa tensão e os cabos de sinal de controlo.	FI	Valaismissa on peruseristys syöttöjännitteen ja ohjausohjtimien välillä.	TR	Armatür, Alçak Gerilim beslemesi ile kontrol iletkenleri arasında temel izolasyona sahiptir
DE	Die Leuchte verfügt über eine einfachen Isolation zwischen der Niederspannungsversorgung und den Steuerleitungen.	HU	A lámpatest kisfeszültségű és szabályozó bemenetei galvanikusan el vannak választva.	SK	Svietidlo má základnú izoláciu medzi vodičmi zdroja nízkeho napätia a riadiacimi vodičmi.
FR	Le luminaire comporte une isolation de base entre l'alimentation basse tension et les câbles de contrôle.	RO	Corpul de iluminat dispune de izolație de bază între sistemul de alimentare de joasă și conductorii de control.	LT	Švietuvos turi elementarią izoliaciją tarp žemos įtampos maitinimo ir valdymo laidų.
IT	Il grado di isolamento tra il conduttore di alimentazione ed il conduttore di segnale è básico.	BG	Осветителното тяло има основна изолация между захранването ниско напрежение и контролните проводници.	LV	Gaismeklim ir pamata izolācija starp zemsprieguma barošanas un vadības aprīkojuma.
NL	Armatuur heeft een basisisolatie tussen laagspannings-voeding en controle bedrading.	RU	Светильник обладает базовой электроизоляцией между низковольтным блоком питания и управляющими проводниками.	EE	Valgusti on põhiisolatsioon madalpinge toite ja juhtimiseseadmete vahel.
DK	Armaturet har enkelisolerung mellem lavvoltsforsyningen og styreledningerne.	PL	Oprawa posiada podstawową izolację pomiędzy modulem zasilania niskonapięciowego i przewodami sterującymi.	SI	Svetilka ima osnovno izolacijo med nizkonapetostnimi napajalnimi in regulacijskimi vodniki.
GB	The light source and/or control gear and/or the external flexible cable contained in this luminaire shall only be replaced by the manufacturer or his service agent or a similar qualified person.	RO	Sursa de lumină și / sau aparatul și / sau cablul flexibil extern conținut în acest aparat de iluminat trebuie înlocuite numai de producător sau de agentul său de service sau de o persoană calificată similară.	HR	Svetiljka ima osnovnu izolaciju između napajanja i upravljačkih konektora.
ES	La fuente de luz/o el driver / o el cable flexible contenido en la luminaria solo podrá ser sustituido por el fabricante o su agente de servicio o por una persona cualificada.	FI	Tässä valaisimessa oleva valonlähde ja/tai muut komponentit, kuten liitäntälaitte ja/tai ulkoiset kaapelit saadaan vaihtaa vain valmistajan tai tämän valtuuttaman huoltoedustajan tai vastaavan pätevän henkilön toimesta.	GR	Η φωτεινή πηγή ή/και τα όργανα έναυσης/ελέγχου ή/και το εξωτερικό εύκαμπτο καλώδιο που περιέχεται στο εν λόγω φωτιστικό πρέπει να αντικαθίστανται μόνο από τον κατασκευαστή ή τον αντιπρόσωπο σέρβις ή παρόμοιο ειδικευμένο πρόσωπο.
PT	A fonte de luz e/ou o equipamento de controlo e/ou o cabo externo flexível nesta luminária só devem ser substituídos pelo fabricante ou pelo seu agente de serviço ou por pessoa qualificada para tal.	TR	Bu armatürde bulunan ışık kaynağı ve / veya kontrol tertibatı ve / veya harici esnek kablo, yalnızca imalatçı veya onun servis temsilcisi veya benzer bir kalifiye kişi tarafından değiştirilmelidir.	BG	Източникът на светлина и / или пусково-регулируща апаратура и / или външният гъвкав кабел, съдържащ се в това осветително тяло, трябва да бъдат заменени само от производителя или неговия оторизиран сервис или подобно квалифицирано лице.
DE	Die in dieser Leuchte enthaltene Lichtquelle und/oder das Betriebsgerät und/oder das externe flexible Anschlusskable darf nur vom Hersteller oder seinem Kundendienst oder einer ähnlich qualifizierten Person ausgetauscht werden.	HR	Izvor svjetlosti i / ili predspojna naprava i / ili vanjski fleksibilni napojni kabel sadržan u ovoj svjetiljci smije zamijeniti samo proizvođač, ovlašten servis ili adekvatna stručno osposobljena i ovlaštena osoba.	RU	Источник света и / или ПРА и / или внешний гибкий кабель, содержащиеся в этом светильнике, могут быть заменены только производителем, его агентом по обслуживанию или аналогичным квалифицированным лицом.
FR	La source lumineuse et/ou le contrôleur de courant et/ou le câble souple d'alimentation contenus dans ce luminaire ne doivent être remplacés que par le fabriquant, un de ses agents ou une personne qualifiée.	GR	Η φωτεινή πηγή ή/και τα όργανα έναυσης/ελέγχου ή/και το εξωτερικό εύκαμπτο καλώδιο που περιέχεται στο εν λόγω φωτιστικό πρέπει να αντικαθίστανται μόνο από τον κατασκευαστή ή τον αντιπρόσωπο σέρβις ή παρόμοιο ειδικευμένο πρόσωπο.	SK	Svetelný zdroj a/alebo predradník a/alebo externý flexibilný kábel obsiahnutý v tomto svietidle môže byť vymenený len výrobcom alebo servisným partnerom alebo inou podobne kvalifikovanou osobou.
IT	La sorgente luminosa e/o il dispositivo di controllo e/o il cavo flessibile esterno contenuti in questo apparecchio di illuminazione sono sostituiti solo dal costruttore o dal suo agente di servizio o da una persona qualificata analoga.	BG	Източникът на светлина и / или пусково-регулируща апаратура и / или външният гъвкав кабел, съдържащ се в това осветително тяло, трябва да бъдат заменени само от производителя или неговия оторизиран сервис или подобно квалифицирано лице.	LT	Švietos šaltinis ir/arba valdymo įrenginys ir/arba išorinis lankstus kabelis esantis šiame švietuve gali būti pakeistas tik gamintojo arba jo aptarnavimo agento ar tai atitinkancio kvalifikuoto asmens.
NL	De lichtbron en/of voorschakelapparatuur en/of de flexibele voedingskabel van dit armatuur mag alleen vervangen worden door de fabrikant of haar service dealer of een vergelijkbaar gekwalificeerd persoon.	RU	Источник света и / или ПРА и / или внешний гибкий кабель, содержащиеся в этом светильнике, могут быть заменены только производителем, его агентом по обслуживанию или аналогичным квалифицированным лицом.	LV	Gaismas avotu un / vai vadības ierīci un / vai ārējo elastīgo kabeli, kas atrodas šajā gaismeklī, drīkst nomainīt tikai ražotājs vai viņa servisa pārstāvis vai līdzīga kvalificēta persona.
DK	Lyskilden og/eller driver og/eller eksterne kabler indeholdt i dette armatur må kun udskiftes af producenten eller godkendt service partner eller lignende kvalificeret person.	SK	Svetelný zdroj a/alebo predradník a/alebo externý flexibilný kábel obsiahnutý v tomto svietidle môže byť vymenený len výrobcom alebo servisným partnerom alebo inou podobne kvalifikovanou osobou.	EE	Selles valgusti sisalduva valgusalika ja/või juhtimiseseadme ja/või välise painduva kaabli võib välja vahetada ainult tootja, vastav hooldusspetsialist või muu samane kvalifitseeritud isik.
SE	Ljuskällan och/eller styrsystemet och/eller den externa kabeln i denna armatur får endast bytas ut av tillverkaren eller en kvalificerad person.	LT	Švietos šaltinis ir/arba valdymo įrenginys ir/arba išorinis lankstus kabelis esantis šiame švietuve gali būti pakeistas tik gamintojo arba jo aptarnavimo agento ar tai atitinkancio kvalifikuoto asmens.	SI	Vir svetlobe in / ali napajalnik in / ali zunanji prilagodljivi kabel, ki ga vsebuje ta svetilka, lahko zamenja le proizvajalec ali njegov servis ali podobna usposobljena oseba.
NO	Lyskilden og/eller driveren og/eller den eksterne kabelen i dette armaturet skal bare erstattes av produsenten eller dens service agent eller tilsvarende kvalifisert person.	LV	Gaismas avotu un / vai vadības ierīci un / vai ārējo elastīgo kabeli, kas atrodas šajā gaismeklī, drīkst nomainīt tikai ražotājs vai viņa servisa pārstāvis vai līdzīga kvalificēta persona.		
CZ	Světelný zdroj a/nebo napájecí zdroj (předradník) a/nebo flexibilní napájecí kabel v tomto svítidle smí vyměňovat pouze výrobce nebo jeho servisní technik nebo obdobně kvalifikovaná osoba.	EE	Selles valgusti sisalduva valgusalika ja/või juhtimiseseadme ja/või välise painduva kaabli võib välja vahetada ainult tootja, vastav hooldusspetsialist või muu samane kvalifitseeritud isik.		
HU	A lámpatestben található fényforrást és/vagy működtető szerelvényt és/vagy a külső rugalmas kábelt csak a gyártó, a gyártóval szerződött cég vagy megfelelő képzéssel rendelkező szakember cserélheti ki.	SI	Vir svetlobe in / ali napajalnik in / ali zunanji prilagodljivi kabel, ki ga vsebuje ta svetilka, lahko zamenja le proizvajalec ali njegov servis ali podobna usposobljena oseba.		
PL	Źródło światła i/lub zasilacz i/lub zewnętrzny przewód zasilający, który jest w oparciu powinien być wymieniony przez producenta lub jego serwisanta lub kwalifikowany personel.				

- GB Storage, installation, use, operation and maintenance of the products needs to be performed exactly according the instructions in this manual and/or other instructions as may be provided by us to guarantee safe use of the product over its entire lifetime. Failure to adhere to these instructions will invalidate your entitlement to warranty. Bolts with indication of torque strength on the drawing need to be tightened using a calibrated torque wrench. Pre-assembled bolts need to be retightened again to the required torque specification to assure maximum strength over lifetime.
- ES El almacenamiento, instalación, uso, funcionamiento y mantenimiento de este producto debe realizarse exactamente según las instrucciones de este manual, así como otras instrucciones que le proporcionemos con el fin de garantizar un uso seguro del producto durante toda su vida útil. Si no se cumplen estas instrucciones, la garantía quedará anulada. Los tornillos con indicación de par de apriete en el dibujo, deben apretarse con una llave dinamométrica calibrada. Los tornillos del acoplamiento premontados deben reapretarse de nuevo con la especificación de par de apriete necesaria para garantizar una solidez máxima durante toda la vida útil de la luminaria.
- PT Para garantir uma utilização segura do produto durante a respetiva vida útil, o armazenamento, a instalação, a utilização, a operação e a manutenção dos produtos tem de ser efetuados exatamente de acordo com as instruções neste manual e/ou com outras instruções que possam ser fornecidas por nós. O incumprimento destas instruções irá invalidar o direito a garantia. Os parafusos com indicação do torque no esquema tem de ser apertados utilizando uma chave dinamométrica calibrada. Os parafusos pré-montados tem de ser novamente apertados de acordo com a especificação de torque necessário para garantir uma resistência máxima durante a vida útil.
- DE Lagerung, Installation, Verwendung, Betrieb und Wartung der Produkte müssen genau nach den Anweisungen in dieser Anleitung und/oder anderen von uns zur Verfügung gestellten Anweisungen erfolgen, um eine sichere Verwendung des Produkts über seine gesamte Lebensdauer zu gewährleisten. Bei Nichtbeachtung dieser Hinweise erlischt Ihr Anspruch auf Gewährleistung. Schrauben mit Angabe der Drehmomente auf der Zeichnung müssen mit einem kalibrierten Drehmomentschlüssel angezogen werden. Vormontierte Schrauben müssen mit dem angegebenen Drehmoment nachgezogen werden, um eine maximale Festigkeit über die gesamte Lebensdauer zu gewährleisten.
- FR Le stockage, l'installation, l'utilisation et la maintenance des produits doivent être effectués conformément aux instructions de ce manuel et / ou d'autres instructions que nous fournissons afin de garantir une utilisation sûre du produit pendant toute sa durée de vie. Le non-respect de ces instructions invalidera votre droit à la garantie. Les vis, dont les couples de serrage sont indiqués sur les schémas, doivent être serrés à l'aide d'une clé dynamométrique étalonnée. Les vis préassemblées doivent être resserrées à nouveau selon la spécification de couple de serrage requis afin d'assurer leur résistance maximale pendant toute leur durée de vie.
- IT Le stock, l'installazione, l'uso, il funzionamento e la manutenzione dei prodotti devono essere eseguiti esattamente in base alle istruzioni contenute nel presente manuale e / o in altra documentazione fornita da noi per garantire la sicurezza del prodotto per l'intera durata del suo utilizzo. La mancata osservanza di queste istruzioni annullerà la garanzia. I bulloni, con indicazione sull'intensità della coppia serraggio sul disegno devono essere serrati utilizzando una chiave dinamometrica calibrata. I bulloni pre-assemblati devono essere riserrati nuovamente secondo le specifiche di coppia richieste per assicurare la massima resistenza per tutta la durata.
- NL Om een veilig gebruik van dit product gedurende zijn hele levensduur te garanderen, dient het opslaan, installeren, gebruiken, bedienen en onderhouden ervan exact te worden uitgevoerd in overeenstemming met de instructies in deze handleiding en/of andere door ons geleverde instructies. Niet opvolgen van deze instructies maakt uw garantieaanspraken ongeldig. Bouten waarvan in de tekening het aanhaalkoppel is vermeld, dienen te worden vastgezet met behulp van een momentsleutel. Voorgeassembleerde bouten dienen opnieuw te worden aangehaald tot het vereiste koppel om maximale strekte gedurende de hele levensduur te waarborgen.
- DK Opbevaring, installation, brug, betjening og vedligeholdelse af produkterne må kun udføres ifølge instruktionerne i denne vejledning og/eller eventuelle øvrige instruktioner fra Signify for at garantere sikker brug af produktet i hele dets levetid. Hvis disse instruktioner ikke følges, bortfalder produktgarantien. Bolte/skruer med angivet spændingsmoment på tegningen skal spændes med en indstillet momentnøgle. Færdigsamlende bolte/skruer skal efterspændes i henhold til det specificerede moment for at sikre maksimal fastgørelse i hele produktets levetid.
- SE Förvaring, installation, användning, drift och underhall av produkterna måste utföras enligt instruktionerna i denna handbok och/eller andra instruktioner som kan tillhandahållas av oss för att garantera säker användning. Om instruktioner inte följs frångår man produktgarantin. Skruvar där vridmoment anges på ritningen måste dras åt med en kalibrerad skiftnyckel. Förmonterade skruvar måste dras åt igen med angivet vridmoment för att säkerställa högsta styrka under livslängden.
- NO Oppbevaring, montering, bruk, drift og vedlikehold av produktene må utføres nøyaktig i samsvar med instruksjonene i denne handboken og/eller andre instruksjoner vi måtte gi for a garantere sikker bruk av produktet i hele dets levetid. Hvis instruksjonene ikke følges, bortfaller garantien. Bolter med angivelse av dreiemoment på tegningen må strammes med en kalibrert momentnøkkel. Ferdigmonterte bolter må strammes på nytt til pakrevd dreiemoment for a sikre maksimal styrke i hele produktets levetid.
- FI Tuotteiden asennuksessa, käytössä ja huollossa on noudatettava tarkoin tässä käyttöoppaassa tai muissa toimittamisamme ohjemateriaaleissa annettuja ohjeita. Tämä varmistaa tuotteen turvallisen toiminnan koko sen käyttöajan ajan. Näiden ohjeiden noudattamatta jättäminen mitätöi kaikki oikeutesi takuukorvauksiin. Pultit, joiille on asennusohjeessa ilmoitettu tietty kiristystiukkuus, on kiristettävä kalibroidulla momenttiavaimella. Esiasennetut pultit on kiristettävä ilmoitettuun kiristystiukkuuteen koko käyttöajan mittaisen kestävyuden varmistamiseksi.
- HU A termékék tárolását, telepítését, használatát, üzemeltetését és karbantartását pontosan a jelen kézikönyvben és / vagy az általunk biztosított egyéb utasításoknak megfelelően kell elvégezni, hogy garantáljuk a termék biztonságos használatát az élettartama alatt. Ezen utasítások be nem tartása érvényteleníti a jótállási jogát. A rajzon a nyomaték-erősséggel jelzett csavarokat meg kell húzni egy kalibrált nyomatékkulccsal. Az előre összeszerelt csavarokat újra meg kell húzni a szükséges nyomaték specifikációhoz, hogy biztosítsák a maximális szilárdságot az élettartam során.
- PL Przechowywanie, instalacja, użytkowanie, obsługa i konserwacja produktów musi odbywać się ściśle według wytycznych zawartych w niniejszej instrukcji i / lub w innych instrukcjach, które dołączamy aby zagwarantować bezpieczne użytkowanie produktu przez cały okres eksploatacji. Nieprzestrzeganie tych instrukcji może spowodować utratę prawa do gwarancji. Śruby, przedstawione na rysunku wskazującym siłę momentu dokręcania, muszą być dokręcone za pomocą kalibrowanego klucza dynamometrycznego. Aby zapewnić maksymalną wytrzymałość w całym okresie użytkowania, wstępnie zamontowane śruby należy dokręcić zgodnie z wymaganą specyfikacją momentu dokręcania.
- RO Depozitarea, instalarea, utilizarea, operarea și întreținerea produselor trebuie să fie efectuate exact în conformitate cu instrucțiunile din acest manual și/sau cu alte instrucțiuni care pot fi furnizate de noi pentru a garanta utilizarea în siguranță a produsului, pe întreaga durată de viașă a acestuia. Nerespectarea acestor instrucțiuni vă va anula dreptul la garanție. Șuruburile care au cuplul de strângere indicat pe desen, trebuie să fie strânse cu ajutorul unei chei dinamometrice calibrate. Șuruburile preasamblate trebuie să fie strânse din nou la specificația de cuplu cerută, pentru a asigura rezistența maximă pe întreaga durată de viașă.
- CZ Při uchovávání, montáži, používání a údržbě produktů je třeba postupovat přesně podle pokynů v této příručce a dalších našich případných pokynů, které zajišťují bezpečné používání produktů po celou dobu jejich životnosti. Když tyto pokyny dodržovat nebudete, přijdete o záruku. Šrouby, které mají na výkresu uveden utahovací moment, je třeba utahovat zkalibrovaným momentovým klíčem. Předem namontované šrouby je třeba dotáhnout požadovaným momentem, aby po dobu životnosti produktu držely na místě.

TR	Ürünlerin saklanması, kurulumu, kullanımı, çalıştırılması ve bakımı, ürünün kullanım ömrü boyunca güvenli kullanımının sağlanması amacıyla tam olarak bu kılavuzdaki ve / veya tarafımızdan sağlanan diğer talimatlara uygun biçimde gerçekleştirilmelidir. Söz konusu talimatlara uyulmaması, ürünle ilgili garanti hakkınızı geçersiz kılar. Teknik çizimde yanında sıkma torku değeri belirtilen civatalar kalibre edilmiş bir tork anahtarı kullanılarak sıkılmalıdır. Önceden takılmış olarak gelen civataların da belirtilen tork değerine uygun biçimde yeniden sıkılması, kullanım ömrü boyunca maksimum dayanıklılığın sağlanması açısından önemlidir.		
BG	Съхранението, инсталирането, употребата, експлоатацията и поддръжката на продуктите трябва да се извършват точно в съответствие с указанията в това ръководство и / или други инструкции, които могат да бъдат предоставени от нас, за да се гарантира безопасна употреба на продукта през целия му експлоатационен живот. Неспазването на тези указания ще обезсили Ващото право на гаранция. Болтовете с индикация за силата на въртящия момент на чертежа трябва да бъдат затегнати с помощта на калибриран гаечен ключ. Предварително сглобените болтове трябва да бъдат отново затегнати до изискваната спецификация на въртящия момент, за да осигурят максимална якост по време на експлоатационния живот.		
GR	Η αποθήκευση, η εγκατάσταση, η χρήση, η λειτουργία και η συντήρηση των προϊόντων πρέπει να γίνεται ακριβώς σύμφωνα με τις οδηγίες του παρόντος εγχειριδίου ή / και τις άλλες οδηγίες που ενδεχομένως να παρασχεθούν, προκειμένου να είναι εγγυημένη η ασφαλής χρήση του προϊόντος για ολόκληρη τη διάρκεια ζωής του. Η μη εφαρμογή αυτών των οδηγιών θα ακυρώσει τα δικαιώματά σας στο πλαίσιο της εγγύησης. Οι βίδες με ένδειξη τιμής ροπής σύσφιξης στο σχέδιο θα πρέπει να σφίχτούν με τη χρήση ενός βαθμονομημένου ροπακλειδού. Οι προ-συναρμολογημένες βίδες πρέπει να σφίχθούν και πάλι η εν απαιτούμενη τιμή ροπής σύσφιξης, προκειμένου να διασφαλιστεί η μέγιστη ισχύς σε όλη τη διάρκεια ζωής.		
RU	Чтобы гарантировать безопасное использование этого изделия на протяжении всего соответствующего срока службы, его хранение, установку, использование, эксплуатацию и обслуживание необходимо осуществлять в точном соответствии с приведенными в настоящем руководстве инструкциями и (или) иным инструкциями, которые могут быть предоставлены нами. Несоблюдение этих инструкций приведет к потере прав на гарантию. Болты, для которых на чертеже указан крутящий момент, необходимо затягивать калиброванным динамометрическим ключом. Для обеспечения максимальной прочности изделия в течение всего срока службы болты, завинченные в ходе предварительной сборки, необходимо подтянуть до указанного момента.		
SK	Uskladnenie, inštalácia, používanie a údržba produktov je potrebné postupovať presne podľa pokynov v manuáli a/alebo iných nami poskytnutých pokynov, ktoré zaisťujú bezpečné používanie produktu počas celej doby životnosti. Nedodržaním týchto pokynov sa ruší záruka. Skrutky s naznačenou silou utiahnutia, musia byť utáňované kalibrovaným momentovým kľúčom. Vopred namontované skrutky musia byť znovu utiahnuté podľa požadovanej špecifikácie, aby komponenty držali na mieste počas celej životnosti.		
HR	Pohranjivanje, instaliranje, uporaba, korištenje i održavanje proizvoda treba se vršiti točno u skladu s uputama u ovom priručniku i/ili s drugim uputama osiguranim s naše strane kako bi se jamčila sigurna uporaba proizvoda kroz cijeli radni vijek. Nepoštivanje ovih uputa poništava vaše pravo na jamstvo. Vijci s indiciranim momentom zatezanja na nacrtu trebaju biti učvršćeni korištenjem zateznog alata s kalibriranim momentom zatezanja. Također i već učvršćeni vijci trebaju biti dotezani do specificiranog zateznog momenta kako bi se osigurala učvršćenost tijekom cijelog radnog vijeka.		
LT	Produktų saugojimas, montavimas, naudojimas, eksploatavimas ir priežiūra turi būti atlikti tiksliai pagal instrukcijas, pateiktas šiame vadove ir (arba) kitas instrukcijas, kurias mes galime pateikti, kad garantuotume saugų gaminio naudojimą per visą jo eksploatavimo laiką. Jei nesilaikysite šių instrukcijų nurodymų bei reikalavimų, jūsų teisė į garantiją bus panaikinta ir nebegalios. Varžtai, nurodantys sukimo momento stiprumą brėžinyje, turi būti užveržti naudojant kalibruotą sukimo momento veržliaraktį. Iš anksto sumontuotus varžtus reikia vėl priveržti iki reikiamo sukimo momento, kad būtų užtikrintas maksimalus tvirtumas per visą eksploatavimo laiką.		
LV	Izstrādājumu uzglabāšana, uzstādīšana, lietošana un apkope jāveic precīzi saskaņā ar šajām rokasgrāmatā sniegtajām instrukcijām un / vai citām instrukcijām, kuras mēs varam piedāvāt, lai garantētu produkta drošu lietošanu visā tā darbības laikā. Neievērojot šos norādījumus, jūsu tiesības uz garantiju tiek anulētas. Bulskrūves ar norādi uz griezes stiprumu zīmējumos jābūt pieskrūvētam izmantojot kalibrētu griezes atslēgu. Iepriekš samontētās skrūves ir atkal jāpievelk līdz vajadzīgajai griezes specifikācijai, lai nodrošinātu maksimālu pieguli visā ekspluatācijas laikā.		
EE	Toodete ladustamine, paigaldamine, kasutamine, käitamine ja hooldus tuleb läbi viia täpselt vastavalt selle juhendi juhistele ja/või muudele meie poolt pakutavatele juhistele, et tagada toote ohutu kasutamine kogu selle toote eluaja jooksul. Nende juhiste mittejärgimine kaotab teie õiguse garantiile. Poldid, millel on joonisel toodud pöördemomendi tugevus, tuleb pingutada kalibreeritud pöördemomendi mutrivõtme abil. Eelnevalt kinnitatud poldid tuleb uuesti pingutada vastavalt nõutavale pöördemomendi spetsifikatsioonile, et tagada maksimaalne kinnituse tugevus kogu eluea jooksul.		
SI	Skladiščenje, namestitve, uporaba, delovanje in vzdrževanje izdelkov mora biti natančno izvedeno v skladu z navodili v tem priročniku in / ali drugimi navodili za zagotovitev vame uporabe izdelka skozi celotno življenjsko dobo. V primeru neupoštevanja teh navodil, se lahko razveljavi pravica do garancije. Vijake, ki imajo označen navor, je potrebno zategniti s kalibriranim navomim ključem. Vijake, ki so že sestavljeni, je potrebno znova priviti v skladu z zahtevanim navorom, da je zagotovljena maksimalna moč skozi življenjsko dobo.		
GB	This product contains a light source of energy efficiency class: see table or label.	RO	Acest produs contine o sursă de lumină cu clasa de eficiență energetică: a se vedea tabelul sau eticheta.
ES	Este producto contiene una fuente luminosa de la clase de eficiencia energética: ver tabla o etiqueta.	CZ	Tento výrobek obsahuje světelný zdroj s třídou energetické účinnosti: viz tabulka nebo štítek.
PT	Este produto contém uma fonte de luz da classe de eficiência energética: ver tabela ou rótulo.	FI	Tämä tuote sisältää valonlähteen, jonka energiatehokkuusluokka on: katso taulukko tai etiketti.
DE	Dieses Produkt enthält eine Lichtquelle der Energieeffizienzklasse: siehe Tabelle oder Etikett.	SE	This Denna produkt innehåller en ljuskälla med energieffektivitetsklass: se tabell eller etikett.
FR	Ce produit conti nt une source lumineuse de classe d'efficacité énergétique: voir tableau ou étiquette.	HU	Ez a termék egy energiatékonysági osztályú fényforrást tartalmaz: lásd a táblázatot vagy a címkét.
IT	Questo prodotto contiene una sorgente luminosa di classe di efficienza energetica: vedere tabella o etichetta.	SK	Tento výrobok obsahuje svetelný zdroj triedy energetickej účinnosti: pozri tabuľku alebo štítok.
NL	Dit product bevat een lichtbron van energie-efficiëntieklasse: zie tabel of label.	HR	Ovaj proizvod sadržiava izvor svjetlosti klase nemetske učinkovitosti: vidi tablicu ili naljepnicu.
DK	Denne produkt indeholder en lyskilde i energieffektivitetsklasse: se table eller etiket.	LV	Šis ražojums satur gaismas avotu, kura energoefektivitātes klase ir: skatīt tabulu vai etiķeti.
LT	Šiame gaminyje yra šviesos šaltinis, kurio energijos vartojimo efektyvumo klasė: žr. lentelę arba etiketę.	EE	Toode sisaldab energiatõhususe klassi valgusallikat: vt tabelit või etiketti.
GR	Το προϊόν αυτό περιέχει φωτεινή πηγή της τάξης ενεργειακής απόδοσης: βλέπε πίνακα ή ετικέτα.	BG	Този продукт включва светлинен източник с клас на енергийна ефективност: вижте таблицата или етикета.
PL	Ten produkt zawiera źródło światła o klasie efektywności energetycznej: patrz tabela lub etykieta.	SI	Ta izdelek vsebuje svetlobni vir razreda energijske učinkovitosti: glej tabelo ali nalepko.

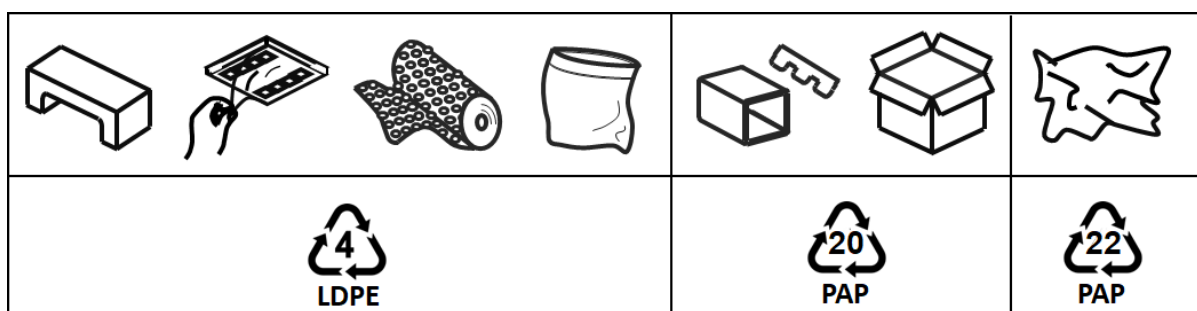
- GB Zhaga-D4i and SR certified compatibility** - For Zhaga-D4i/SR-Certified based luminaires only Zhaga-D4i/SR-Certified components/sensors are to be used (see also: <https://www.zhagastandard.org/products> / <https://www.lighting.philips.co.uk/oem-emea/products/driving-connected-lighting>). The functional compatibility of two SR-certified and/or Zhaga-D4i controllers/sensors to be used in combination, as well as the override possibility of any line-switch function used in an SR-based/Zhaga-D4i luminaire, is to be released by the master controller/sensor supplier. If using a NEMA 7-pin socket on an SR-based luminaire, a full system verification is required. Not following this advice can/will cause risk of damage and non-compliance for which Signify cannot take any responsibility.
- ES Zhaga-D4 y certificación de compatibilidad con SR** – Para las luminarias certificadas Zhaga-D4i/SR, solo deben utilizarse controladores/sensores con certificación Zhaga-D4i/SR (vease también: <https://www.zhagastandard.org/products> / <https://www.lighting.philips.co.uk/oem-emea/products/driving-connected-lighting>). La compatibilidad funcional de 2 controladores/sensores y/o Zhaga-D4i (con certificación SR) que vayan a utilizarse en combinación, así como la posibilidad de anulación de cualquier función lineswitch utilizada en una luminaria basada en Zhaga-D4i/SR, debe ser especificada por el proveedor del controlador/sensor maestro. En el caso de usar una base terminal de 7 patillas NEMA, en una luminaria basada en SR se requiere una verificación completa del sistema. No seguir estos consejos puede provocar o provocará un riesgo de daños e incumplimiento del que Signify no puede hacerse responsable.
- PT Compatibilidade certificada con Zhaga-D4i e SR** - As luminárias baseadas em Zhaga-D4i/SR certificado são apenas compatíveis com a utilização de componentes/sensores com certificação Zhaga-D4i/SR (ver também: <https://www.zhagastandard.org/products> / <https://www.lighting.philips.co.uk/oem-emea/products/driving-connected-lighting>). A compatibilidade funcional de 2 controladores/sensores com certificação Zhaga-D4i/SR a serem utilizados em conjunto, bem como a possibilidade de sobreposição de qualquer função LineSwitch utilizada numa luminária baseada em Zhaga-D4i/SR deverão ser disponibilizadas pelo fornecedor do controlador/sensor principal. É necessário proceder a uma verificação integral do sistema para utilizar uma tomada NEMA de 7 pinos com uma luminária baseada em SR. O incumprimento destas recomendações poderá/irá originar o risco de danos e inconformidades relativamente aos quais a Signify não poderá assumir qualquer responsabilidade.
- DE Zhaga-D4i und System Ready zertifizierte Kompatibilität** - Für Zhaga-D4i/SR-zertifizierte basierte Leuchten dürfen nur Zhaga-D4i/SR-zertifizierte Komponenten/Sensoren verwendet werden (siehe auch: <https://www.zhagastandard.org/products> / <https://www.lighting.philips.co.uk/oem-emea/products/driving-connected-lighting>). Funktionale Kompatibilität von 2 Zhaga-D4i/SR-zertifizierten Steuergerät/Sensoren zur Verwendung in Kombination oder als Umgehungsmöglichkeit für Leitungsschaltungsfunktionen in einer Zhaga-D4i/SR-basierten Leuchte, freizugeben vom Lieferanten der Master-Steuergerät/Sensor. Zur Verwendung des NEMA 7 Pin-Socket an einer SR-basierten Leuchte ist eine vollständige Systemverifizierung erforderlich. Die Nichteinhaltung dieser Vorgaben kann zu Beschädigungen oder der Nichteinhaltung von Bestimmungen führen, für die Signify keinerlei Verantwortung übernehmen kann.
- FR Compatibilité certifiée Zhaga-D4i et SR** - Pour les luminaires qui reposent sur la technologie certifiée Zhaga-D4i/SR, seuls les composants/capteurs certifiés Zhaga-D4i/SR peuvent être utilisés (voir aussi : <https://www.zhagastandard.org/products> / <https://www.lighting.philips.co.uk/oem-emea/products/driving-connected-lighting>). La compatibilité fonctionnelle de 2 contrôleurs / capteurs certifiés Zhaga-D4i/SR à utiliser ensemble ainsi que la possibilité de forçage de toute fonction d'interrupteur de ligne utilisée dans un luminaire reposant sur la technologie Zhaga-D4i/SR doivent être rendues possibles par le fournisseur original de contrôleurs/capteurs. Pour l'utilisation de la prise NEMA 7 broches sur un luminaire reposant sur la technologie SR, une vérification complète du système est requise. Ne pas suivre ces conseils peut/peut entraîner des risques de dommages et de non-conformité pour lesquels Signify ne peut être tenue pour responsable.
- IT Compatibilità certificata Zhaga-D4i e SR** - Negli apparecchi in versione certificata Zhaga-D4i/SR devono essere utilizzati solo componenti/sensori certificati Zhaga-D4i/SR (consulta anche: <https://www.zhagastandard.org/products> / <https://www.lighting.philips.co.uk/oem-emea/products/driving-connected-lighting>). La compatibilità funzionale di 2 controller/sensori certificati Zhaga-D4i/SR da utilizzare in combinazione e la possibilità di comandare la funzione lineswitch di un apparecchio di illuminazione Zhaga-D4i/SR, deve essere rilasciata dal fornitore del controller/sensore. Per utilizzare l'attacco NEMA 7pin su un apparecchio d'illuminazione SR sono necessarie delle verifiche. La mancata verifica può causare danni per non conformità per i quali Signify non si assume alcuna responsabilità.
- NL Zhaga-D4i/SR-gecertificeerde compatibiliteit** - Voor Zhaga-D4i/SR-geschiedte armaturen dienen alleen Zhaga-D4i/SR-gecertificeerde componenten en/of sensoren te worden gebruikt (zie ook: <https://www.zhagastandard.org/products> / <https://www.lighting.philips.co.uk/oem-emea/products/driving-connected-lighting>). Functionele compatibiliteit van twee Zhaga-D4i/SR-gecertificeerde componenten en/of sensoren die in combinatie worden gebruikt, evenals overbruggingsmogelijkheid van een eventuele LineSwitch-functie die wordt gebruikt in een Zhaga-D4i/SR-geschiedte armatuur, dient te worden vrijgegeven door de leverancier van de hoofdkomponent/sensor. Bij gebruik van de NEMA 7 pins aansluitbus op een SR-geschiedte armatuur is een volledige systeemverificatie vereist. Het niet opvolgen van deze adviezen of het niet voldoen aan de systeemvereisten geeft risico op schade waarvoor Signify geen enkele verantwoordelijkheid kan nemen.
- DK Zhaga-D4i og SR-certificeret kompatibilitet** - Til Zhaga-D4i/SR-certificeret baserede lysarmaturer må der kun anvendes Zhaga-D4i/SR-certificerede komponenter/sensorer (se også: <https://www.zhagastandard.org/products> / <https://www.lighting.philips.co.uk/oem-emea/products/driving-connected-lighting>). Den funktionelle kompatibilitet af 2 Zhaga-D4i/SR-certificerede komponenter/sensorer, der skal bruges i kombination med hinanden samt muligheden for tilsidesættelse af enhver LineSwitch-funktion, der bruges i et Zhaga-D4i/SR-baseret armatur, skal frigives af leverandøren af masterkomponent/sensor. Til brug af en 7-benet NEMA-fatning på et SR-baseret armatur kræves der en fuld systemverificering. Hvis disse råd ikke følges, kan/vil det medføre en risiko for beskadigelse og manglende overholdelse, hvilket Signify ikke kan påtage sig ansvaret for.
- SE Zhaga-D4i och SR-certifierad kompatibilitet** - Enbart certifierade komponenter och sensorer ska användas i Zhaga-D4i/SR-certifierade baserade armaturer (se även: <https://www.zhagastandard.org/products> / <https://www.lighting.philips.co.uk/oem-emea/products/driving-connected-lighting>). Kompatibilitet mellan två Zhaga-D4i/SR-certifierade komponenter/sensorer som ska användas tillsammans och möjlighet att åsidosätta alla LineSwitch-funktioner som används i en Zhaga-D4i/SR-baserad armatur kommer att släppas på marknaden av masterkomponentens/sensorns leverantör. För användning av NEMA 7-stiftsuttag på en SR-baserad armatur krävs en fullständig systemverifiering. Att inte följa dessa anvisningar medför risk för skada och innebär bristande efterlevnad som Signify inte tar något ansvar för.
- NO Zhaga-D4i og SR-sertifisert kompatibilitet** - For Zhaga-D4i/SR-sertifisert baserte armaturer skal bare Zhaga-D4i/SR-sertifiserte komponenter/sensorer brukes (se også: <https://www.zhagastandard.org/products> / <https://www.lighting.philips.co.uk/oem-emea/products/driving-connected-lighting>). Funksjonell kompatibilitet av 2 Zhaga-D4i/SR-sertifiserte komponenter/sensorer som kan brukes i kombinasjon, samt overstyringsmulighet for en hvilken som helst linjeskiftfunksjon som brukes i en Zhaga-D4i/SR-basert lysarmatur, skal frigjøres av hovedkomponent/sensorleverandør. For bruk av NEMA 7-pinnens kontakt på en SR-basert lysarmatur er det nødvendig med en fullstendig systemverifisering. Det å ikke følge disse anbefalingene kan/vil medføre risiko for skade og manglende overholdelse som Signify ikke kan ta ansvar for.
- FI Zhaga-D4i ja SR-sertifioituja yhteensopivuus** - Zhaga-D4i/SR-sertifioituja valaisimissa tulee käyttää vain Zhaga-D4i/SR-sertifioituja komponentteja ja tunnistimia (saat lisätietoja osoitteesta <https://www.zhagastandard.org/products> / <https://www.lighting.philips.co.uk/oem-emea/products/driving-connected-lighting>). Kahden käytettävän Zhaga-D4i/SR-sertifioidun komponentin/tunnistimen toimintojen yhteensopivuuden sekä Zhaga-D4i/SR-valaisimen kanssa käytettävän minkä tahansa linjakytintoinnin ohitusmahdollisuuden vahvistusta on tarkistettava ja vahvistettava täysin. Jos et noudata tätä ohjetta, valaisin saattaa vaurioitua ja sen vaatimustenmukaisuus saattaa joutua kyseenalaiseksi. Signify ei ole tästä millään tavalla vastuussa.
- HU Zhaga-D4i és SR-tanúsítású kompatibilitás** - Az Zhaga-D4i/SR-tanúsítású alapú világítótestekkel csak Zhaga-D4i/SR-tanúsítású alkatrészek és érzékelők használhatók (lásd még: <https://www.zhagastandard.org/products> / <https://www.lighting.philips.co.uk/oem-emea/products/driving-connected-lighting>). Két funkcionálisan kompatibilis Zhaga-D4i/SR-tanúsítású alkatrész, érzékelő illetve Zhaga-D4i/SR-alapú világítótésztbe szerelt vezérelhető hálózatioldali leválasztó kapcsolható csak akkor használható együtt, ha azok közös használatát a fő vezérlőelem (szenzor) gyártója jóváhagyta. 7-pólusú NEMA csatlakozóját tartalmazó SR-alapú világítótészt használata esetén a rendszer teljes működését ellenőrizni kell. Ezen tanácsok be nem tartása károkat és nem megfelelőséget okozhat, amiért a Signify nem vállal felelősséget.
- PL Zgodność z certyfikatem SR i Zhaga-D4i** - W przypadku opraw oświetleniowych opartych na certyfikatem Zhaga-D4i/SR można stosować wyłącznie części/czuJNIKI z certyfikatem Zhaga-D4i/SR (patrz również: <https://www.zhagastandard.org/products> / <https://www.lighting.philips.co.uk/oem-emea/products/driving-connected-lighting>). Zgodność funkcjonalna dwóch części/czuJNIKÓW z certyfikatem Zhaga-D4i/SR stosowanych w połączeniu lub w zastępstwie dowolnej funkcji wyłącznika w oprawach opartych na Zhaga-D4i/SR musi być zapewniona przez dostawcę elementu nadrzędnego. Przed zastosowaniem 7-stykowego gniazda NEMA w oprawie oświetleniowej opartej na SR wymagana jest pełna weryfikacja systemu. Nieprzestrzeganie tych zaleceń jest równoznaczne z ryzykiem uszkodzenia i naruszeniem zasad użytkowania, za które firma Signify nie ponosi odpowiedzialności.

- RO **Compatibilitate certificare Zhaga-D4i/SR** - Pentru corpurile de iluminat bazate pe certificare Zhaga-D4i/SR, trebuie să se utilizeze numai componentele/senzorii cu certificare Zhaga-D4i/SR (consultați, de asemenea: <https://www.zhagastandard.org/products> / <https://www.lighting.philips.co.uk/oem-emea/products/driving-connected-lighting>). Compatibilitate funcțională a 2 componente/senzori cu certificare Zhaga-D4i/SR care trebuie să fie utilizată în asociere, precum și posibilitate de a anula orice funcție lineswitch utilizată într-un corp de iluminat bazat pe Zhaga-D4i/SR, lucru care trebuie autorizat de furnizorul componentei/senzorului principal. Pentru utilizarea soclului cu 7 pini NEMA la un corp de iluminat bazat pe SR, este necesară o verificare completă a sistemului. Nerespectarea acestor recomandări poate duce la/la cauza risc de avarie și neconformitate, pentru care Signify nu își poate asuma nicio responsabilitate.
- CZ **Certifikované kompatibilita s Zhaga-D4i/SR** - U svítidel Zhaga-D4i/SR certifikované se používají pouze Zhaga-D4i/SR certifikované součásti/snímače (viz též <https://www.zhagastandard.org/products> / <https://www.lighting.philips.co.uk/oem-emea/products/driving-connected-lighting>). Funkční kompatibilitu dvou součástí nebo snímačů s certifikací Zhaga-D4i/SR při použití v kombinaci a možnost potlačení funkcí LineSwitch, používaných u svítidel Zhaga-D4i/SR, musí posoudit dodavatel hlavní součásti nebo snímače. Pro použití 7kolíkové zásuvky NEMA na svítidle s certifikací SR je vyžadováno úplné ověření systému. Nedodržení těchto doporučení může způsobit poškození a nesoulad, za něj Signify nenese žádnou odpovědnost.
- TR **Zhaga-D4i/SR sertifikalı uyumluluğu** - Zhaga-D4i/SR sertifikalı tabanlı aydınlatma armatürleri için yalnızca Zhaga-D4i/SR sertifikalı bileşenler/sensörler kullanılmalıdır (ayrına bkz. <https://www.zhagastandard.org/products> / <https://www.lighting.philips.co.uk/oem-emea/products/driving-connected-lighting>). Birlikte kullanılacak 2 Zhaga-D4i/SR sertifikalı bileşenin/sensörün işlevsel uyumluluğu ve Zhaga-D4i/SR tabanlı aydınlatma armatüründe kullanılan herhangi bir lineswitch işlevinin geçersiz kılınma olasılığı, ana bileşen/sensör tedarikçisi tarafından sağlanacaktır. SR tabanlı aydınlatma armatüründe NEMA 7 pimli soketin kullanılması için tam sistem doğrulaması gereklidir. Bu tavsiyelere uymamak, Signify'in sorumlu tutulamayacağı hasar riskine ve uyumsuzluğa neden olabilir.
- SK **Certifikované kompatibilita Zhaga-D4i/SR** - Pri svietidlách založených na Zhaga-D4i/SR certifikované sa smú používať len Zhaga-D4i/SR certifikované komponenty/snímače (pozri tiež: <https://www.zhagastandard.org/products> / <https://www.lighting.philips.co.uk/oem-emea/products/driving-connected-lighting>). Funkčnú kompatibilitu 2 Zhaga-D4i/SR certifikovaných komponentov/snímačov na použitie v kombinácii, ako aj možnosť zrušenia funkcie spínača použitej v svietidle založenom na Zhaga-D4i/SR, má zabezpečiť dodávateľ hlavného komponentu/snímača. Pri použití 7-kolíkovkej objímky NEMA v svietidle založenom na SR sa vyžaduje overenie celého systému. Nedodržanie týchto pokynov môže spôsobiť/spôsobí poškodenie a nesúlad, za ktoré spoločnosť Signify nemôže niesť zodpovednosť.
- GR **Πιστοποιημένη συμβατότητα Zhaga-D4i/SR** - Για τα φωτιστικά που βασίζονται στο πιστοποιήση Zhaga-D4i/SR, πρέπει να χρησιμοποιούνται μόνο εξαρτήματα/αισθητήρες με πιστοποίηση Zhaga-D4i/SR (δείτε επίσης: <https://www.zhagastandard.org/products> / <https://www.lighting.philips.co.uk/oem-emea/products/driving-connected-lighting>). Η λειτουργική συμβατότητα 2 εξαρτημάτων/αισθητήρων με πιστοποίηση Zhaga-D4i/SR που θα χρησιμοποιηθούν σε συνδυασμό, καθώς και η δυνατότητα παράκαμψης οποιασδήποτε λειτουργίας lineswitch που χρησιμοποιείται σε ένα φωτιστικό που βασίζεται στο Zhaga-D4i/SR, θα πρέπει να κοινοποιηθεί από τον προμηθευτή του κύριου εξαρτήματος/αισθητήρα. Για τη χρήση υποδοχής NEMA 7 ακίδων σε φωτιστικό που βασίζεται στο SR, απαιτείται πλήρης επαλήθευση συστήματος. Αν δεν ληφθούν υπόψη αυτές οι συμβουλές, μπορεί να/θα προκληθεί κίνδυνος ζημιάς και μη συμμόρφωσης, για τα οποία η Signify δεν μπορεί να αναλάβει καμία ευθύνη.
- RU **Сертифицированная совместимость с устройствами Zhaga-D4i/SR** - Светильники на основе технологии сертифицированными Zhaga-D4i/SR совместимы только с компонентами/датчиками, сертифицированными для использования с технологией Zhaga-D4i/SR (см. также: <https://www.zhagastandard.org/products> / <https://www.lighting.philips.co.uk/oem-emea/products/driving-connected-lighting>). Функциональная совместимость используемых в сочетании 2 компонентов/датчиков сертифицированных для использования с технологией Zhaga-D4i/SR, а также возможность переопределяющего управления любой функцией уменьшения яркости LineSwitch при использовании светильника на основе технологии SR /Zhaga-D4i определяется поставщиком основного компонента/датчика. Для использования 7-контактного гнезда NEMA на светильнике на основе технологии SR требуется полная проверка системы. Несоблюдение этих рекомендаций с высокой вероятностью может привести к возможным повреждениям и несоответствию системы спецификациям, за которые компания Signify не несет какой-либо ответственности.
- BG **Съвместимост и функционална готовност за свързване към система за управление /Zhaga-D4i и SR certified compatibility/-** За осветителните тела с вградена функционална готовност за свързване към система за управление трябва да се използват само компоненти сертифицирани за тази цел (моля вижте следния линк: <https://www.zhagastandard.org/products> / <https://www.lighting.philips.co.uk/oem-emea/products/driving-connected-lighting>). Функционалната съвместимост на два сертифицирани за използване в осветителните тела с вградена готовност за свързване към система за управление, Zhaga-D4i/SR certified компонента/сензора, които се използват в комбинация, както и възможността за използване на пълната функционалност на предварително готови за свързване към система за управление Zhaga-D4i/SR based, осветителни тела трябва да бъде осигурена от доставчика на съответния компонент/сензор. Ако се използва конектор NEMA със 7 щифта на осветителните тела с предварителна функционална готовност за свързване към система за управление /SR based/ трябва да се направи проверка на съвместимостта на цялата система и нейните съставни компоненти. Неспазването на този съвет може/ще доведе до риск от повреда и несъответствие, за което Сигнифай Интернетсървърл не носи отговорност.
- HR **Zhaga-D4i/SR certificirane kompatibilnost** – Za Zhaga-D4i/SR certificirane svjetiljke, samo Zhaga-D4i/SR certificirane komponente/senzori smiju biti korišteni (detaljno dostupno na: <https://www.zhagastandard.org/products> / <https://www.lighting.philips.co.uk/oem-emea/products/driving-connected-lighting>). Funkcionalna kompatibilnost dvaju Zhaga-D4i/SR certificiranih komponenti/senzora za korištenje u kombinaciji, kao i mogućnosti prisilnog preklopa funkcija preklapanja mreže korištenog u SR /Zhaga-D4i pripremljenim svjetilkama treba biti potvrđena od strane dobavljača master odnosno senzor SR komponenti. U slučaju korištenja NEMA 7-pin konektora na SR pripremljenim svjetilkama, potrebna je cjelovita systemska verifikacija te kombinacije prije korištenja. Nepoštivanje ovog savjeta će stvarno ili potencijalno uzrokovati rizik kvara ili nepravilno funkcioniranje sistema za koje Signify ne može preuzeti odgovornost.
- LT **Zhaga-D4i/SR (System Ready) sertifikuoetus suderinamumas** – Sertifikuoetus šviestuvuose su Zhaga-D4i/SR galima naudoti tik Zhaga-D4i/SR sertifikuoetus komponentus / jutiklius (taip pat žiūrėkite: <https://www.zhagastandard.org/products> / <https://www.lighting.philips.co.uk/oem-emea/products/driving-connected-lighting>). Komponentų / jutiklių tiekėjas turi užtikrinti tinkamą dviejų Zhaga-D4i/SR sertifikuoetus komponentų / jutiklių, kurie bus naudojami kartu, funkcinių suderinamumą, taip pat galimybę panaikinti bet kurią linjinio perjungimo funkciją, naudojamą šviestuve su Zhaga-D4i/SR. Jei SR šviestuve naudojamas NEMA 7 kontaktų lizdą, būtina papildomai atlikti visos sistemos patikrą. Šių nurodymų nesilaikymas gali įtakoti sugadinimą ir nesuderinamumą/neveikimą, už kuriuos „Signify“ neprisiima jokios atsakomybės.
- LV **Zhaga-D4i/SR sertificēti saderība** – Gaismekļiem uz Zhaga-D4i/SR bāzes ir izmantojami tikai Zhaga-D4i/SR sertificēti komponenti/sensori (skatīt arī: <https://www.zhagastandard.org/products> / <https://www.lighting.philips.co.uk/oem-emea/products/driving-connected-lighting>). Funkcionāla saderība starp diviem Zhaga-D4i/SR sertificētiem komponentiem/sensoriem, kurus izmantos kopā, kā arī, ignorēšanas iespējas jebkuras pārslēgšanas funkcijas, kas tiks izmantotas Zhaga-D4i/SR bāzes gaismekļos, ir jāsniedz galvenā komponenta / sensora piegādātājam. Ja izmanto NEMA 7 – pin ligzdu kopā ar SR bazēto gaismekli, verifikācija ir obligāta visai sistēmai. Šī ieteikuma neievērošana var radīt / radīs kaitējuma un neatbilstības risku, par kuru Signify nevar uzņemties nekādu atbildību.
- EE **Zhaga-D4i/SR-sertifikaadiga ühilduvus** – Zhaga-D4i/SR-põhiste valgustite puhul tuleb kasutada ainult Zhaga-D4i/SR-sertifikaadiga komponente/andureid (vt ka: <https://www.zhagastandard.org/products> / <https://www.lighting.philips.co.uk/oem-emea/products/driving-connected-lighting>). Zhaga-D4i/SR-sertifitseeritud seadme/anduri tarnija peab lubama ja vastutama kahe kombineeritud Zhaga-D4i/SR seadme/anduri funktsionaalse ühilduvuse ja juhtsoone (Lineswitch) funktsiooni kasutamisel seadete alistamise Zhaga-D4i/SR valmidusega valgustis. Kui kasutate SR-põhisel valgustil NEMA 7-pin pistikut, on vajalik süsteemi vastavuse täielik kontroll. Selle nõude mittejärgimine võib põhjustada kahju tekkimist ja mittevastavust, mille eest Signify ei vastuta.
- SI **Certificirane združljivost s Zhaga-D4i/SR** – Za svetilke, ki temeljijo na Zhaga-D4i/SR, se smejo uporabiti samo certificirane Zhaga-D4i/SR komponente / senzori, (glejte tudi: <https://www.zhagastandard.org/products> / <https://www.lighting.philips.co.uk/oem-emea/products/driving-connected-lighting>). Funkcionalno združljivost certificirane Zhaga-D4i/SR komponent / senzorjev, ki jih je treba uporabiti v kombinaciji, kot tudi možnost preglasovanja katere koli funkcije linijskega stikala, mora sprostiti glavni dobavitelj komponent / senzorjev. Če uporabljate 7-pin vtičnico NEMA v svetilki, ki temelji na SR, je potrebna celovita verifikacija sistema. Neupoštevanje teh navodil lahko povzroči škodo in neskladnosti, za kar podjetje Signify ne prevzema nobene odgovornosti.

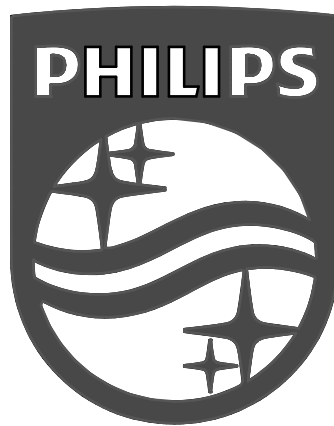
- GB Please inform yourself about the local waste disposal, separation and collection system for electrical and electronic products and packaging. Please act according to your local rules and do not dispose your old product and packaging with your normal household waste. The correct disposal of the packaging, your product and/or batteries will help prevent potential negative consequences for the environment and human health. Batteries should be disposed separately from the municipal waste stream via designated collection facilities. When disposing a product that contains non-user replaceable batteries, the non-user replaceable batteries shall be removed by a professional.
- DE Bitte erkundige Dich nach dem örtlichen Entsorgungs-, Trenn- und Sammelsystem für elektrische und elektronische Produkte und Verpackungen. Richte Dich bitte nach den geltenden Vorschriften in Deinem Land und entsorge Deine Altgeräte nicht über Deinen Haushaltsabfall. Durch die korrekte Entsorgung der Verpackung, Deines Produkts und/oder der Batterien/Akkus werden Umwelt und Menschen vor möglichen negativen Folgen geschützt. Batterien/Akkus müssen separat vom städtischen Abfallsystem über dafür vorgesehene Sammelstellen entsorgt werden. Bei der Entsorgung eines Produkts, das nicht vom Benutzer austauschbare Batterien/Akkus enthält, sollten die nicht vom Benutzer austauschbaren Batterien/Akkus von einer fachkundigen Person entfernt werden. Weitere Informationen über die Entsorgung Ihres Produktes und der Batterien finden Sie unter [www.signify.com/de-de/sustainability](http://www.signify.com/de-de/sustainability).
- FR Veuillez vous informer sur le système de collecte local, et sur la procédure de tri et de collecte des produits électriques et électroniques, et des emballages. Veuillez vous conformer aux consignes locales, et ne jetez pas votre ancien produit et son emballage avec les ordures ménagères. En respectant ces consignes pour mettre au rebut l'emballage, le produit et/ou les piles, vous contribuez à respecter l'environnement et la santé des personnes. Les piles ne doivent pas être mêlées aux ordures ordinaires, mais jetées sur des sites séparés prévus à cet effet. Lorsque vous mettez au rebut un produit contenant des piles non remplaçables, celles-ci doivent être retirées par un professionnel.
- NL Houd rekening met het lokale systeem voor afvalscheiding en -inzameling wanneer u elektrische en elektronische producten of verpakkingen weggooit. Neem de lokale regelgeving in acht en gooi je oude producten en verpakkingen niet weg met het normale huishoudelijke afval. Het correct wegwerpen van de verpakking, het product en/of batterijen helpt mogelijke negatieve gevolgen voor het milieu en de menselijke gezondheid te voorkomen. Batterijen moeten gescheiden van huishoudelijke afvalstromen worden ingeleverd bij speciale inzamelpunten. Wanneer je een product weggooit met batterijen die niet door de gebruiker kunnen worden vervangen, moeten die batterijen door een professional worden verwijderd.
- ES Información sobre el sistema local de eliminación, separación y recogida de residuos de productos y envases eléctricos y electrónicos. Actúe de acuerdo con las normas locales y no tire el producto antiguo y su embalaje a la basura doméstica normal. La eliminación correcta del embalaje, de su producto y/o de las pilas contribuirá a evitar posibles consecuencias negativas para el medio ambiente y la salud humana. Las pilas deben eliminarse por separado del flujo de residuos municipales en las instalaciones de recogida designadas. Cuando deseche un producto que contenga pilas no sustituibles por el usuario, un profesional deberá retirar las pilas no sustituibles por el usuario.
- PT Informe-se sobre o sistema local de eliminação, separação e recolha de resíduos de embalagens e produtos elétricos e eletrônicos. Proceda em conformidade com as regras locais e não elimine a produto antigo e a respetiva embalagem juntamente com os resíduos domésticos normais. A eliminação correta da embalagem, do seu produto e/ou das pilhas ajudará a prevenir potenciais consequências negativas para o ambiente e para a saúde humana. As pilhas devem ser eliminadas em separado do fluxo de resíduos urbanos através das instalações de recolha designadas. Quando se elimina um produto que contém pilhas não substituíveis pelo utilizador, estas devem ser removidas por um profissional.
- IT Si prega di informarsi sul sistema locale di smaltimento, separazione e raccolta dei rifiuti per prodotti elettrici ed elettronici e imballaggi. Si prega di agire secondo le regole locali e di non smaltire il vecchio prodotto e l'imballaggio con i normali rifiuti domestici. Il corretto smaltimento dell'imballaggio, del prodotto e/o delle batterie aiuterà a prevenire potenziali conseguenze negative per l'ambiente e la salute umana. Le batterie dovrebbero essere smaltite separatamente dal flusso di rifiuti urbani tramite strutture di raccolta designate. Quando si smaltisce un prodotto che contiene batterie non sostituibili dall'utente, le batterie non sostituibili dall'utente devono essere rimosse da un professionista.
- DK Hold dig orienteret om den lokale affaldsordning, -sortering og -indsamling for elektriske og elektroniske produkter og emballage. Følg de lokale regler, og bortskaft ikke dine udtjente produkter og emballage sammen med almindeligt husholdningsaffald. Korrekt bortskaftelse af emballagen, produktet og/eller batterier er med til at forhindre negative konsekvenser for miljøet og menneskers sundhed. Batterier skal bortskaftes separat fra den kommunale affaldsstrøm via særskilte indsamlingsordninger. Ved bortskaftelse af et produkt, der indeholder batterier, der ikke kan udskiftes af brugeren, skal batterierne fjernes af en fagperson.
- FI Ota selvää paikallisesta sähkö- ja elektroniikkatuotteiden sekä pakkausten hävitys-, erottelu- ja keräysjärjestelmästä. Noudata paikallisia määräyksiä, äläkä hävitä vanhoja tuotteita ja pakkauksia tavallisen kotitalousjätteen mukana. Pakkauksen, tuotteen ja/tai paristojen asianmukainen hävittäminen auttaa ehkäisemään mahdollisia haittoja ympäristölle ja ihmisten terveydelle. Paristot on hävitettävä yhdyskuntajätteestä erillään määrítettävien keräyspisteiden kautta. Muita kuin käyttäjän vaihdettavissa olevia paristoja sisältäviä tuotteita hävitettäessä muiden kuin käyttäjän vaihdettavissa olevien paristojen poistaminen on jätettävä ammattilaisen tehtäväksi.
- SE Se till att skaffa dig kunskap om de lokala systemen för bortskaftande, sortering och insamling av avfall gällande elektriska och elektroniska produkter och förpackningar. Agera i enlighet med lokala regler och släng inte bort din gamla produkt och förpackning tillsammans med vanligt hushållsavfall. Korrekt bortskaftande av förpackningen, din produkt och/eller batterier hjälper till att förebygga potentiella negativa konsekvenser för miljön och för människors hälsa. Batterier ska slängas separat från det kommunala avfallsflödet via särskilda insamlingsanläggningar. När du slänger en produkt som innehåller batterier som inte kan bytas ut av användaren ska de batterier som inte kan bytas ut av användaren avlägsnas av en yrkesperson.
- NO Vennligst informer deg selv om det lokale avfallshåndterings-, separerings- og innsamlingsssystemet for elektriske og elektroniske produkter og emballasje. Opptre i henhold til lokale regler og ikke kast det gamle produktet og emballasjen sammen med vanlig husholdningsavfall. Riktig avhending av emballasjen, produktet og/eller batteriene vil bidra til å forhindre potensielle skadelige følger for miljøet og personers helse. Batterier bør avhendes separat fra kommunalt avfall via anviste innsamlingssteder. Ved kassering av et produkt som inneholder batterier som ikke kan skiftes ut av brukeren, skal batteriene som ikke kan byttes av bruker fjernes av en fagperson.
- GR Ενημερωθείτε για το τοπικό σύστημα διάθεσης, διαχωρισμού και συλλογής αποβλήτων για ηλεκτρικά και ηλεκτρονικά προϊόντα και συσκευασίες. Ενεργείτε σύμφωνα με τους τοπικούς σας κανόνες και μην απορρίπτετε το παλιό σας προϊόν και τη συσκευασία του μαζί με τα συνήθη οικιακά απορρίμματα. Η σωστή απόρριψη της συσκευασίας, του προϊόντος σας ή/και των μπαταριών θα συμβάλει στην αποφυγή πιθανών αρνητικών συνεπειών για το περιβάλλον και την ανθρώπινη υγεία. Οι μπαταρίες θα πρέπει να απορρίπτονται χωριστά από το ρεύμα των αστικών απορριμμάτων μέσω των καθορισμένων εγκαταστάσεων συλλογής. Κατά την απόρριψη ενός προϊόντος που περιέχει μπαταρίες που δεν αντικαθίστανται από τον χρήστη, αυτές πρέπει να αφαιρούνται από επαγγελματία.
- TR Lütfen elektrikli ve elektronik ürünler ve ambalajları için yerel atık atma, ayırma ve toplama sistemleri hakkında bilgi edinin. Lütfen bulduğunuz bölgedeki yerel kurallara uygun hareket edin ve eski ürün ve ambalajınızı normal ev atıklarınızla birlikte atmayın. Ambalajın, ürününüzün ve/veya pillerin doğru şekilde atılması çevre ve insan sağlığı için olası olumsuz sonuçların önlenmesine yardımcı olur. Pillerin özel toplama tesisleri aracılığıyla belediye atık kolundan ayrı bir şekilde atılması gerekir. Kullanıcı tarafından değiştirilemeyen pil bulunan bir ürünü atarken pilin bir profesyonel tarafından çıkarılması gerekir.
- BG Моля, запознайте се с местната система за изхвърляне, разделяне и събиране на отпадъци от електрически и електронни продукти и опаковки. Моля, действайте в съответствие с местните правила и не изхвърляйте стария продукт и опаковката заедно с обикновените битови отпадъци. Правилното изхвърляне на опаковката, на Вашия продукт и/или батерии ще помогне да се предотвратят потенциални негативни последици за околната среда и човешкото здраве. Батериите трябва да се изхвърлят отделно от потока на битовите отпадъци чрез определените за целта събирателни пунктове. При изхвърляне на продукт, който съдържа батерии, които не могат да се заменят от потребителя, същите трябва да бъдат отстранени от специалист.
- HU Érdelődjön az elhasznált elektromos és elektronikus termékek és csomagolásuk helyi szelektív gyűjtéséről és ártalmatlanításáról. Kövesse a helyi szabályozást, és ne helyezze az elhasználotott terméket háztartásihulladék-gyűjtőbe. A csomagolás, valamint az elhasználotott termék és/vagy akkumulátorok megfelelő ártalmatlanítása segít megelőzni a környezet és emberi egészség károsodását. Az akkumulátorokat külön, a helyi önkormányzat által megjelölt helyen kell gyűjteni, és nem szabad a háztartási hulladék közé keverni őket. A nem cserélhető akkumulátorokat tartalmazó termékek ártalmatlanításakor a nem cserélhető akkumulátorokat szakembernek kell eltávolítania.



- SL Seznanite se z lokalnim sistemom odstranjevanja, ločevanja in zbiranja električne in elektronske opreme ter embalaže. Upoštevajte lokalno zakonodajo ter starega izdelka in embalaže ne odložite med običajne gospodinjske odpadke. S pravilnim odlaganjem embalaže, izdelka in/ali baterij med odpadke boste preprečili morebitne negativne posledice na okolje in zdravje ljudi. Baterij ne smete odložiti med gospodinjske odpadke, temveč na namenskih zbirnih mestih. Če odlagate izdelek, ki vsebuje baterije, ki jih uporabnik ne more zamenjati sam, bo takšne baterije odstranila strokovna oseba.
- HR Informirajte se o lokalnom sustavu za odlaganje, odvajanje i prikupljanje električnih i elektroničkih proizvoda i ambalaža. Postupajte u skladu s lokalnim propisima i ne odlazite stare proizvode i ambalaže s uobičajenim kućanskim otpadom. Ispravno odlaganje ambalaže, proizvoda i/ili baterija pomoći će u sprečavanju mogućih negativnih posljedica za okoliš i zdravlje ljudi. Baterije je potrebno odlagati odvojeno od komunalnog otpada na za to predviđenim odlagalištima. Kada odlazite proizvod koji sadrži baterije koje korisnik ne može samostalno zamijeniti, te će baterije ukloniti stručnjak.
- MK Информирајте се за локалниот систем за фрлање, одделување и собирање отпад од електрични и електронски производи и пакувања. Постапувајте во согласност со вашите локални прописи и немојте да ги фрлате стариот производ и пакувањето во обичниот отпад од домаќинството. Правилното фрлање на пакувањето, производот и/ли батериите ќе помогне да се спречат потенцијалните негативни последици за животната средина и човечкото здравје. Батериите треба да се фрлаат одделно од општинскиот систем за отпад преку назначени собирни објекти. Кога фрлате некој производ што содржи батерии што не може да се заменат, тие ќе се отстрануваат од страна на стручно лице.
- SR Informișete se o lokalnom sistemu za odlaganje, odvajanje i sakupljanje otpada za električne i elektronske proizvode i ambalažu. Postupajte u skladu sa lokalnim pravilima i ne odlazite svoj stari proizvod i ambalažu sa uobičajenim kućnim otpadom. Pravilno odlaganje ambalaže, proizvoda i/ili baterija će pomoći u sprečavanju potencijalnih negativnih posledica po životnu sredinu i zdravlje ljudi. Baterije treba odlagati odvojeno od toka komunalnog otpada putem određenih objekata za prikupljanje. Kada odlazite proizvod koji sadrži baterije koje ne može zameniti korisnik, te baterije će ukloniti profesionalac.
- CZ Informujte se o místním systému likvidace a tříděného sběru elektrických a elektronických výrobků a balení. Postupujte v souladu s místními předpisy a nevyhazujte staré výrobky do běžného komunálního odpadu. Správná likvidace produktů a baterií přispívá k ochraně případných nežádoucích vlivů na životní prostředí a zdraví osob. Baterie je třeba zlikvidovat samostatně mimo veřejné skládky prostřednictvím specializovaných sběrných míst. Při likvidaci výrobku obsahujícího baterie, které nejsou uživatelsky vyměnitelné, musí uživatelsky nevyměnitelné baterie vyjmout odborník.
- SK Zistite si informácie o miestnej likvidácii odpadu, systéme separovaného zberu elektrických a elektronických výrobkov a obalov. Postupujte v súlade s miestnymi predpismi a nevyhadzujte staré výrobky do bežného komunálneho odpadu. Správna likvidácia produktov a batérií prispieva k zabráneniu prípadným nežiaducim vplyvom na životné prostredie a zdravie osôb. Batérie treba zlikvidovať samostatne mimo verejnej skládky prostredníctvom špecializovaných zberných miest. Pri likvidácii výrobku obsahujúceho batérie, ktoré nemôže vybrať používateľ, musí výber nevymeniteľných batérií vykonať odborný technik.
- PL Należy we własnym zakresie sprawdzić informacje o lokalnych placówkach odbierających zużyte produkty elektryczne i elektroniczne oraz opakowania po nich. Należy bezwzględnie przestrzegać lokalnych przepisów zakazujących wyrzucania urządzeń i opakowań razem z odpadami komunalnymi. Właściwe usunięcie zużytego opakowania, produktu i/lub baterii pomoże uniknąć potencjalnych szkodliwych skutków dla środowiska naturalnego i zdrowia ludzi. Baterii nie wolno wyrzucać wraz z odpadami komunalnymi. Należy je zanośić do wyznaczonych punktów zbiórki. W przypadku utylizacji produktu zawierającego baterie niepodlegające wymianie przez użytkownika, powinny one zostać usunięte przez specjalistę.
- RO Informații-vă cu privire la sistemul local de colectare, separare și eliminare a deșeurilor pentru produsele electrice și electronice și ambalajele acestora. Acționați în conformitate cu regulile locale și nu eliminați produsele vechi și ambalajele împreună cu deșeurile menajere obișnuite. Eliminarea corespunzătoare a ambalajelor, a produsului și/sau a bateriilor va ajuta la prevenirea consecințelor potențiale negative pentru mediu și sănătatea umană. Bateriile trebuie eliminate separat de sistemul municipal de gestionare a deșeurilor prin intermediul unităților de colectare desemnate. Atunci când eliminați un produs care conține baterii ce nu pot fi înlocuite de utilizator, aceste baterii trebuie îndepărtate de către un specialist.
- SQ Informohuni për sistemin lokale të hedhjes së mbeturinave, ndarjes dhe grumbullimit për produktet elektrike dhe elektronike dhe paketimin. Veproni në përputhje me rregullat lokale dhe mos e hidhni produktin e vjetër dhe paketimin me mbeturinat e zakonshme të shtëpisë. Hedhja e duhur e paketimit, produktit dhe/ose baterive do të ndihmojë në parandalimin e pasojave të mundshme negative për mjedisin dhe shëndetin njerëzor. Bateritë duhet të hidhen veçmas nga rryma e mbeturinave urbane nëpërmjet pikave të autorizuarra të grumbullimit. Kur hidhni një produkt që përmban bateri që nuk ndërrohen nga përdoruesi, këto bateri duhet të hiqen nga një profesionist.
- LV Lūdzu, iepazīstieties ar informāciju par vietējo atkritumu likvidēšanas, nošķiršanas un savākšanas sistēmu elektriskām un elektroniskām precēm un iepakojumiem. Rīkojieties atbilstoši vietējiem noteikumiem un nelikvidējiet nolietotos izstrādājumus un iepakojumus kopā ar parastajiem sadzīves atkritumiem. Izstrādājuma un/vai bateriju pareiza likvidēšana palīdzēs novērst iespējamu nelabvēlīgu ietekmi uz vidi un cilvēku veselību. Baterijas jālikvidē atsevišķi no pašvaldību atkritumu plūsmas ar šim nolūkam īpaši paredzētu savākšanas uzņēmumu starpniecību. Likvidējot produktu, kas satur baterijas, kuras lietotājs nevar nomainīt, profesionālim ir jāizņem šīs baterijas.
- LT Susipažinkite su vietine elektros ir elektroninių gaminių bei pakuočių atliekų šalinimo, rūšiavimo ir surinkimo sistema. Laikykites vietinių taisyklių ir neišmeskite seno gaminio bei pakuotės kartu su įprastomis buitinėmis atliekomis. Tinkamas pakuotės, gaminio ir (arba) baterijų išmetimas padės išvengti galimų neigiamų pasekmių aplinkai ir žmonių sveikatai. Baterijos turi būti išmestos atskirai nuo komunalinių atliekų srauto tam skirtais surinkimo įrenginiais. Išmetant gaminį, kuriame yra naudotojo nekeičiamų baterijų, naudotojų nekeičiamas baterijas turi išimti profesionalas.
- EE Viige ennast kurssi kohalikku elektri- ja elektroonikatoodele ning pakendite kasutusest kõrvaldamise, sorteerimise ja kogumise süsteemiga. Järgige kohalikke eeskirju järgi ning ärge visake vana toodet ega pakendeid olmejäätmete hulka. Pakendi ja vana toote ja/või akude nõuetekohane kasutusest kõrvaldamine aitab vältida võimalikku negatiivset mõju keskkonnale ja inimeste tervisele. Akud tuleb kasutusest kõrvaldada olmejäätmetest eraldi ning viia selleks ette nähtud kogumiskohta. Kui kõrvaldate kasutusest toote, mis sisaldab akusid, mida kasutaja ei saa vahetada, peab need akud tootest eemaldama kvalifitseeritud spetsialist.
- RU С информацией о местных системах раздельного сбора и утилизации таких отходов, как электрическое и электронное оборудование, а также упаковка, рекомендуется ознакомиться самостоятельно. Соблюдайте региональные нормативные требования и не выбрасывайте отслужившее изделие вместе с обычным бытовым мусором. Правильная утилизация отслужившего изделия и/или батарей поможет уменьшить негативные последствия для окружающей среды и здоровья людей. Батареи следует утилизировать отдельно от бытовых отходов через специальные пункты сбора. Если изделие оснащено батареями, не предназначенными для самостоятельной замены, их должен извлечь специалист.
- UA Рекоменуємо самостійно ознайомитися з інформацією про місцеві системи сортування й утилізації відходів електричного та електронного обладнання і їхнього пакування. Дійте відповідно до місцевих правил і не викидайте старий виріб і його упаковку разом зі звичайними побутовими відходами. Правильна утилізація упаковки, виробу та/або акумуляторів допоможе запобігти потенційним негативним наслідкам для довкілля та здоров'я людей. Акумулятори слід утилізувати окремо від потоку комунальних відходів через спеціальні місця для збору. Під час утилізації виробу, що містить акумулятор, який не може замінювати користувач, такий акумулятор має вилучати професіонал.







© 2024 Signify Holding

All rights reserved. Reproduction in whole or in part is prohibited without the prior written consent of the copyright owner. The information presented in this document does not form part of any quotation or contract, is believed to be accurate and reliable and may be changed without notice. No liability will be accepted by the publisher for any consequence of its use. Publication thereof does not convey nor imply any license under patent- or other industrial or intellectual property rights.

Signify Holding.  
The Netherlands