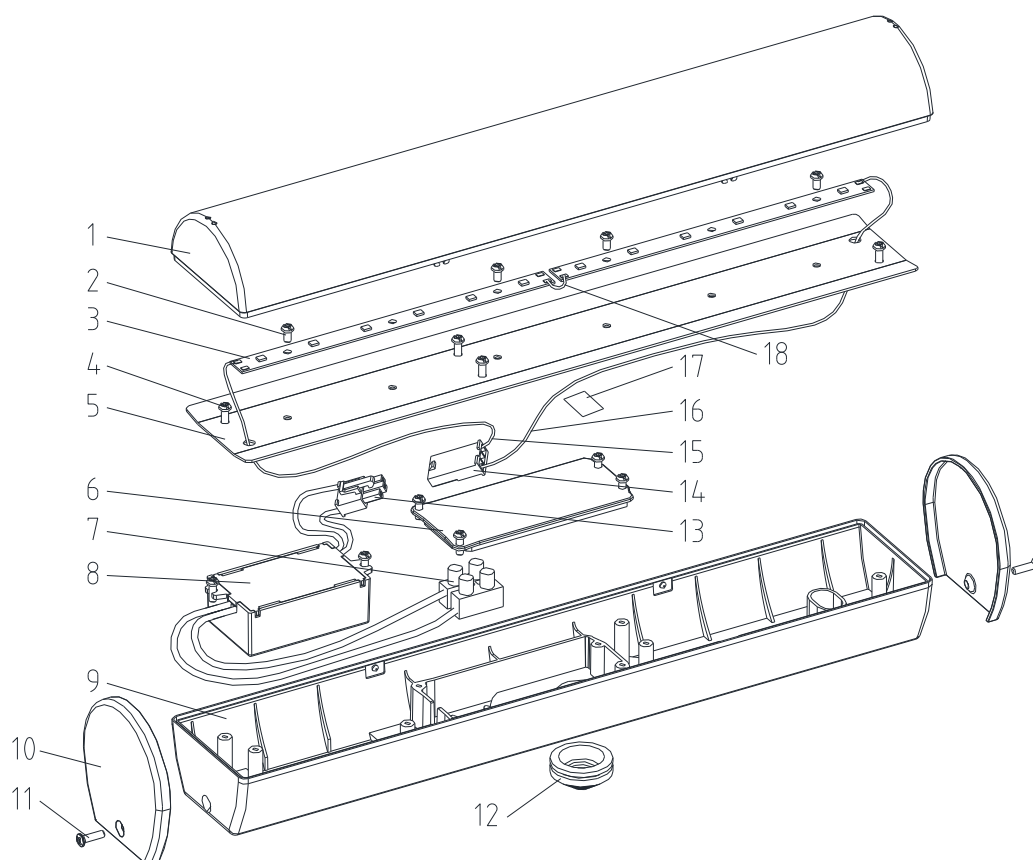


Dismantling Recommendation on Disposal at End of Life

Composition Explanation



No.	Components	Specifications	Unit	Quantity
1	34058 G15619 white cover	PP HJ730	pcs	1
2	M3*5 screw	hardness 450HV0.3, surface galvanized	pcs	4
3	YL20-7-8DB3W-C016		pcs	2
4	BT2.9*8 screw	surface galvanized	pcs	10
5	34058 G15619 reflector	Q235A	pcs	1
6	34058 G15619 Cover plate	ABS GE-150, black	pcs	1
7	PA10 terminal	PA10	pcs	1
8	YL5W150-030P driver	220-240V, wire L=150mm	pcs	1
9	34058 G15619 base	ABS GE-150, white	pcs	1
10	34058 G15619 cap	ABS	pcs	2

Dismantling Recommendation on Disposal at End of Life

Composition Explanation

No.	Components	Specifications	Unit	Quantity
11	BT3*12 screw	stainless steel 304	pcs	2
12	φ27 coil protection	TPE, white	pcs	1
13	5559-3R	PA	pcs	1
14	5557-3P	PA	pcs	1
15	UL wire black	UL 1332/22AWG	pcs	1
16	UL wire red	UL 1332/22AWG	pcs	1
17	3M Fiber tape		M	0.02
18	UL wire red	UL 1332/22AWG	pcs	1

Dismantling Recommendation on Disposal at End of Life

Dismantling

- Type: Without permanent damage

Recommendation on Disposal

- Plastic part: Reuse and Recycling
- Electrical part: Incineration and disposal
- Metal part: Recycling

Light source dismantling process

