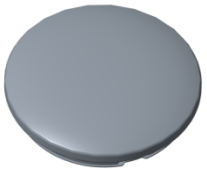
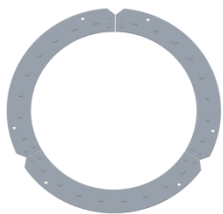


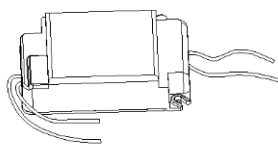


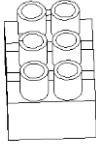



PHILIPS



1. Dismantling:

a. Part list:

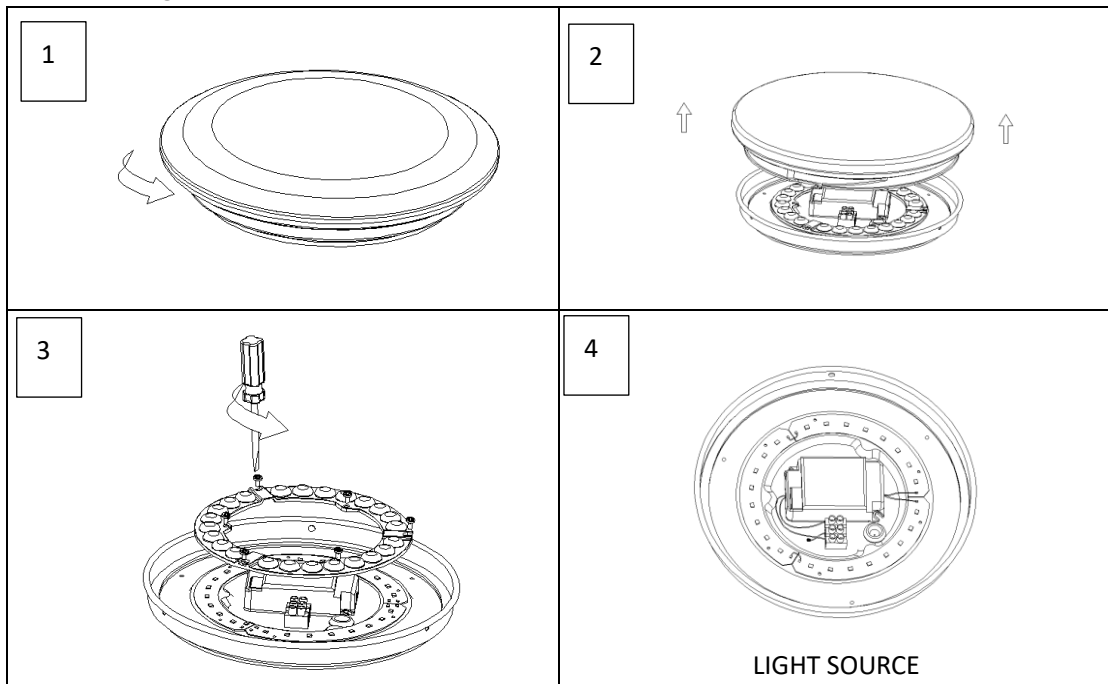
Plastic part	Electrical part	Metal part
Cover 	PCB 	Base 
Lens 	Drive 	Screws 
-protective ring 	-Terminal block 	-Ground wire 
Other small plastic part: -Connector	Other small electrical part	Other small metal part

-Others		

PHILIPS

Signify
 I.B.R.S / C.C.R.I. Numero 10461
 5600 VB Eindhoven, The
 Netherlands
 Service Hotline:00800-74454775
 © 2021 Signify Holding

b. Dismantling:

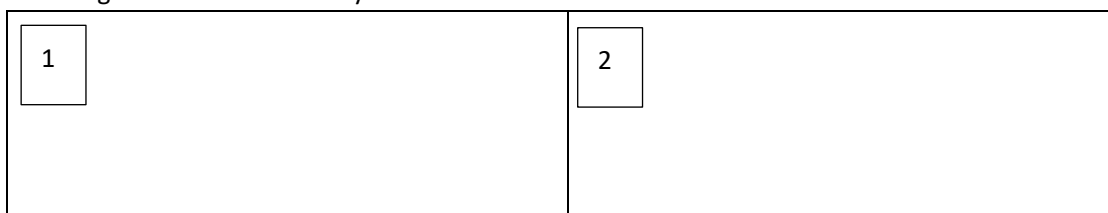


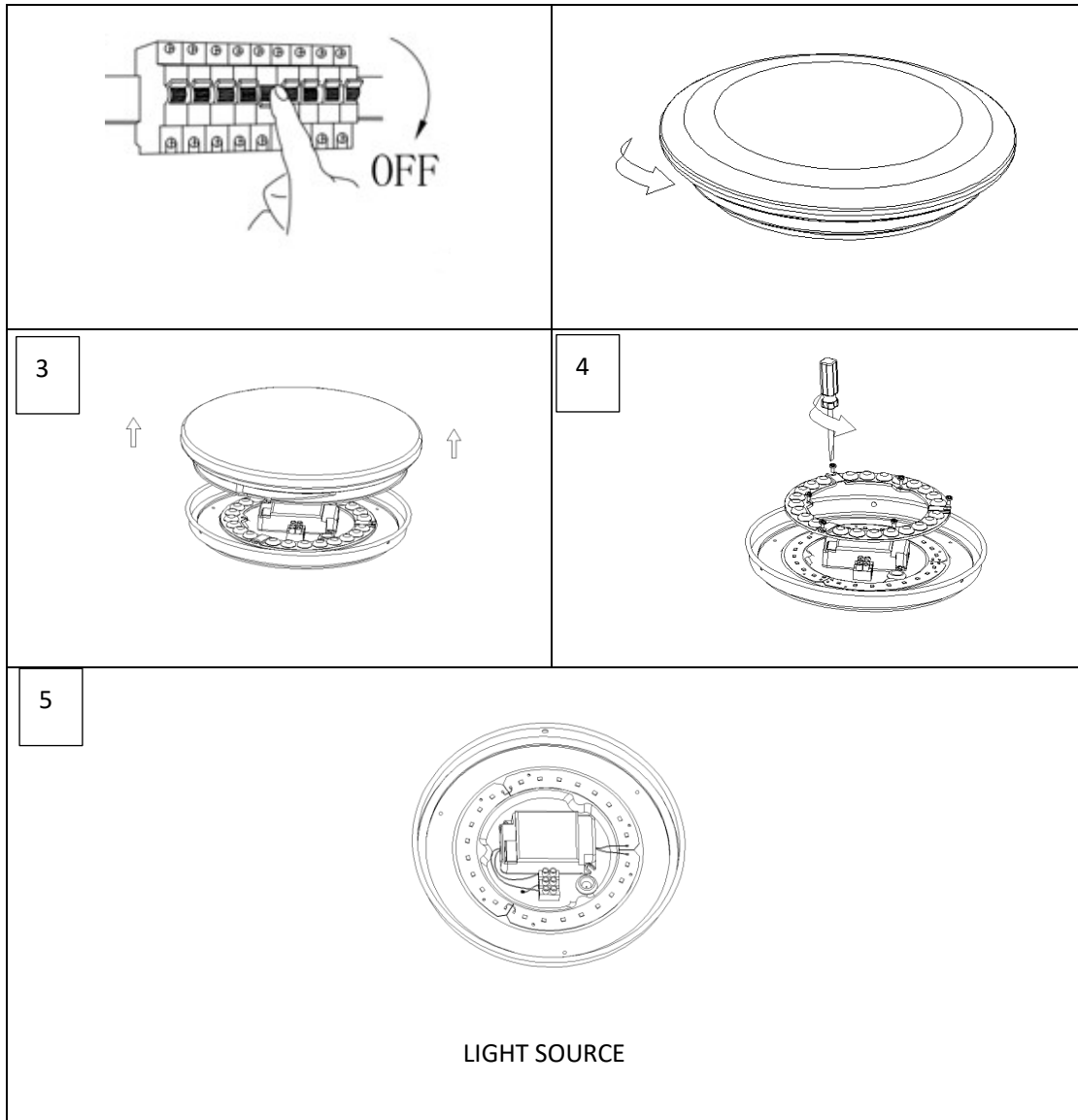
Philips and the Philips shield Emblem are registered trademarks of Koninklijke Philips N.V

2. Light Source Replaceable description

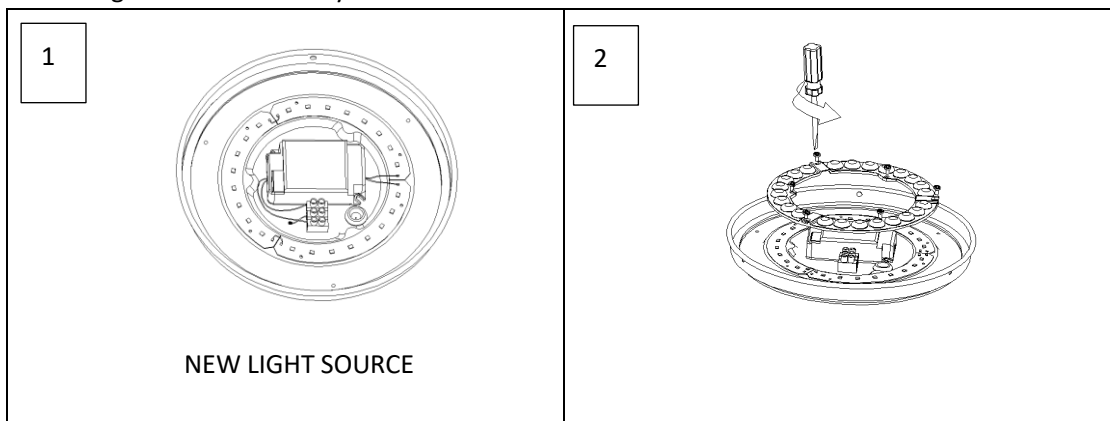
Non-user replaceable:

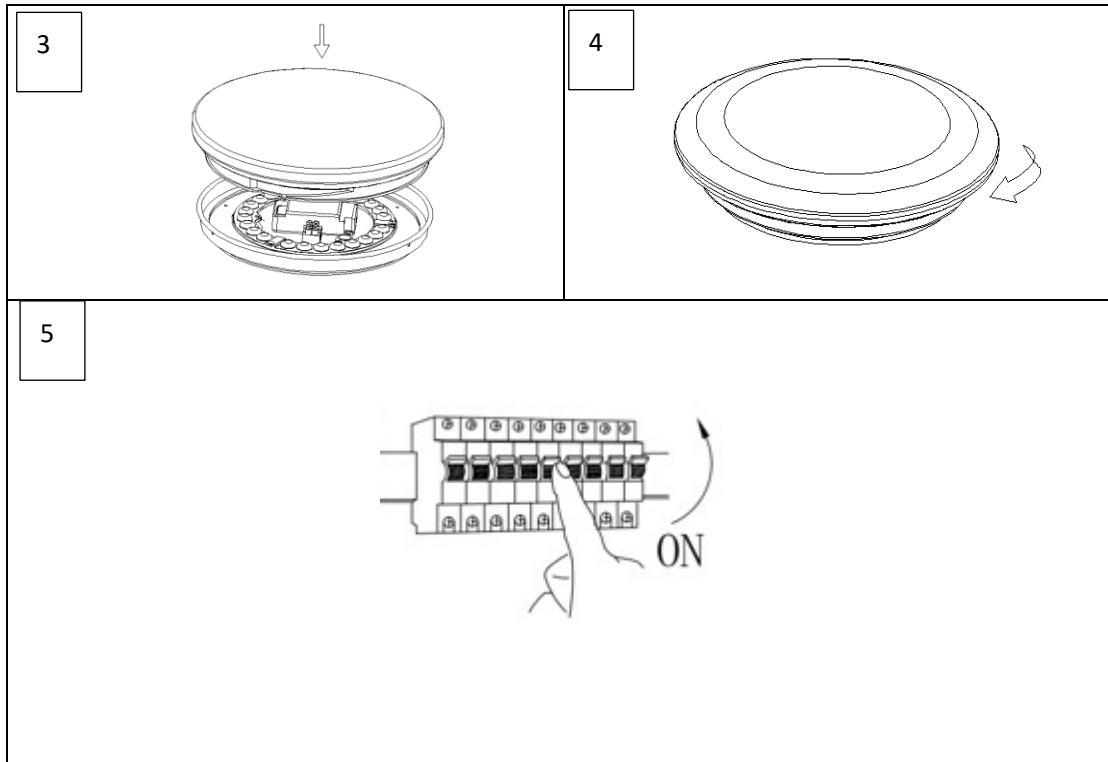
a. Old Light Source Disassembly Instruction





b. New Light Source Assembly Instruction:





Philips and the Philips shield Emblem are registered trademarks of Koninklijke Philips N.V