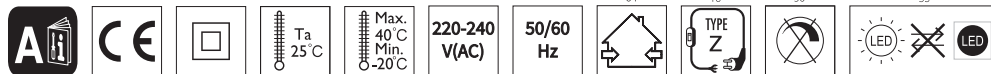
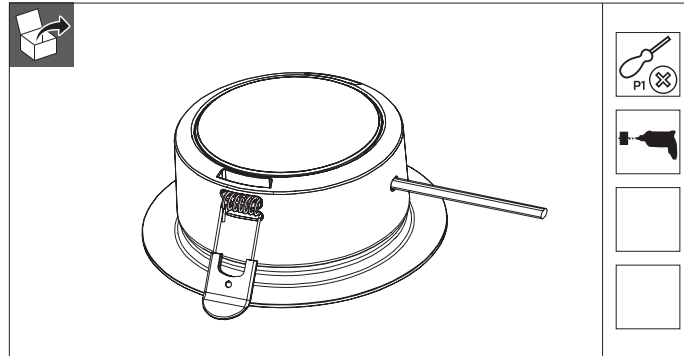


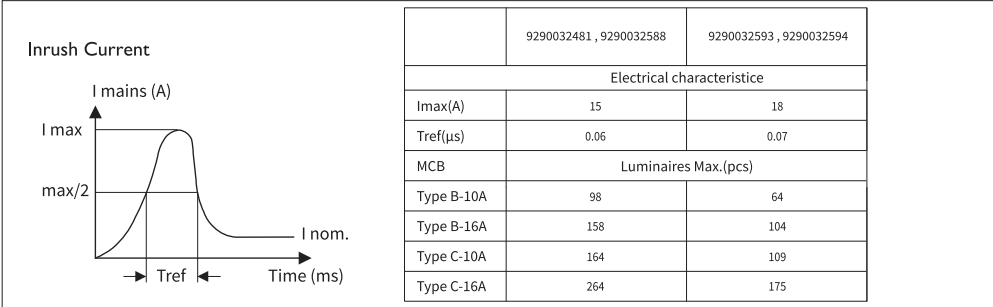
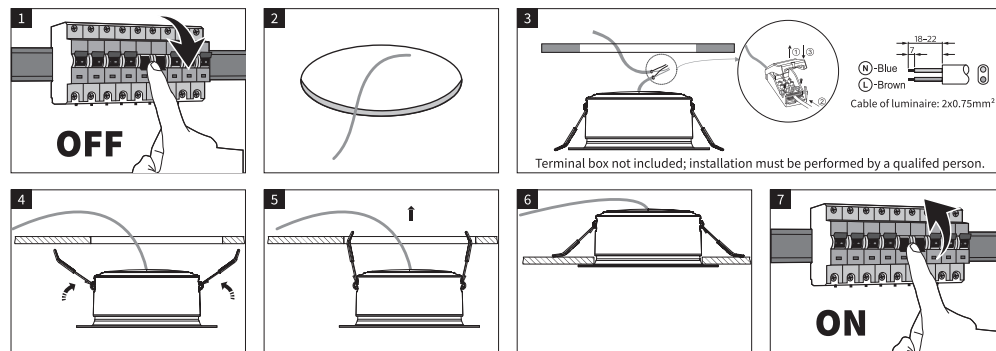
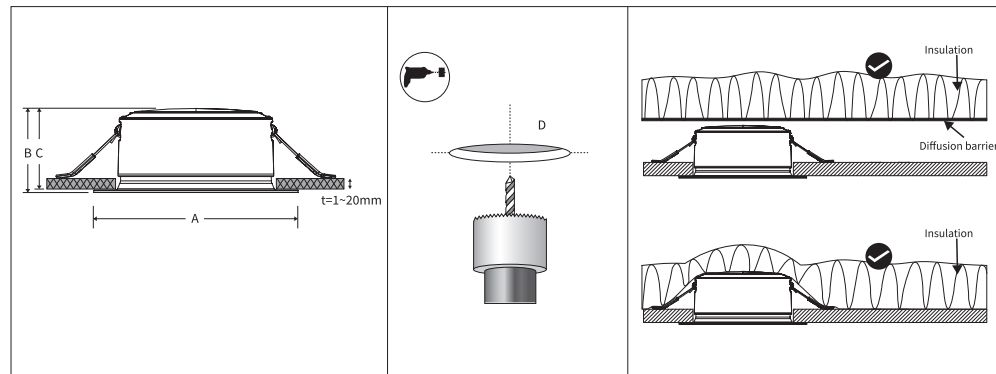
# PHILIPS

## Diamond Cut A Class downlight

DL264



Model	Product Description	Power(W)	CRI(Ra)	CCT(K)	Total Lumen(lm)	Energy efficiency class of light source	Dimension AxB,C(mm)	Cut-Out D(mm)	Weight (kg)
9290032588	DIAMOND CUT A Class DL264 RD075 30K WH	2	80	3000	360	A	φ95*49.5,48	φ68-80	0.083
9290032481	DIAMOND CUT A Class DL264 RD075 40K WH	2	80	4000	360	A	φ95*49.5,48	φ68-80	0.083
9290032593	DIAMOND CUT A Class DL264 RD090 30K WH	2.2	80	3000	400	A	φ105*49.5,48	φ80-90	0.099
9290032594	DIAMOND CUT A Class DL264 RD090 40K WH	2.2	80	4000	400	A	φ105*49.5,48	φ80-90	0.099



- ATTENTION**  
OBSERVE PRECAUTIONS FOR HANDLING ELECTROSTATIC SENSITIVE DEVICES
- 01 Please read this manual before you start to install the luminaire.
  - 02 The luminaire shall be installed by a qualified electrician and wired in accordance with the latest IEE electrical regulations of the national requirements.
  - 03 Switch OFF the power supply before the installation or maintenance to avoid electrical shock.
  - 04 The luminaire must not be used or stored in corrosive environment where hazardous materials such as Sulphur, Chlorine, Phthalates, etc., are present.

**ATTENTION: In B manual, you will find all the explanations with numeric reference to the icons respectively in front of these safety instructions.**



3241 659 88181  
© 2022 Signify Holding  
Signify

Philips and the Philips Shield Emblem are registered trademarks of Koninklijke Philips N.V. and are used under license