

PHILIPS

DALI Extender



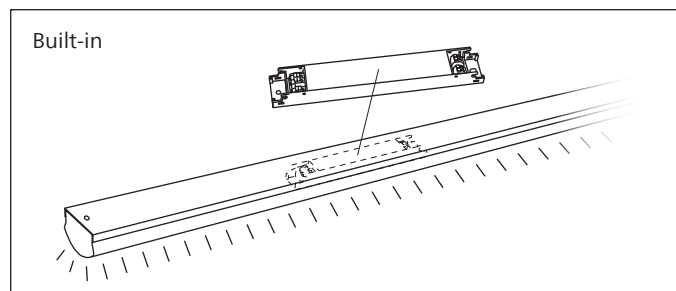
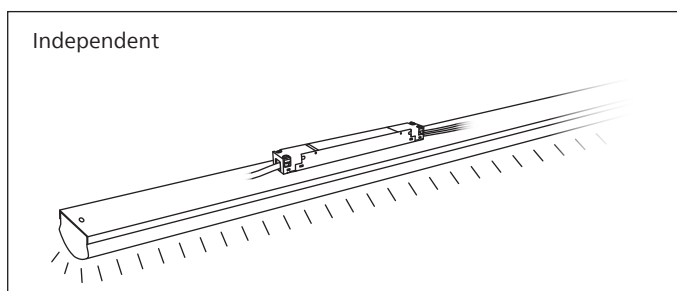
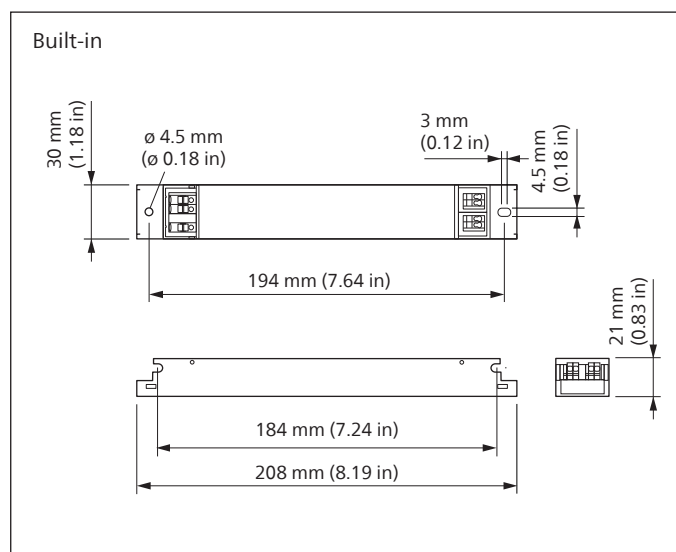
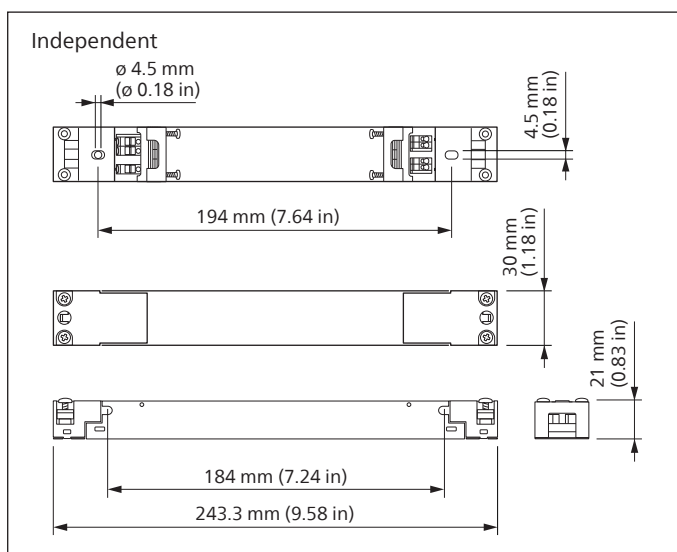
Installation Instructions

Instructions d'installation
Instrucciones de instalación

Istruzioni per l'installazione
Installatie-instructies

Installationsanweisungen
インストール手順

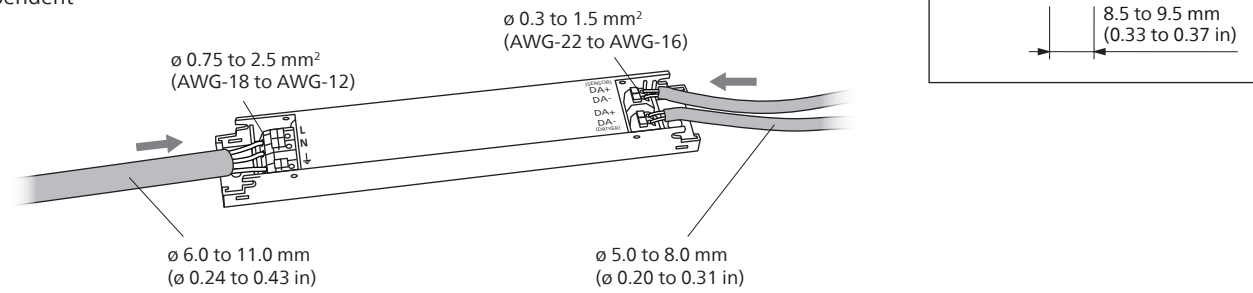
安裝指示书
إرشادات التركيب



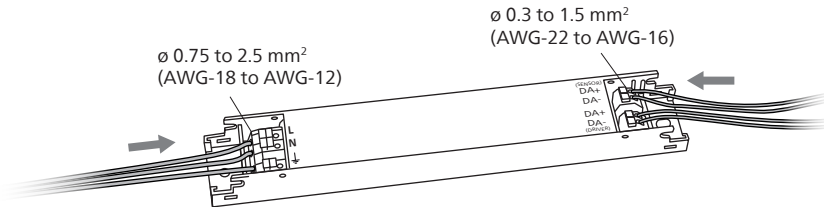
Built-in

Independent

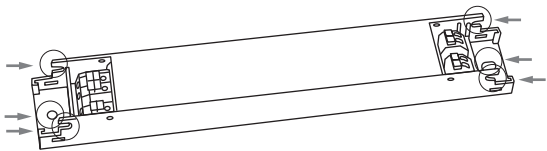
1 Independent



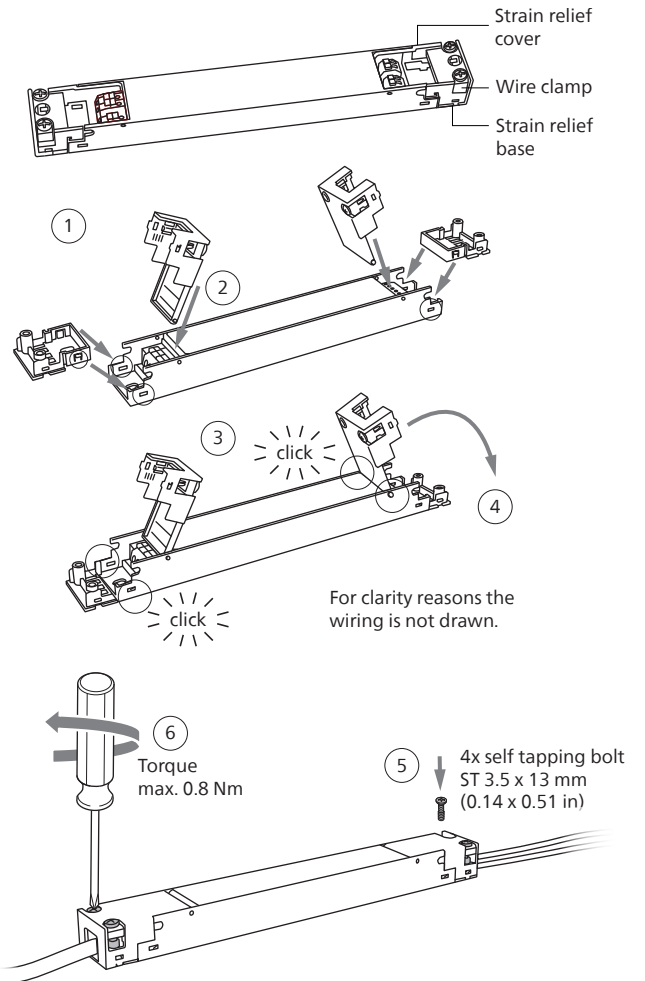
Built-in



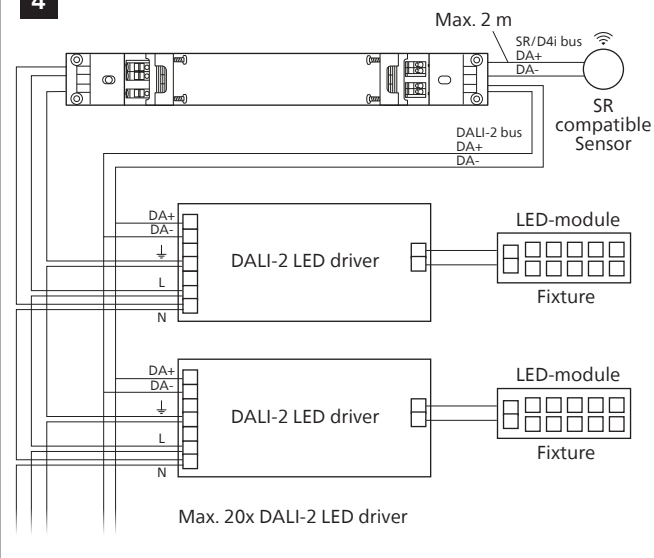
2 Surface mounting holes



3 Independent only



4



CAUTION:

⚠ Never connect mains to any DA port, it damages the device.

📌 **Note**
Do not connect unsupported devices to DALI extender.

Implements and tested for IEC 62386-101:2022

© 2023 Signify Holding. All rights reserved. Specifications are subject to change without notice. No representation or warranty as to the accuracy or completeness of the information included herein is given and any liability for any action in reliance thereon is disclaimed. Philips and the Philips Shield Emblem are registered trademarks of Koninklijke Philips N.V. All other trademarks are owned by Signify Holding or their respective owners.
4422 960 89444 7 March 2023



UK importer address:
Signify Commercial UK Limited
3, Guildford Business Park, GU2 8XG

www.philips.com/lighting

