


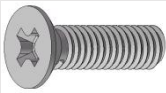








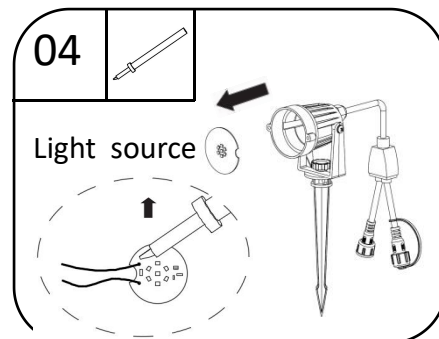
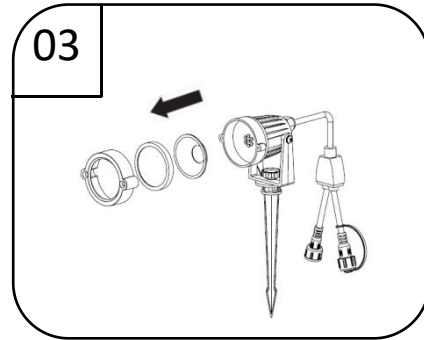
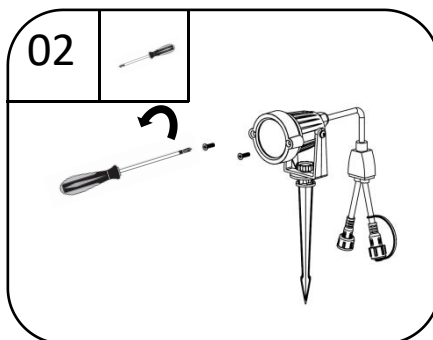
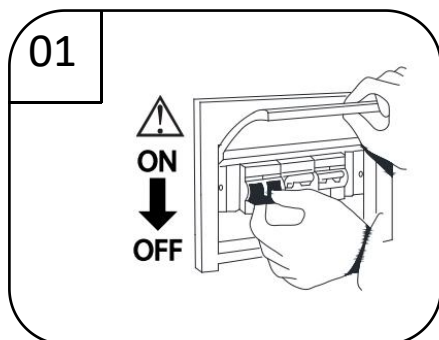
## 1.Dismantling

### a.Part list

Plastic part	Electrical part	Metal part
Cover 	PCB 	Thumb screw 
Reflector 	Wire 	Screws1 
Lamp body 		Screws2 
Connector 		Spring washer 
Support 		
Spike 		

## b.Part list

### Light source dismantling process



### Light source replacement process

