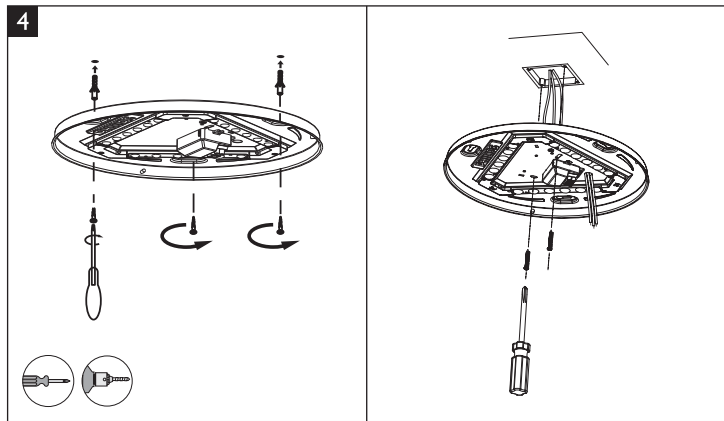
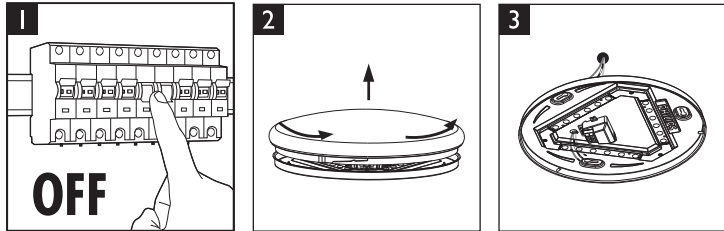
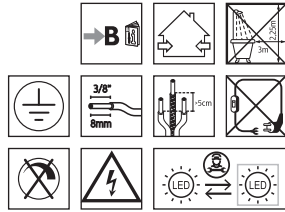


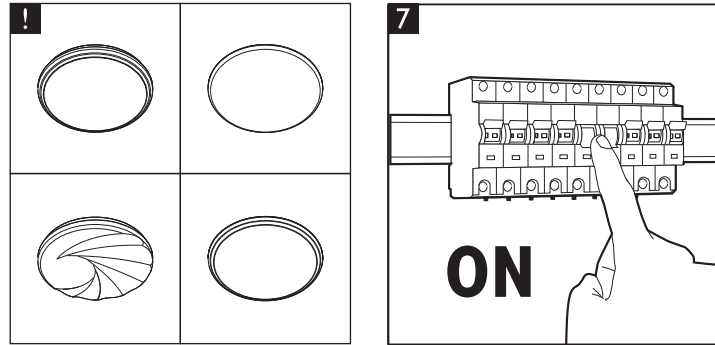
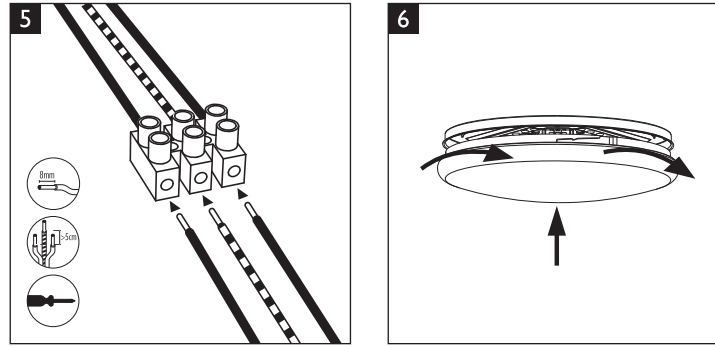
front

PHILIPS

Moire CL200
Shore CL202
Twirly CL254
Mauve
Suede



back



E 9150057789 9150057742 9150057765 318158717 318153117
318148716 318143116 318148717 318143117 318013116
3180131E0 3180131E4 318023116

F 9150057788 9290026221 9290025510 318158716 318153116
3336531P0 3180231E0 3180231E4 9290046445

Philips and the Philips shield emblem are registered trademarks of Koninklijke Philips N.V. and are used under license

Signify
I.B.R.S. / C.C.R.I. Numéro 10461
5600 VB Eindhoven, the Netherlands
www.philips.com/lighting

Signify Commercial UK Limited
Unit 3, Guildford Business Park,
Guildford, Surrey, GU2 8XG, UK



3241 657 49724
Last update: 12/07/24

size: 105mmx148mm

SIGNIFY

Brand PHILIPS
Product Family LED Luminaires
Shape N/A
Wattage N/A
Template Ref. N/A
SGS number 6594116
12-NC.NBR 324165749724
Masterdrawing N/A
CRC Ref. _____

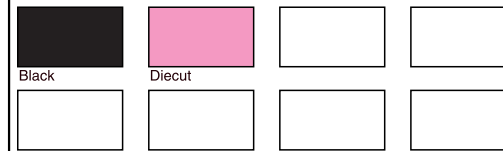
Barcode No. N/A

Operator(s) janezheng

VERSION No. **v2**

Date in 20171110

Date amended 20240712



Date Check _____

Check briefing Traffic

Artwork document

Legend Number of colors

12NC Trapping/Bleed

Barcode Images hires

Diecut Jobsizes

Approval

QC Lithographer SGS Shanghai Production

Product Manager fanny.hsu@signify.com

Traffic Manager Sadie Shen

DISCLAIMER:

Please note that the original Artwork was not built by SGS. SGS only made change on specific content as listed in below. Therefore, SGS does not hold any responsibility for other content in this file. If you have any questions regarding the artwork, please contact with Philips Lighting PCC accordingly.

Author/作者	Date/日期	Revision description/更改描述
Jane zheng	2021/11/05	based on 324165749722 (6376548-1) follow "324165749723 comments.pdf" to update
luyaohui	2024/07/12	增加model name"9290046445"