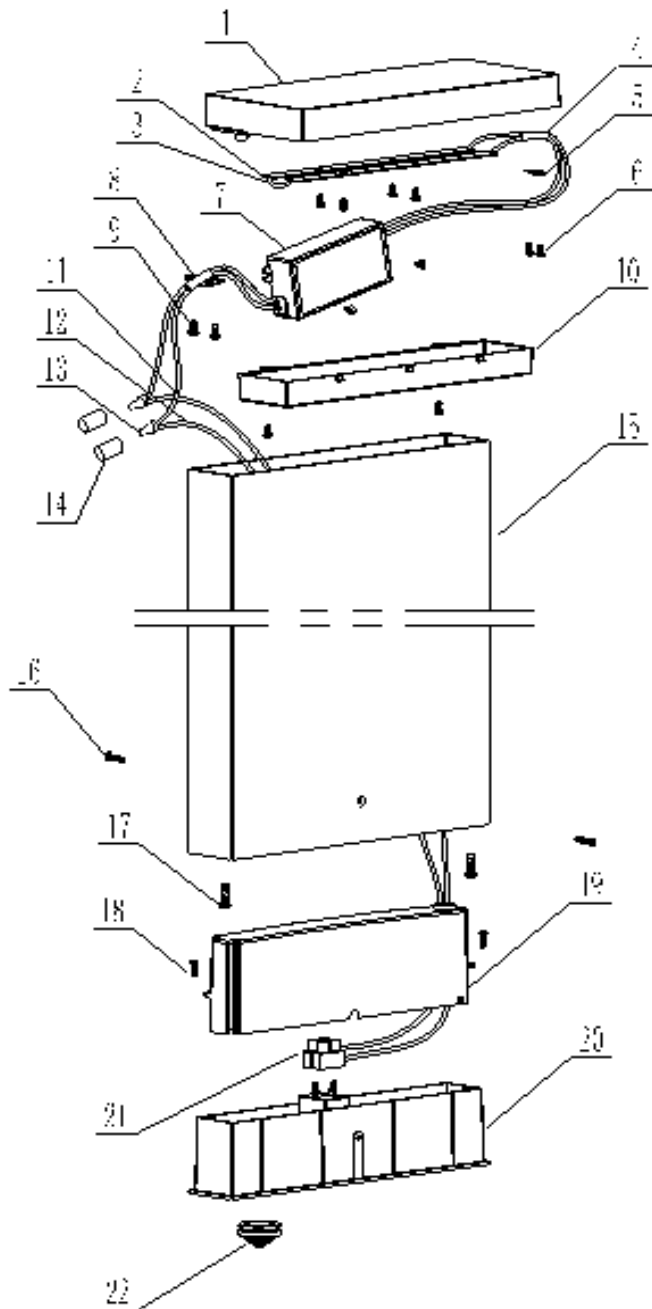


## Dismantling Recommendation on Disposal at End of Life

### Composition Explanation



# Dismantling Recommendation on Disposal at End of Life

## Composition Explanation

No.	Components	Specifications	Unit	Quantity
1	17OU1-16485E head	ADC12	PCS	1
2	YL20-6-8DB4W-C007-827		PCS	2
3	VED white wire	H05S-K 1*0.5MM2	PCS	1
4	φ5 heat shrink tube		M	0.08
5	Strain relief	PA6	PCS	1
6	M3*5 screw	Zinc coated	PCS	10
7	PYS-10-350 10W driver		PCS	1
8	Strain relief	PC110U	PCS	1
9	M4*6 screw	Zinc coated	PCS	2
10	17OU1-16485E diffuser	PC	PCS	1
11	VDE brown wire	H05SS-K,1*0.75mm <sup>2</sup>	PCS	1
12	VDE blue wire	H05SS-K,1*0.75mm <sup>2</sup>	PCS	1
13	Closed end connector		PCS	2
14	φ10 heat shrink tube	φ10	M	0.1
15	17OU1-16486E post	AL	PCS	1
16	BT3*10 screw	SS 304	PCS	2
17	M4*10 screw	Zinc coated	PCS	2
18	BT2.9*10 screw	Zinc coated	PCS	2
19	17OU1-16485E base cover	ABS417	PCS	1
20	17OU1-16485E base	PA6+30%GF	PCS	1
21	Terminal block	PA10	PCS	1
22	φ27 gromet	TPE	PCS	1

## Dismantling Recommendation on Disposal at End of Life

### Dismantling

- Type: Without permanent damage

### Recommendation on Disposal

- Plastic part: Reuse and Recycling
- Electrical part: Incineration and disposal
- Metal part: Recycling

### Light source dismantling process

