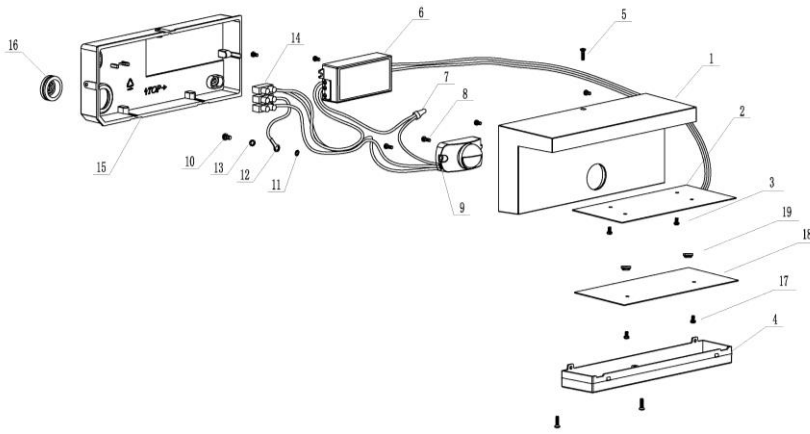


Dismantling Recommendation on Disposal at End of Life

Composition Explanation



No.	Components	Specifications	Unit	Quantity
1	aluminium enclosure	ZL102	PCS	1
2	L2	SS	PCS	1
3	M3*5 screw	Zinc coated	PCS	6
4	Diffuser	PC	PCS	1
5	BT3*10 screw	SS	PCS	3
6	Driver		PCS	1
7	wire joint		PCS	1
8	M3*8 screw	Zinc coated	PCS	2
9	inductor		PCS	2
10	M4*8 screw	Zinc coated	PCS	2
11	gasket	SS	PCS	2
12	VDE yellow and green wire	H05V-K 0.75mm2	PCS	1
13	φ4gasket	SS	PCS	1
14	Terminal block	PA10	PCS	1
15	Wall plate	ABS	PCS	1
16	Gromet	TPE	PCS	1
17	M3*10 screw	Zinc coated	PCS	2
18	plastic board	PC	PCS	1
19	screw sleeve	PC	PCS	2

Dismantling Recommendation on Disposal at End of Life

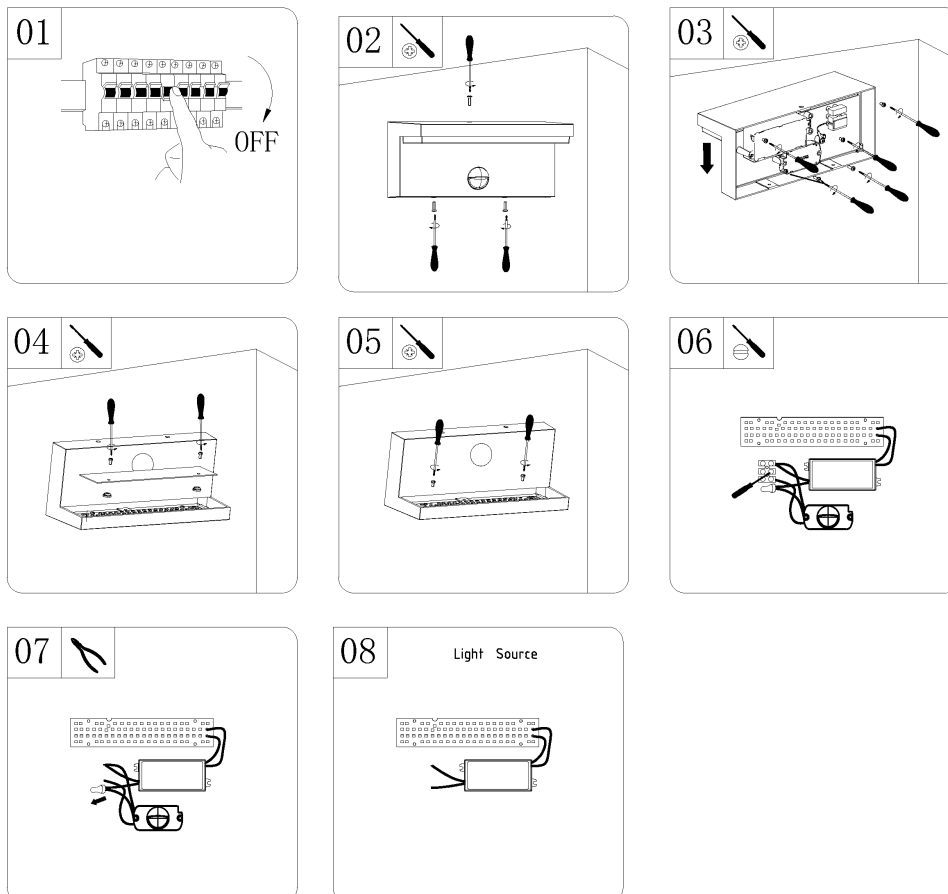
Dismantling

- Type: Without permanent damage

Recommendation on Disposal

- Plastic part: Reuse and Recycling
- Electrical part: Incineration and disposal
- Metal part: Recycling

Light source dismantling process



Dismantling Recommendation on Disposal at End of Life

New Light Source Assembly Instruction:

