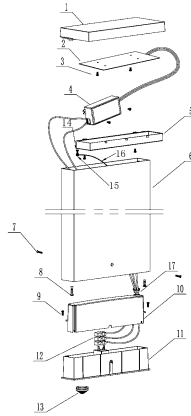


## Dismantling Recommendation on Disposal at End of Life

### Composition Explanation



No.	Components	Specifications	Unit	Quantity
1	aluminium enclosure	ZL102	PCS	1
2	L2		PCS	1
3	M3*5 screw	Zinc coated	PCS	4
4	Driver		PCS	1
5	Diffuser	PC	PCS	1
6	aluminium product	6063	PCS	1
7	BT3*10 screw	SS	PCS	2
8	M4*10 screw	Zinc coated	PCS	2
9	BT2.9*10 screw	Zinc coated	PCS	2
10	Bottom	ABS	PCS	1
11	pedestal	PA6+30%GF	PCS	1
12	Terminal block	PA10	PCS	1
13	Gromet	TPE	PCS	1
14	M4*8 screw	Zinc coated	PCS	1
15	φ4gasket	Zinc coated	PCS	3
16	VDE yellow and green wire	H05V-K 0.75mm2	PCS	1
17	rubber ring	silica gel	PCS	1
18	plastic board	PC	PCS	1
19	screw sleeve	PC	PCS	1
20	M3*10 screw	Zinc coated	PCS	2

## Dismantling Recommendation on Disposal at End of Life

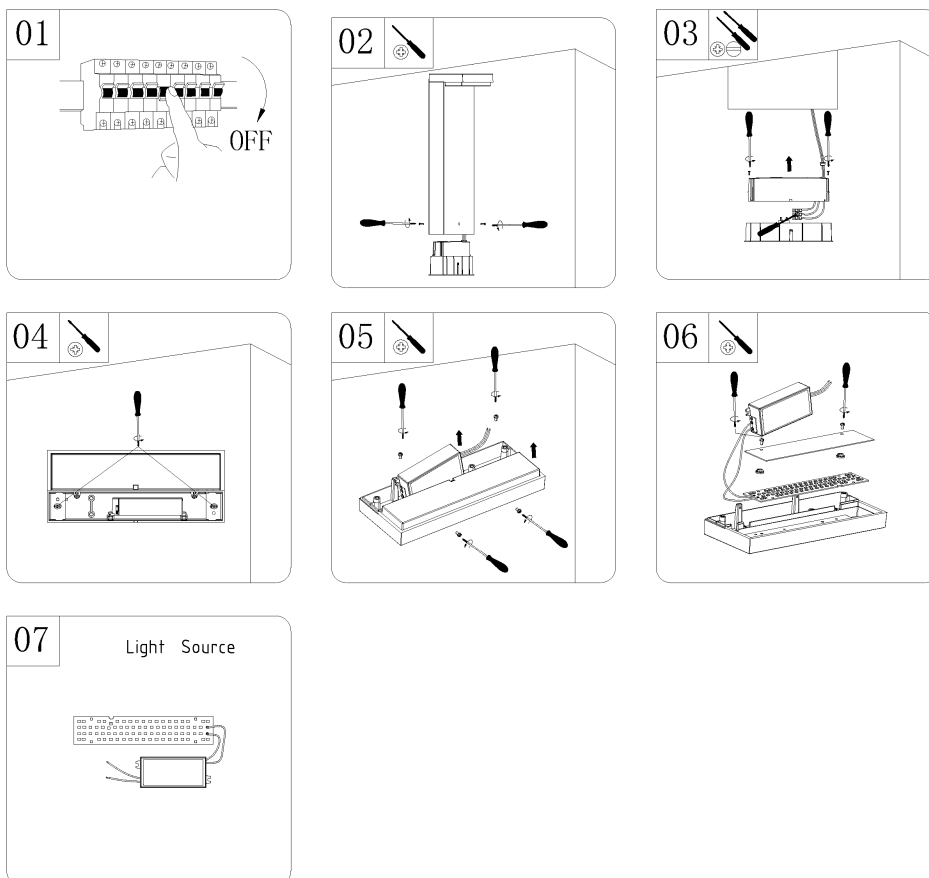
### Dismantling

- Type: Without permanent damage

### Recommendation on Disposal

- Plastic part: Reuse and Recycling
- Electrical part: Incineration and disposal
- Metal part: Recycling

### Light source dismantling process



## Dismantling Recommendation on Disposal at End of Life

New Light Source Assembly Instruction:

