



Lightolier 3D Printed Decorative High Bay, IHB series, takes a classic product redesigned in an integrated modern modular decorative form. It's not often that a traditional High Bay gets a complete redesign makeover! Light-weight yet durable polycarbonate construction reduces weight that helps ease handling during installation. Unleash your inner creator and select from a variety of color options to help tailor your design.

Project: _____
 Location: _____
 Cat.No: _____
 Type: _____
 Qty: _____
 Notes: _____

Medium fixture

example: 3DP IHB BL M CL LF WHST LF 10/14/20L 940

Series	Shapes	Sizes	↓ Lower Shade		↑ Upper Shade		Lumens	CRI/CCT
			Satin colors	Textures	Colors	Textures		
3DPIHB		M					10/14/20L	
3DP IHB 3D Printed Integrated High Bay	BL Bell	M Medium (17.5" / 444.5mm)	CL Clear WHTL Trans. White GYSM Smokey Grey	LF Layered Fine TC Tufted Coarse (Transparent)	BKST Satin Black BSST Satin Brass BZST Satin Bronze GYST Satin Grey SAGE Satin Sage WHST Satin White	LF Layered Fine	10/14/20L 10,000 / 14,000 / 20,000lm	935 90 CRI / 3500K
	LA Layers	M Medium (21" / 534mm)	CL Clear WHTL Trans. White GYSM Smokey Grey	LF Layered Fine TC Tufted Coarse (Transparent)		LF Layered Fine		
	BN Barn	M Medium (15.67" / 398mm)	N None	N None		LF Layered Fine FC Facets		940 90 CRI / 4000K

Note: Different colors, textures and custom logo options are available upon request, but will take a longer lead time to produce.

Large fixture

example: 3DP IHB BL L CL LF WHST LF 25/30/33L 940

Series	Shapes	Sizes	↓ Lower Shade		↑ Upper Shade		Lumens	CRI/CCT
			Satin Colors	Textures	Colors	Textures		
3DPIHB		L					25/30/33L	
3DP IHB 3D Printed Integrated High Bay	BL Bell	L Large (19.5" / 495.3mm)	CL Clear WHTL Trans. White GYSM Smokey Grey	LF Layered Fine TC Tufted Coarse (Transparent)	BKST Satin Black BSST Satin Brass BZST Satin Bronze GYST Satin Grey SAGE Satin Sage WHST Satin White	LF Layered Fine	25/30/33L 25,000 / 30,000 / 33,000lm (Switchable)	935 90 CRI / 3500K
	LA Layers	L Large (23" / 584mm)	CL Clear WHTL Trans. White GYSM Smokey Grey	LF Layered Fine TC Tufted Coarse (Transparent)		LF Layered Fine		
	BN Barn	L Large (18.15" / 461mm)	N None	N None		LF Layered Fine FC Facets		940 90 CRI / 4000K

Note: Different colors, textures and custom logo options are available upon request, but will take a longer lead time to produce.



Unleash your inner creator

To configure your custom 3D printed luminaire, scan this QR Code with your smartphone's camera or visit us at: <https://www.3dprinted.lighting.lightolier.com/en/us/IHB-Series/>

Declare.



IHB Series

3D Decorative High Bay (medium & large)

Features

- Customizable:** choose from a wide variety of colors, textures, and styles to help personalize customer options.
- Sustainable:** 3D Printed products produce less carbon emissions when compared to traditional, conventional luminaires.
- Local production:** Printed & assembled in Littlestown, PA.
- Quick delivery:** Created on demand and shipped in weeks.
- Color Rendering Index:** Standard 90CR on all lumen packages.
- Selectable lumen:** Gives the ability to switch between three different lumen packages.
- Mounting options:** Hook Mount, provided. Bracket Mount (available to order separately).
HCY-SURFACE BKT SM
HCY-SURFACE BKT LG
Stem Adapter(available to order separately).
IHB-STEM-ADP-M (for medium size High Bay)
IHB-STEM-ADP-L (for large size High Bay)
2-to-1 Cord extension kit - Up to 20' (available to order separately).
3DPIHB-CORDEXTBLK20 (Black cord)
3DPIHB-CORDEXTWHT20 (White cord)

8. Emergency Backup: Chloride by Signify ZI Series: ZIS250W

Electrical

- Lifetime:** B50 L70 at 50,000 hours
- Ambient Temp:** 35°C
- Frequency:** 50-60 Hz
- Power Factor:** > 0.90
- UGR:** < 28
- Dimming:** 0-10V
- Wattage:** 3DP I HB xx M - 10/14/20K
Lumen = 70/100/150 Watts
3DP I HB xx L - 25/30/33K
Lumen = 180/220/240 Watts
- Input Voltage:** 120/277/347V

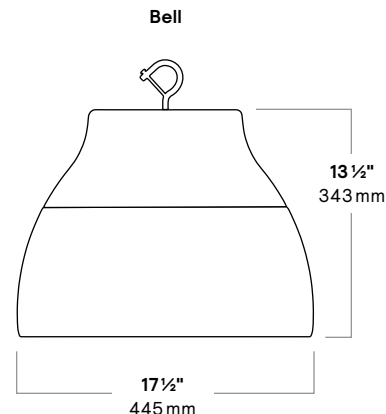
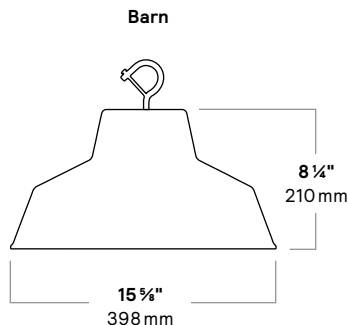
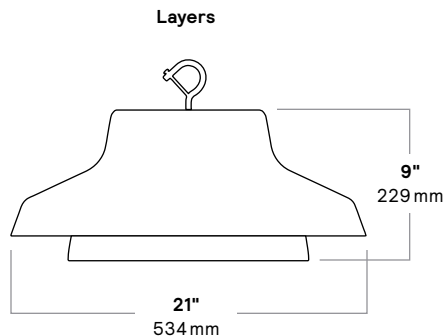
Labels

cULus Listed, 5 year warranty,
Declare. LBC Red List Approved.
IP20 & RoHS, IK05, DLC & DLC Premium
on certain models

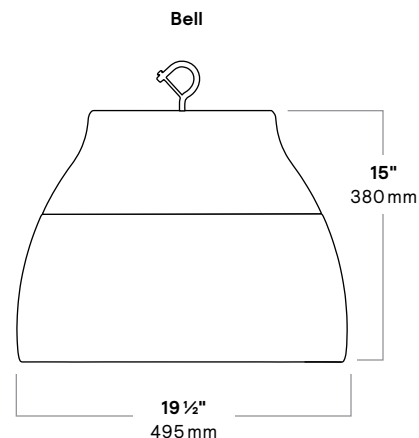
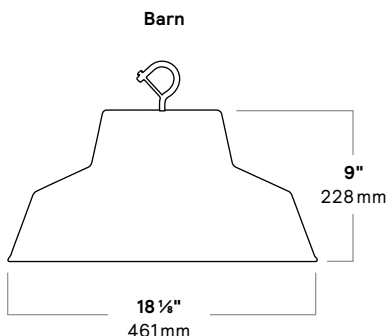
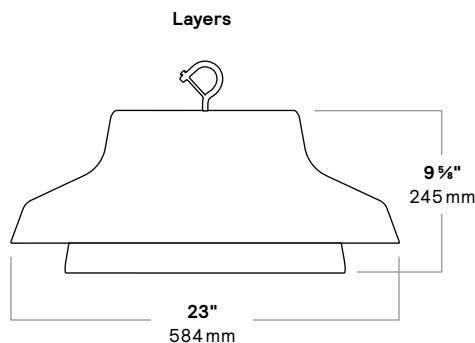
Buy American Act of 1933 (BAA)

This product is manufactured in one of our US factories and, as of the date of this document, this product was considered a commercially available off-the-shelf (COTS) item meeting the requirements of the BAA. This BAA designation hereunder does not address (i) the applicability of, or availability of a waiver under, the Trade Agreements Act, or (ii) the "Buy America" domestic content requirements imposed on states, localities, and other non-federal entities as a condition of receiving funds administered by the Department of Transportation or other federal agencies. Prior to ordering, please visit www.signify.com/baa to view a current list of BAA-compliant products to confirm this product's current compliance.

Medium Dimensions



Large Dimensions



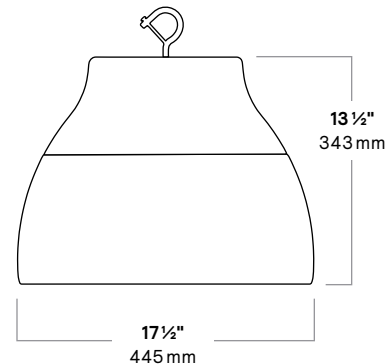
IHB Series

3D Decorative High Bay (medium & large)

Bell - Medium (M) (CL Clear lower shade texture options)



Medium (M) dimensions



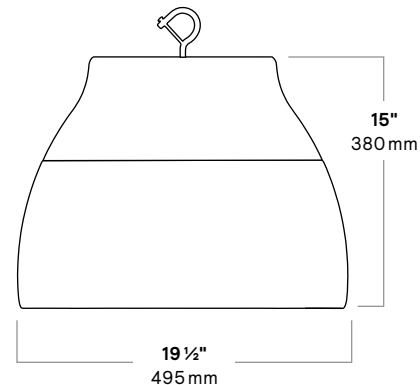
LF Layered Fine

TC Tufted Coarse
(Transparent)

Bell - Large (L) (CL Clear lower shade texture options)



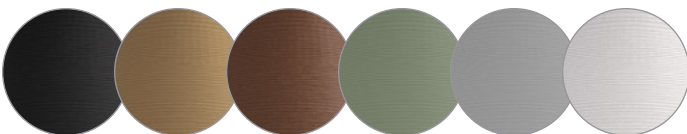
Large (L) dimensions



LF Layered Fine

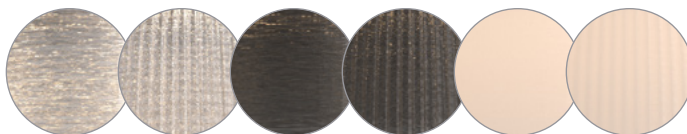
TC Tufted Coarse
(Transparent)

Bell (Upper shade color options)



↑ C: BKST ↑ C: BSST ↑ C: BZST ↑ C: SAGE ↑ C: GYST ↑ C: WHST
 ↑ T: LF ↑ T: LF ↑ T: LF ↑ T: LF ↑ T: LF ↑ T: LF

Bell (Lower shade texture options)



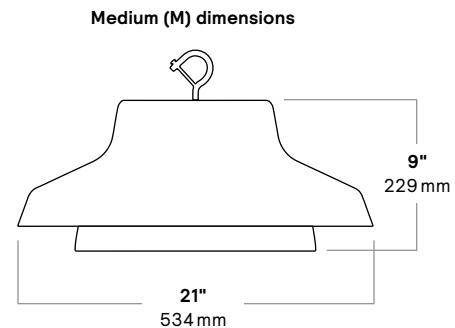
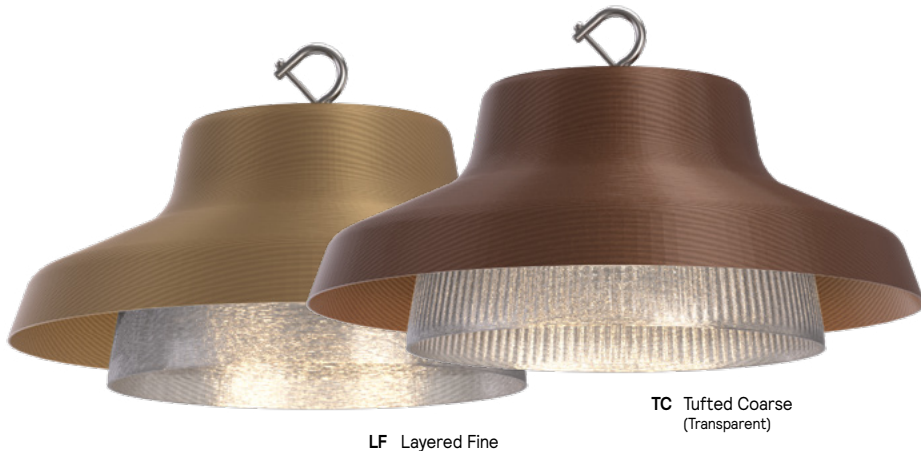
↓ C: CL ↓ C: CL ↓ C: GYSM ↓ C: GYSM ↓ C: WHTL ↓ C: WHTL
 ↓ T: LF ↓ T: TC ↓ T: LF ↓ T: TC ↓ T: LF ↓ T: TC

C = Color of shade
 T = Texture of lower shade

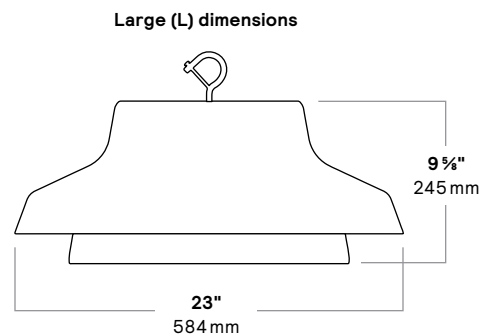
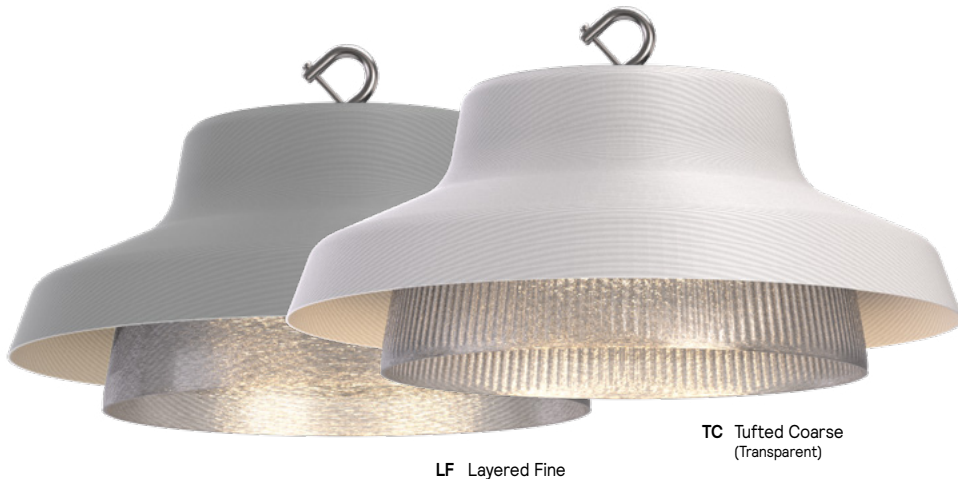
IHB Series

3D Decorative High Bay (medium & large)

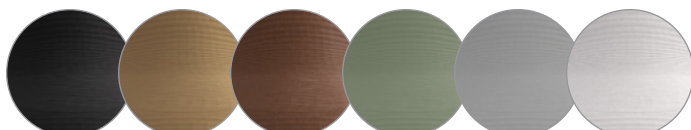
Layers - Medium (M) (CL Clear lower shade texture options)



Layers - Large (L) (CL Clear lower shade texture options)



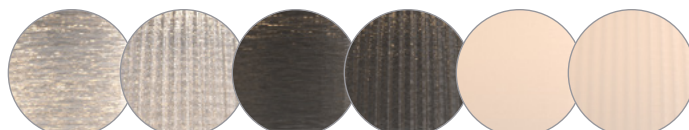
Layers (Upper shade color options)



↑ C: BKST ↑ C: BSST ↑ C: BZST ↑ C: SAGE ↑ C: GYST ↑ C: WHST
 ↑ T: LF ↑ T: LF ↑ T: LF ↑ T: LF ↑ T: LF ↑ T: LF

C = Color of shade
 T = Texture of lower shade

Layers (Lower shade texture options)



↓ C: CL ↓ C: CL ↓ C: GYSM ↓ C: GYSM ↓ C: WHTL ↓ C: WHTL
 ↓ T: LF ↓ T: TC ↓ T: LF ↓ T: TC ↓ T: LF ↓ T: TC

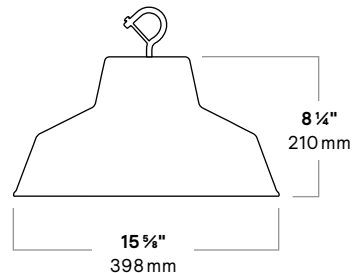
IHB Series

3D Decorative High Bay (medium & large)

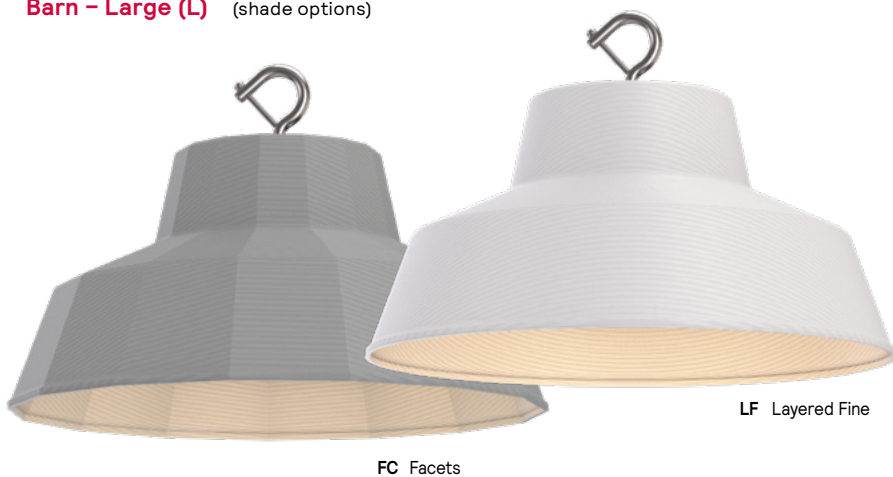
Barn – Medium (M) (shade options)



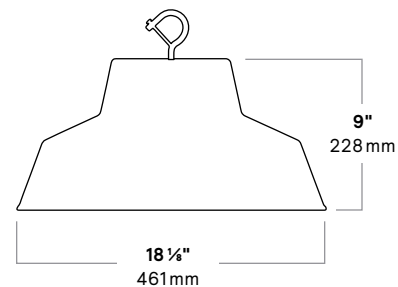
Medium (M) dimensions



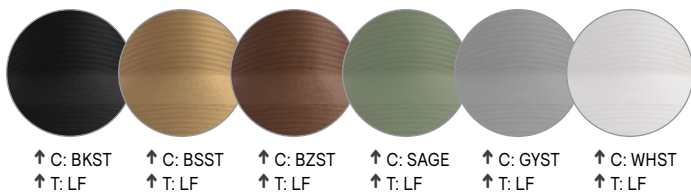
Barn – Large (L) (shade options)



Large (L) dimensions



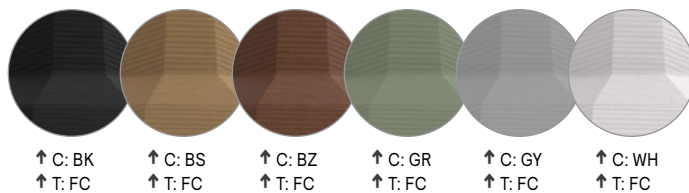
Barn (Shade color options for Layered Fine texture option)



↑ C: BKST ↑ C: BSST ↑ C: BZST ↑ C: SAGE ↑ C: GYST ↑ C: WHST
 ↑ T: LF ↑ T: LF ↑ T: LF ↑ T: LF ↑ T: LF ↑ T: LF

C = Color of shade
T = Texture of shade

Barn (Shade color options for Facets texture option)



↑ C: BK ↑ C: BS ↑ C: BZ ↑ C: GR ↑ C: GY ↑ C: WH
 ↑ T: FC ↑ T: FC ↑ T: FC ↑ T: FC ↑ T: FC ↑ T: FC

IHB Series

3D Decorative High Bay (large)

3DPIHB-BL-L-BKMT-CL-LF-253033-935 • 180W 3500K

Candela Curve

Output lms: 24,413lm
Input Watts: 179.9W
Spacing Crit.: 1.3
Beam Angle: 81°
Efficacy: 135.7lm/W
CCT²: 3500K
CRI: 90 min
Report no³: 1533

Angle	Mean CP	Lumens
0	11940	
5	12085	
10	12142	1149
15	12149	
20	12336	3433
25	12335	
30	11271	5481
35	8948	
40	6219	5450
45	4192	
50	2955	3305
55	2744	
60	2128	2275
65	1449	
70	834	1480
75	485	
80	333	568
85	267	
90	218	313

Single unit data

Height to Lighted Plane	Initial Center Beam Foot-Candles	Beam Dia. (ft)*
9'	119	13.0'
10'	83	15.6'
11'	61	18.2'
12'	47	20.8'
13'	37	23.4'

Coefficients of utilization

Room Cavity Ratio	80%	70%	50%	30%	0%
0	118	118	118	118	96
1	110	106	103	99	85
2	102	95	90	85	74
3	95	86	79	74	66
4	88	78	70	65	58
5	82	71	63	57	52
6	76	65	57	51	47
7	71	59	52	46	43
8	67	55	47	42	39
9	63	51	43	38	36
10	59	47	40	35	33

Zonal lumens & percentages

Zone	Lumens	%Luminaire
0-30	10063	41.2%
0-40	15513	63.5%
0-60	21093	86.4%
0-90	23454	96.1%
0-180	24413	100%

* Beam diameter is where foot-candles drop to 50% of maximum.

3DPIHB-BL-L-BKMT-CL-LF-253033-935 • 220W 3500K

Candela Curve

Output lms: 28,888lm
Input Watts: 219.3W
Spacing Crit.: 1.3
Beam Angle: 81°
Efficacy: 131.7lm/W
CCT²: 3500K
CRI: 90 min
Report no³: 1533

Angle	Mean CP	Lumens
0	14102	
5	14270	
10	14345	1357
15	14341	
20	14552	4054
25	14545	
30	13270	6473
35	10531	
40	7311	6439
45	4937	
50	3499	3903
55	3266	
60	2528	2704
65	1723	
70	992	1765
75	580	
80	397	680
85	318	
90	260	373

Single unit data

Height to Lighted Plane	Initial Center Beam Foot-Candles	Beam Dia. (ft)*
9'	98	15.6'
10'	72	18.2'
11'	55	20.8'
12'	44	23.4'
13'	35	26.0'

Coefficients of utilization

Room Cavity Ratio	80%	70%	50%	30%	0%
0	118	118	118	118	96
1	110	106	103	99	85
2	102	95	90	85	74
3	95	86	79	74	66
4	88	78	70	65	58
5	82	71	63	57	52
6	76	65	57	51	47
7	71	59	52	46	43
8	67	55	47	42	39
9	63	51	43	38	36
10	59	47	40	35	33

Zonal lumens & percentages

Zone	Lumens	%Luminaire
0-30	11884	41.1%
0-40	18322	63.4%
0-60	24929	86.3%
0-90	27746	96.0%
0-180	28888	100%

* Beam diameter is where foot-candles drop to 50% of maximum.

3DPIHB-BL-L-BKMT-CL-LF-253033-935 • 240W 3500K

Candela Curve

Output lms: 30,900lm
Input Watts: 237.2W
Spacing Crit.: 1.3
Beam Angle: 81°
Efficacy: 130.3lm/W
CCT²: 3500K
CRI: 90 min
Report no³: 1533

Angle	Mean CP	Lumens
0	15060	
5	15153	
10	15229	1449
15	15224	
20	15442	4328
25	15456	
30	14211	6913
35	11363	
40	7936	6883
45	5365	
50	3771	4173
55	3517	
60	2743	2899
65	1888	
70	1094	1900
75	636	
80	432	732
85	344	
90	280	401

Single unit data

Height to Lighted Plane	Initial Center Beam Foot-Candles	Beam Dia. (ft)*
11'	105	15.6'
12'	77	18.2'
13'	59	20.8'
14'	46	23.4'
15'	38	26.0'

Coefficients of utilization

Room Cavity Ratio	80%	70%	50%	30%	0%
0	118	118	118	118	96
1	110	106	103	99	85
2	102	95	90	85	74
3	95	86	79	74	66
4	88	78	70	65	58
5	82	71	63	57	52
6	76	65	57	51	47
7	71	59	52	46	43
8	67	55	47	42	39
9	63	51	43	38	36
10	59	47	40	35	33

Zonal lumens & percentages

Zone	Lumens	%Luminaire
0-30	12690	41.1%
0-40	19573	63.3%
0-60	26644	86.2%
0-90	29677	96.0%
0-180	30900	100%

* Beam diameter is where foot-candles drop to 50% of maximum.