



Technical specification

General Specifications

Mode of operation	Point-to-Point
Standards compliance	ITU-T G.9991 (G.vlc)
Transmission mode	TDMA with dynamic bandwidth allocation
Modulation	OFDM
Latency	Typ. <1,5 ms / Max. < 3 ms
Network protocol	Ethernet (transparent)
Security	128-bit AES CCMP Encryption
Management	GUI based Web-interface. Optional: Network Monitoring and Control (SNMPv1, SNMPv2c, SNMPv3, SSH), licensed, in combination with Trulifi Controller 6800
Quality of Service	Packet prioritization (8 levels)
Optical transmitter	Infrared LED
Wavelength	820 nm
LED power classification	Photobiological safety Risk Group 0 (Risk Group Exempt) EN 62471:2009
Transmit angle	(FWHM) 1 degrees
Receive angle	(FWHM) 4 degrees
Device powering	Power over Ethernet IEEE 802.3af PoE Type-1 PoE injector not included
Power consumption	max. 5.5 W (full traffic load) @Tamb 25°C
Network connections	M12 8-pin, X-coded connector (Female)

Operating temperature	-25°C to +55C
Protection class	IP65
Regulatory compliance	CE, UKCA, FCC 47CFR Part 15B, CAN ICES-003 (B) / NMB-003 (B) EN 62368-1: 2020, EN 55032: 2015, EN61000-6-2:2019, EN50581:2012, MIL STD 810H Annex C, category 4
Optical alignment	RSSI Indicator, (Optional vizer and tripod)
Mounting options (excluded)	Tripod mount (included in flight case) Wall Mount Bracket
Weight Fast Field Data Link (excl mounts & options)	730 gram
Dimensions W x H x D (cm), (excl mounts & options)	<10.3 x 15x 10
Casing Material	Alloy

Data rate

Data rate High Speed Mode	40 - 940 Mbps
Data rate Long Range Mode	40 - 280 Mbps
Notes	<i>Measurement conditions:</i> <ul style="list-style-type: none"> • Clear line of sight • Both units are perfectly aligned

Data rate

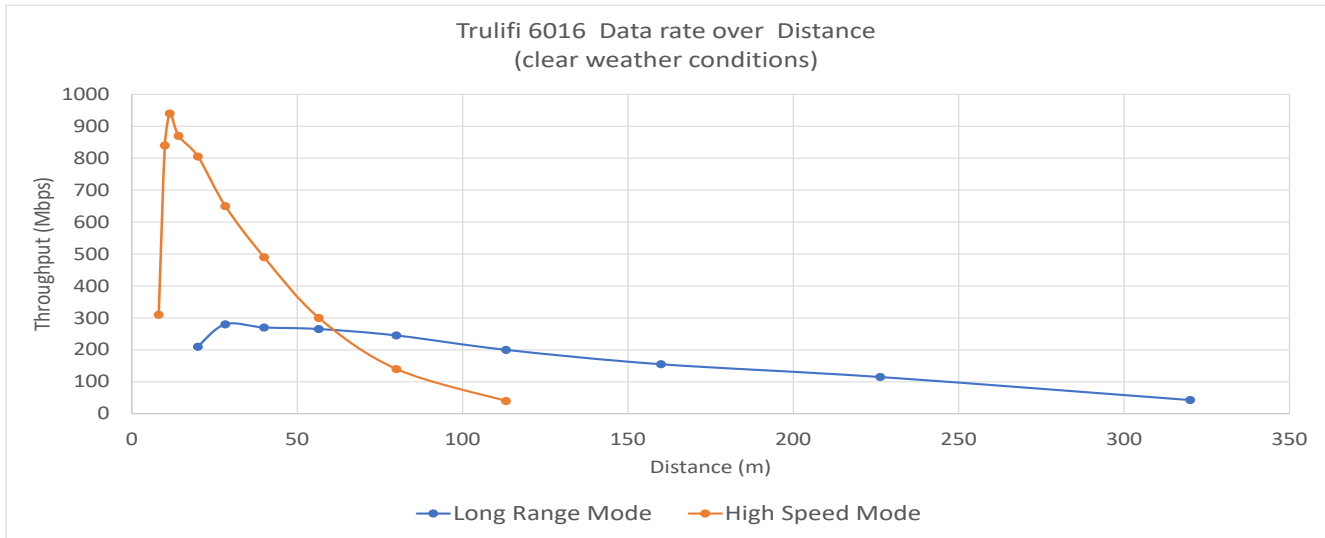


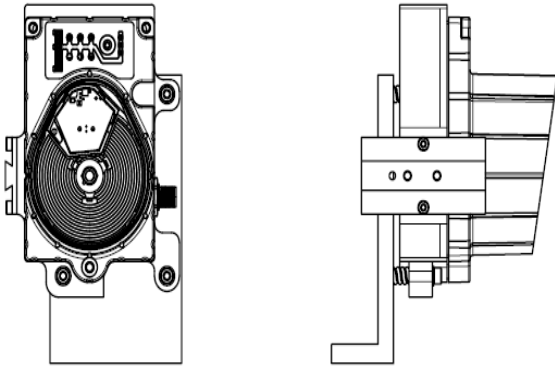
Figure 1: Data rate

The data rate depends on the alignment and distance between the Access Point and End Point, as depicted in Fig 1. The Trulifi 6016 can support 2 modes of operation, optimizing between distance and data rate.

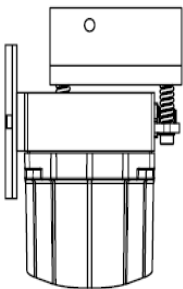
Operating distance and coverage area

Operating distance High Speed Mode	Min: 10 m Max: 110 m
Operating distance Long Range Mode	Min: 20 m Max: 300 m

Mechanical outline*



* Brackets optional - part of flight case assembly



Other System Contents - delivered in optional flight case

Flight case dimensions	(LxWxH) (150 x 48 x 27) cm, .
Pelicas weight (incl. content)	32 kg
Pelicas Content (subject to agreement)	1 set Fast Field Data Link (2pcs) 2 x Tripods, 2x PoE injector 2 x Hawke Vizor, ,
Tripod	3-Leg section Max height 180 cm
Vizor	Hawke Vantage 3-9x40 Optics 40mm Length 25,4 cm