

PHILIPS

Sensors

EasyAir

Occu ZGP sensor MC
Occu-DL ZGP sensor MC



Datasheet

EasyAir Occu ZGP sensor MC

EasyAir Occu-DL ZGP sensor MC

With Philips EasyAir wireless occupancy and multi sensors presence detection and daylight based light regulation can be added to wireless lighting systems set up with Philips MasterConnect app. The sensors are mounted stand-alone without the need of a power supply. They trigger automatic responses to turn on/of or dim the lights according to occupancy detection and daylight variation - for more energy savings and enhanced flexibility in your space!

Product Features

Occupancy Detection

- Passive Infrared (PIR) technology to detect occupancy accurately.
- Adjustable sensitivity. Minimum false trigger.
- 40 sqm Field-of-View at typical mounting height.

Daylight Sensing

- High accuracy of ambient light measurement from 1-2000 LUX
- Closed loop daylight regulation
- Daylight fast report for calibration

Installation

- Battery-powered, no mains wire required.
- Quick and easy mounting with tapes or screws.
- Walk test mode available for optimal detection.
- Indoor use only.

Environment

- No Mercury.
- Low Carbon Footprint.

Connectivity

- 2.4GHz mesh networking technology.
- Reliable and secure wireless communication, nominal range 15m.
- Easy commissioning.

Control Functionality

- Automatic light control based on occupancy detection and daylight sensing.
- Adjustable sensor parameters for personalized lighting behaviors.

Reliability

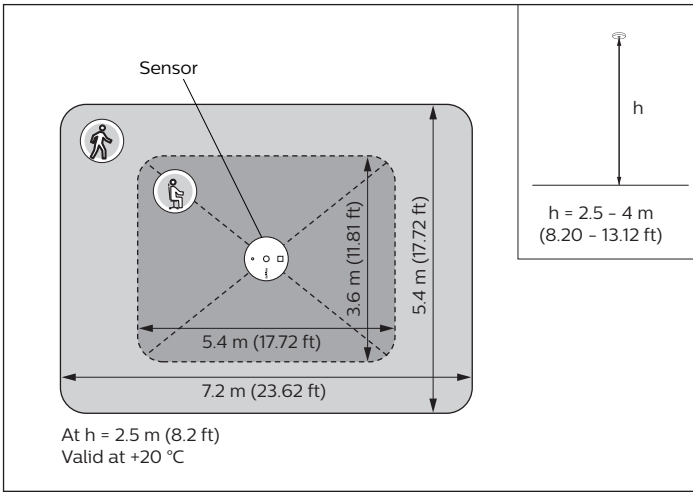
- Reliable operation between -5°C and +45°C ambient temperature.
- Battery lifetime above 8 years. Minimum maintenance. ^[1]
- IP42 (IEC standard 60529)

[1]: As calculated in typical conference room application.

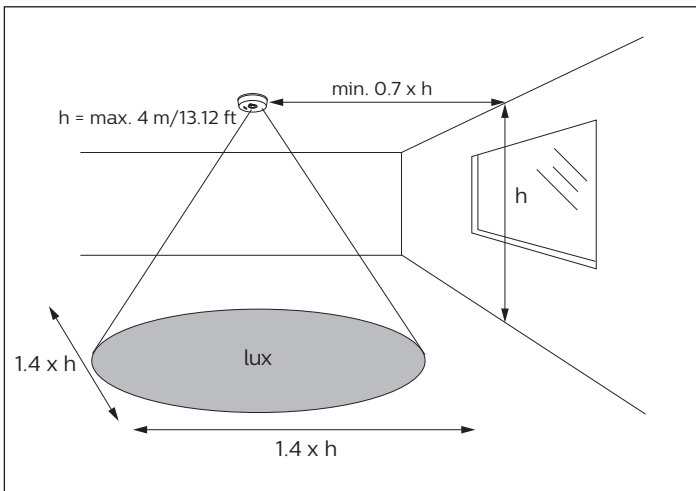
Field-of-View

- Field-of-view (FOV) for motion detection is determined at typical height ($h=2.5\text{m}$) for major and minor motion with NEMA tests, respectively. Daylight FOV is for multi sensor only.

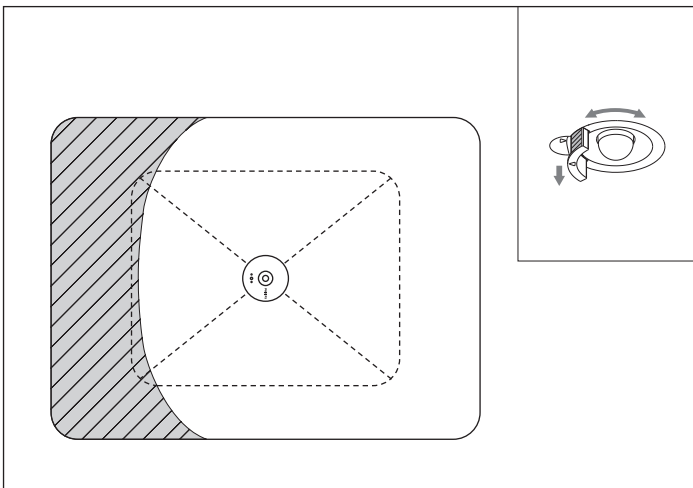
Motion FOV



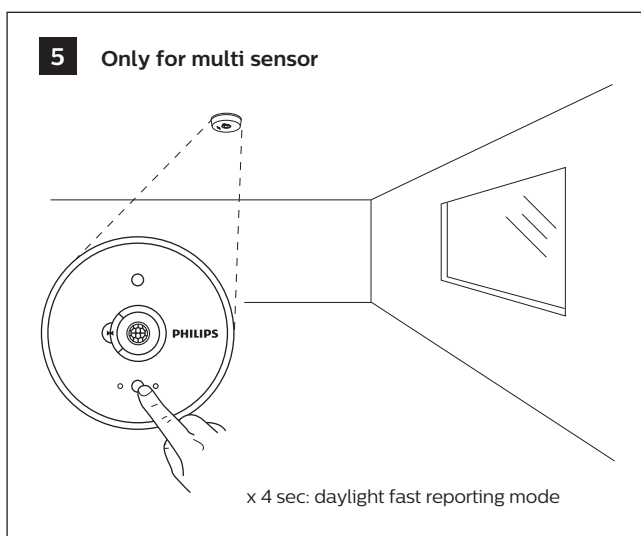
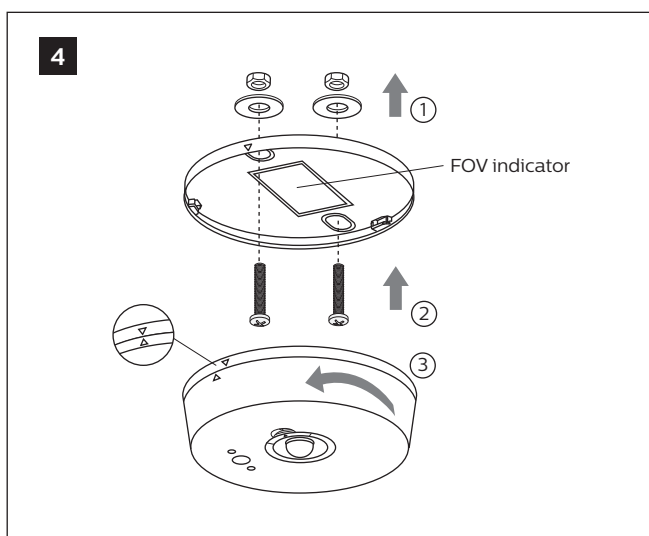
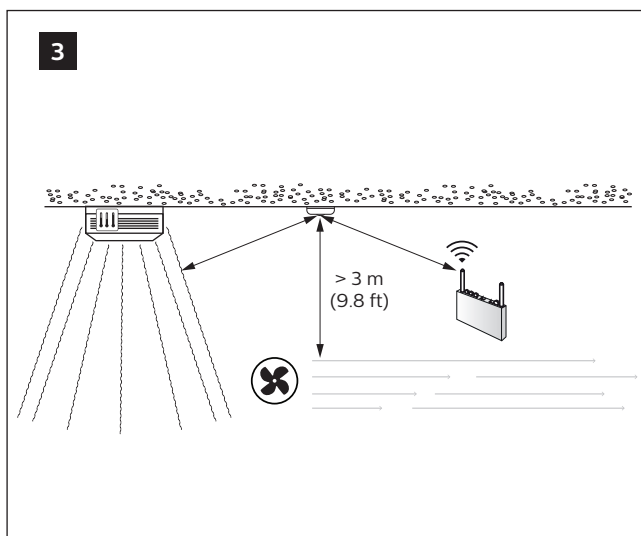
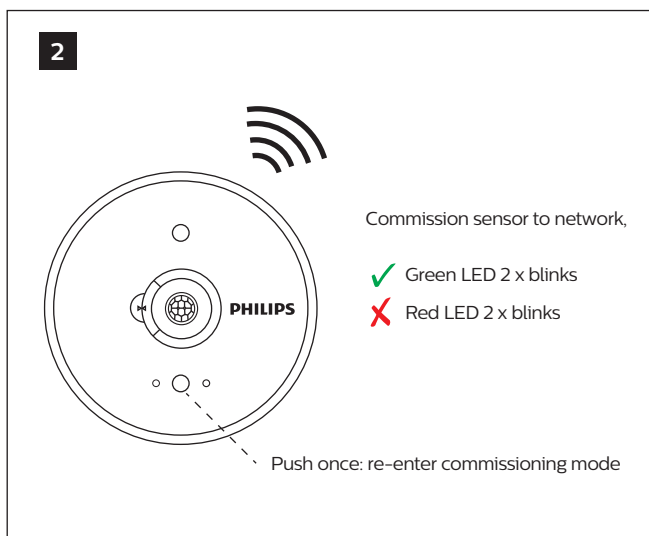
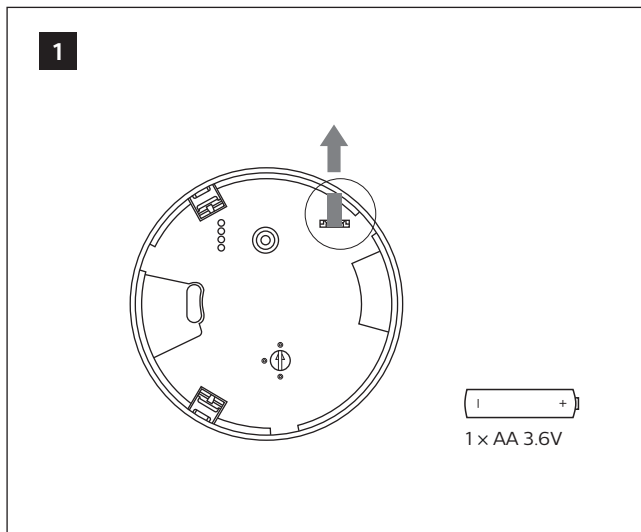
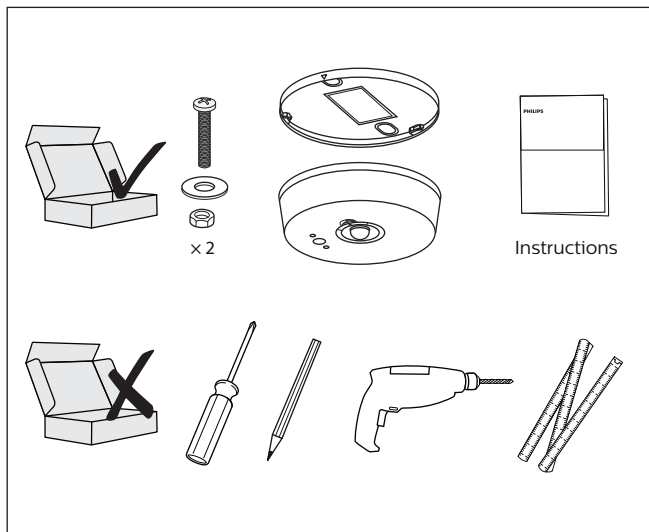
Daylight FOV



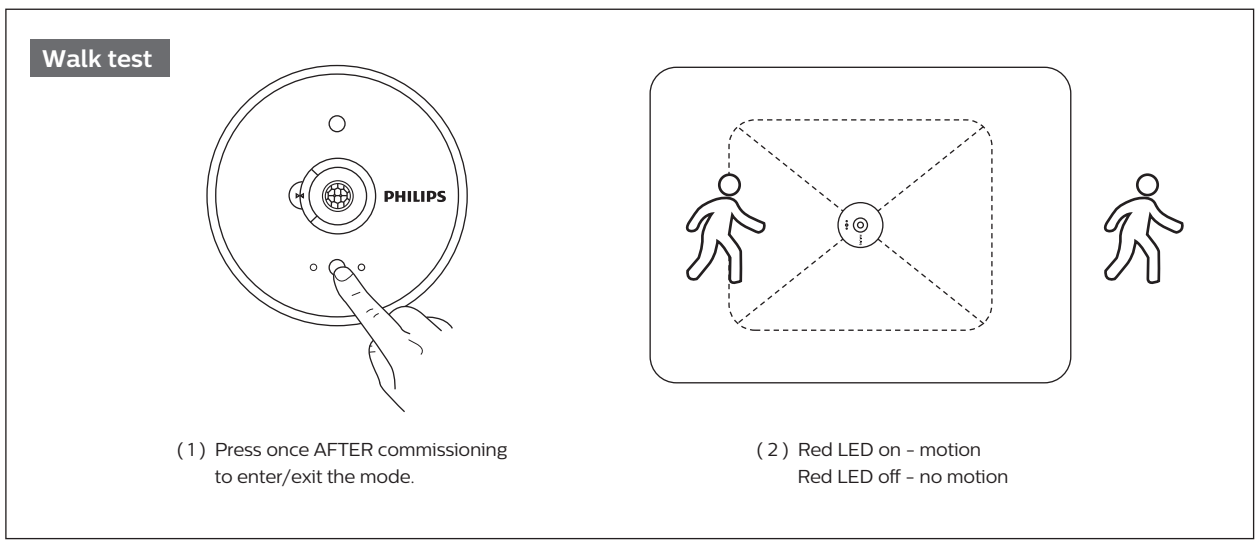
- Motion FOV can be reduced using the plastic shield around the lens.



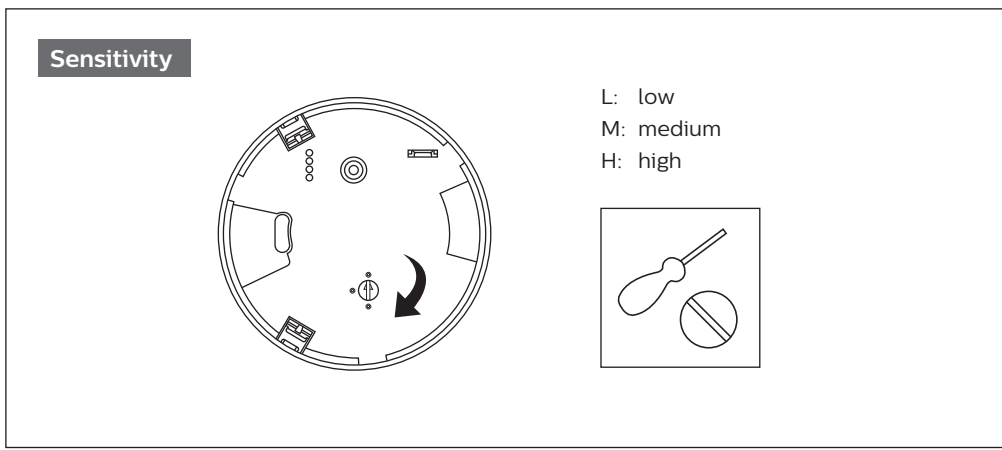
Installation Instructions



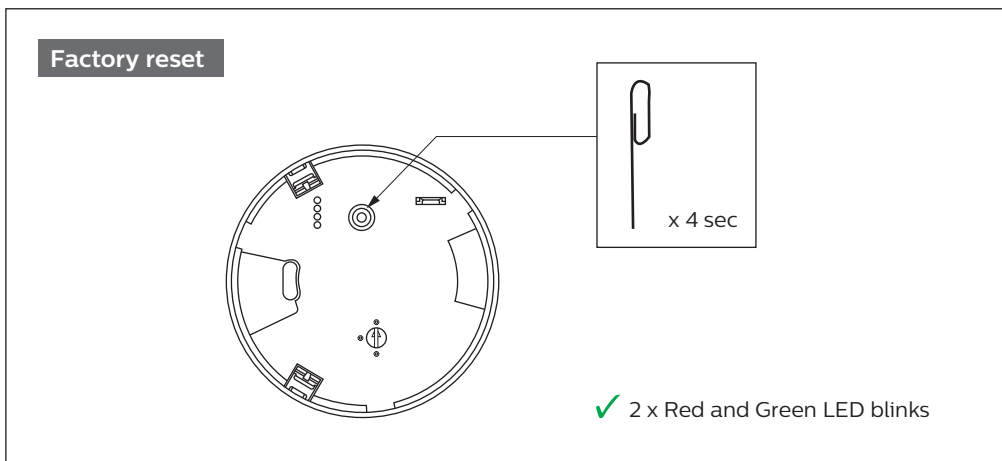
- A walk test will help to determine the optimal location to place the sensor by quickly testing the occupancy detection coverage. It's ONLY possible after sensor has been commissioned.



- If needed, the sensitivity for motion detection can be adjusted with the dial at the back. Three sensitivity levels are available from Low, Medium to High (High as default).



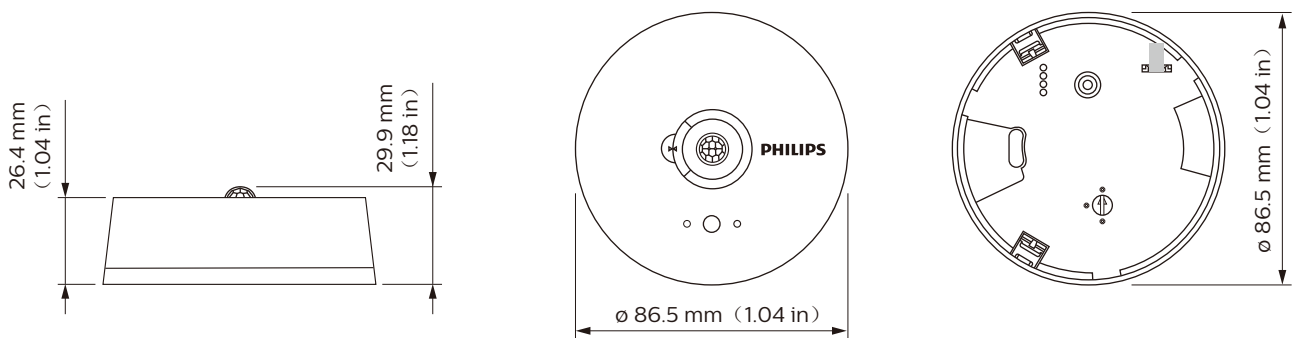
- Performing factory reset will restore sensor to un-commissioned status. Sensor will be removed from current network (if any).



LED indicator

| LED pattern | |
|------------------------------|------------------------------------|
| Green LED blinks every 10s | Ready for commissioning |
| Green LED blinks every 2s | Commissioning in progress |
| Green LED flash × 2 | Commissioning successful |
| Red LED flash × 2 | Commissioning failure |
| Green and Red LEDs flash × 2 | Successful factory reset |
| Red LED flash × 1 | Motion detected in walk test mode |
| Green LED flash × 6 | Occupancy detected |
| Red LED flash × 3 | Occupancy detected and battery low |

Dimensions



Temperature

| | | | |
|-----------------------|------------------------|-----------|-----------|
| Operating temperature | T _{operating} | min -5°C | max +45°C |
| Storage temperature | T _{storage} | min -25°C | max +65°C |

Technical Specs and Order Information

| Product number | Product Description | Type | Mounting height | FOV at h=2.5m | Battery lifetime | RF range open-air | Daylight level |
|----------------|------------------------------|---|-----------------|---------------|------------------|-------------------|----------------|
| | | | (m) | (sqm) | (yr) | (m) | (lux) |
| 929002146006 | EasyAir Occ ZGP Sensor MC | Occupancy, ceiling mounted | <=4 | 40 | >8 | 15 | -- |
| 929002146106 | EasyAir Occ DL ZGP Sensor MC | Occupancy and daylight, ceiling mounted | <=4 | 40 | >8 | 15 | 1-2000 |

Approbation & Certificates

Philips wireless occupancy sensor and multi sensor follow applicable legislation and standard. The product complies with **CE**.



Application Notes

- Product is battery operated. Use only the specified battery type (3.6V AA). Misuse of battery may cause risk of fire or damage the device.
- Designed for indoor use only. DO NOT use in applications with high levels of condensation.
- Reliable operation between -5 °C to +45 °C ambient temperature.
- Modifications to the product void the limited warranty.
- You are required to read and understand the Quick Installation Guide and all warnings, cautions and other materials related to installation before commencing installation work.

Disclaimer

©2022 Signify Holding B.V. All rights reserved.

Note that the information provided in this document is subject to change.

This document is not an official testing certificate and cannot be used or construed as a document authorizing or otherwise supporting an official release of a luminaire. The user of this document remains at all times liable and responsible for any and all required testing and approbation prior to the manufacture and sale of any luminaire.

The recommendations and other advice contained in this document, are provided solely for informational purposes for internal evaluation by the user of this document. Signify does not make and hereby expressly disclaims any warranties or assurances whatsoever as to the accuracy, completeness, reliability, content and/or quality of any recommendations and other advice contained in this document, whether express or implied including, without limitation, any warranties of satisfactory quality, fitness for a particular purpose or non-infringement. Signify has not investigated, and is under no obligation or duty to investigate, whether the recommendations and other advice contained in this document are, or may be, in conflict with existing patents or any other intellectual property rights. The recommendations and other advice contained herein are provided by Signify on an “as is” basis, at the user’s sole risk and expense.

Specifically mentioned products, materials and/or tools from third parties are only indicative and reference to these products, materials and/or tools does not necessarily mean they are endorsed by Signify. Signify gives no warranties regarding these and assumes no legal liability or responsibility for any loss or damage resulting from the use of the information thereto given here.



© 2022 Signify Holding. All rights reserved. The information provided herein is subject to change, without notice. Signify does not give any representation or warranty as to the accuracy or completeness of the information included herein and shall not be liable for any action in reliance thereon. The information presented in this document is not intended as any commercial offer and does not form part of any quotation or contract, unless otherwise agreed by Signify.

www.lighting.philips.co.uk/oem-emea/products/connected-lighting

Philips and the Philips Shield Emblem are registered trademarks of Koninklijke Philips N.V. All other trademarks are owned by Signify Holding or their respective owners.

04/2022
Data subject to change