

SyncLine's slim design rivals that of high-end LED luminaires with performance that's in sync with your budget. SyncLine offers premium quality of light with AccuRender high efficacy CRI 90+. Options include Interact, AccuRender Tunable White and new BioUp high melanopic tunable technology to enhance your daily life.

SyncLine includes AccuRender technology for the highest color quality at the highest efficacy.

Project: _____
 Location: _____
 Cat.No: _____
 Type: _____
 Line ID: _____ Qty: _____
 Notes: _____

Ordering guide ¹¹

example: SL16L9353050AN08DEGNNNW, A1-24

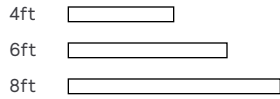
Family	Version ¹⁰	Distribution	Source	CRI/CCT ^{1,5}	
SL			L		
SL SyncLine	0 Suspended - one light engine	1 Direct 3 Indirect 6 Direct / Indirect	L LED	950 CRI 90, 5000K 940 CRI 90, 4000K 935 CRI 90, 3500K	930 CRI 90, 3000K 927 CRI 90, 2700K 922 CRI 90, 2700-6500K 2ch Tunable White (confirm controls) BIO CRI 80+, 2700-5000K 2ch BioUp (confirm controls)
	1 Suspended - two light engines	6 Direct / Indirect			
Lumens ¹		Optics		Run Length	
One light engine ¹⁰	Total fixture lumens	NN D/I lumens determined by optics	AJ Acrylic Diffuser (100% Down, Max 4000lm/4ft) NA Dust Cover (100% Up, Max 7000lm/4ft) NB Open - No Dust Cover (100% Up, Max 7000lm/4ft) AA Acrylic Diffuser/Dust Cover (30% Down/70% Up) AB Acrylic Diffuser/Open - No Dust Cover (20% Down/80% Up) AD Acrylic Diffuser/Dust Cover (50% Down/50% Up) AE Acrylic Diffuser/Open - No Dust Cover (40% Down/60% Up) AG Acrylic Diffuser/Dust Cover (80% Down/20% Up, Max 5000lm/4ft)	04 4ft 06 6ft 08 8ft XX Continuous run in 2ft increments > 4ft (please specify)	
	40 8000 lm/4ft 70 7000 lm/4ft 60 6000 lm/4ft 50 5000 lm/4ft 40 4000 lm/4ft 30 3000 lm/4ft 20 2000 lm/4ft				
Two light engines ¹⁰	Lumens (Direct)	Lumens (Indirect)	AN Acrylic Diffuser Down/Freeform lens up		
	40 4000 lm/4ft 35 3500 lm/4ft 30 3000 lm/4ft 25 2500 lm/4ft 20 2000 lm/4ft 15 1500 lm/4ft 10 1000 lm/4ft	70 7000 lm/4ft 60 6000 lm/4ft 50 5000 lm/4ft 40 4000 lm/4ft 30 3000 lm/4ft 20 2000 lm/4ft 10 1000 lm/4ft	D/I ratio determined by lumen packages		
Voltage ³	Driver ^{3,7}	Circuit ^{2,8,10}	Wiring Option ^{2,3,6,8,12}	System/Controls ^{4,7,9}	
D UNV 120-277V 3 347V	X Advance 0-10V (10% Dim) E Advance Xitanium 0-10V (1% Dim)	1 Single Circuit V Single Circuit + 1 Thru Wire (BP Trigger) F Single Circuit + 4 Thru Wires (Mains & Dimming) G Dual Circuit (Up/Dn) W Dual Circuit (Up/Dn) + 1 Thru Wire (BP Trigger)	N None B Battery Pack E Auxiliary Wiring G GTD (please specify voltage)	NN None	
D UNV 120-277V	D Advance Xitanium DALI-2 (5% Dim) H Lutron EcoSystem LDE1 (<1% Dim, Fade-to-Black)			NN None CS Interact wireless sensor with integral daylight & occupancy sensing, advanced grouping with dwell time SB Interact wireless sensor with occupancy, daylight, and environmental sensing capabilities	
D UNV 120-277V	S Advance Xitanium Sensor Ready (1% Dim)	1 Single Circuit V Single Circuit + 1 Thru Wire (BP Trigger)	N None B Battery Pack R UL924 Sensor Bypass Relay	NN None CS Interact wireless sensor with integral daylight & occupancy sensing, advanced grouping with dwell time	
D UNV 120-277V	F Advance FlexTune Sensor Ready (1% Dim) 2 0-10V 2ch (1% Dim) 6 DALI-2 DT6 2ch (1% Dim) 8 DALI-2 DT8 2ch (1% Dim)	1 Single Circuit V Single Circuit + 1 Thru Wire (BP Trigger)	N None	NN None CS Interact wireless sensor with integral daylight & occupancy sensing, advanced grouping with dwell time	
Finish	Option	Mount Type	Suspension		
W Standard White B Black T Titanium Silver C Custom	N None V Variable Mount Housing	A1 Non-accessible ceiling, 0'-15' slope mount A2 T-Grid, fixed position mount A3 Non-accessible ceiling, 0'-90' slope mount A5 T-Grid 24" span mount (non regular tile only)	A6-1 T-Grid on-grid mount 15/16" (non regular tile only) A6-2 T-Grid on-grid mount 9/16" (non regular tile only) A6-3 T-Grid on-grid mount 9/16" x 5/16" (slot tee & regular tile)	24 24" 48 48" 96 96"	144 144" 192 192" 240 240"

SyncLine suspended

Options and dimensions

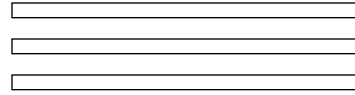
Standalone

Keep it simple with standalone modules, available in 3 standard lengths (consult Ledalite for custom lengths).



Continuous run

Create continuous runs in 2ft increments with 4, 6 & 8ft modules.

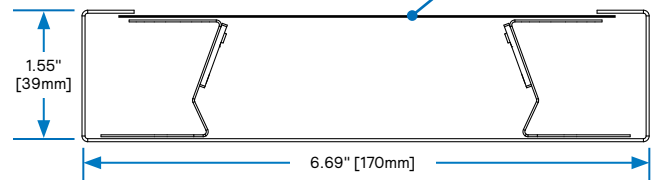


Optical configurations

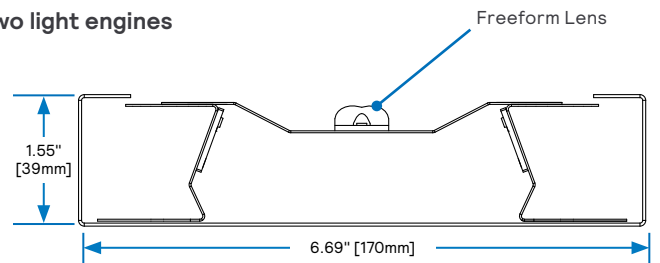
SyncLine is available with one or two light engines for combined or independent Direct/Indirect control.



One light engine



Two light engines



Finish options



White (W)



Titanium Silver (T)



Black (B)



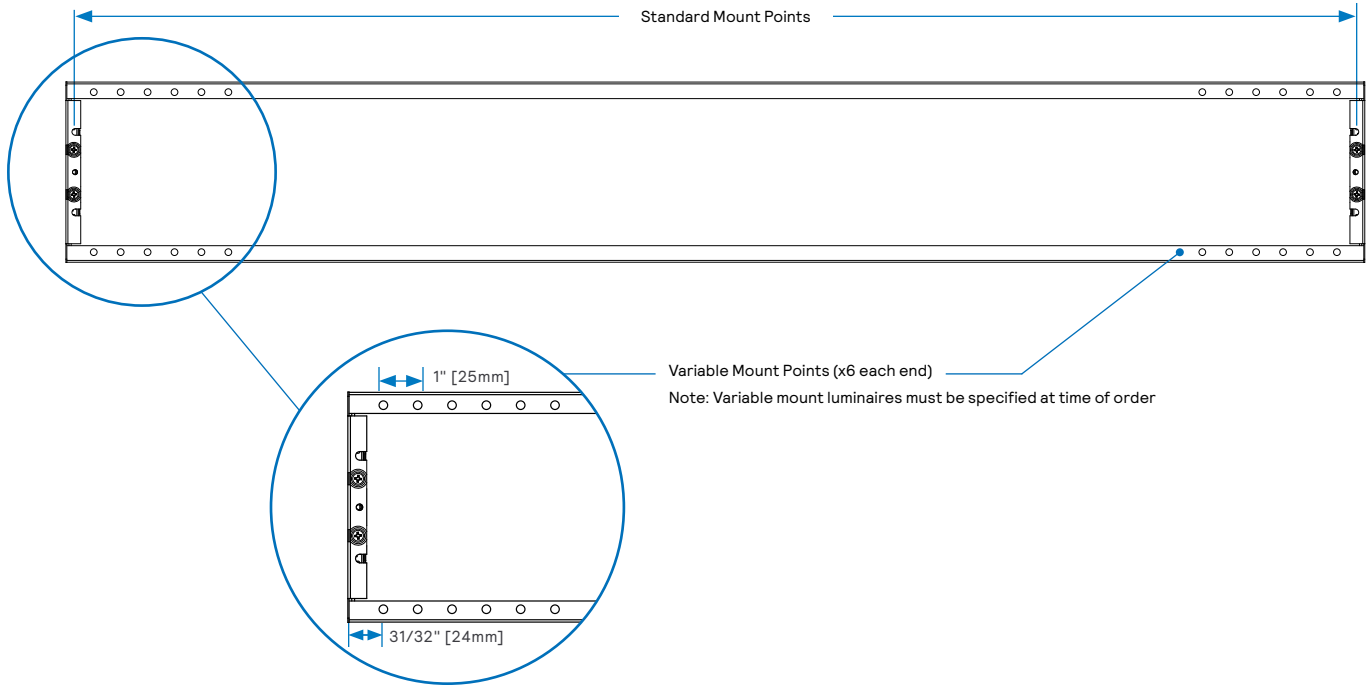
Custom (C)

SyncLine suspended

Options and dimensions

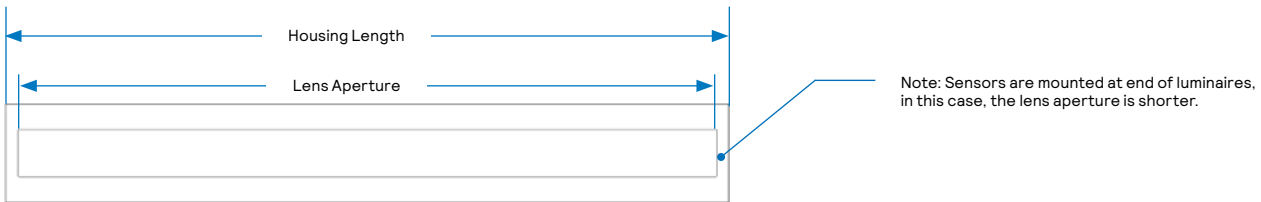
Top View

Variable Mount Option

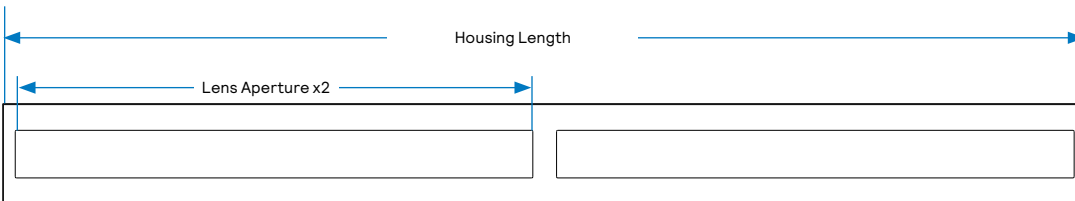


Bottom View

4ft Single Window



6ft & 8ft Dual Windows



Nominal	Housing Length	Lens Aperture	Standard Mounting Points	Endcap Thickness
4ft	48.18" [1224mm]	46.5" [1180mm]	47.7" [1210mm]	0.04" [1mm]
6ft	72.0" [1829mm]	34.3" [872mm] each	71.5" [1815mm]	0.04" [1mm]
8ft	96.0" [2438mm]	46.3" [1177mm] each	95.5" [2425mm]	0.04" [1mm]

SyncLine suspended

Specifications

Optical System

One Light Engine: Lateral-facing LED arrays deliver light into both the upper and lower hemispheres, giving a highly efficient wide, homogeneous upper batwing distribution and a lower lambertian distribution.

Five distributions are available from fully Direct to fully Indirect with three Direct/Indirect ratios in between.

Two Light Engines: Lateral-facing and upward facing LED arrays are designed into separate chambers and allow a multitude of direct/indirect lumen package combinations for the ultimate in distribution control.

An optional dust cover is available in both one and two light engine models.

Housing

Precision die-formed, 20 gauge cold-rolled steel housing.

Endcaps

Flat, die-formed, 20 gauge cold-rolled steel endcaps.

Finish

Housing and endcaps are coated with a high quality electrostatically applied, thermally cured polyester powder coat finish. Available in standard Matte White, Black or Titanium Silver. SyncLine can also be specified in any custom color upon request for a one-time setup charge. Optional sensors default color is white. Fixtures with black finish have black sensors (consult factory for other combinations).

Mounting

Suspended: Rapid installation sling mount at joints and ends. High strength aircraft cable and tamper-resistant gripper provide unlimited vertical adjustment and are independently tested to stringent safety standards. An optional variable mount housing is available giving 6" of linear mounting variability in 1" increments at each end of the luminaire, to clear ceiling obstructions during installation.

Joints

Self-aligning joining system with hands-free pre-joining wire access.

Weight

Maximum 2.6 lbs/ft.

Electrical

Fixtures are factory pre-wired to section ends with quick-wire connectors and tested for all circuits and backup battery packs. LED boards, drivers, sensors and battery packs are easily field replaceable with access from below the ceiling.

Power drops can be specified in white, black or clear cord options.

Standard Drivers

Advance 0-10V, 10% Dimming.
Advance Xitanium 0-10V, 1% Dimming.
Advance Xitanium DALI-2, 5% Dimming.
Advance Xitanium Sensor Ready, 1% Dimming.
Lutron EcoSystem LDE1, 1% Dimming with Soft-On and Fade-to-Black.

2ch Tunable Drivers

Advance FlexTune Sensor Ready, 1% Dimming.
0-10V, 1% Dimming.
DALI-2 DT6 or DT8, 1% Dimming.

Class 2 rated output. Consult Ledalite for other available drivers.

Standard Battery Packs

Bodine Battery Pack, 90 min, 10W, Class 2 rated output.
Lumen output = 10W x luminaire efficacy x 1.1 Typical output ~1300lm.

Lumen Maintenance

LEDs have been tested by the manufacturer in accordance with IESNA LM-80-15. At an ambient temperature of 25°C, the LED lumen maintenance expectation according to IES TM-21-11 is:

L_{80} (10k) > 60,000 hours (Reported methodology).

Source Color

LEDs rated for color rendering of:
 $CRI R_a \geq 90$, $R_g \geq 50$, $G_a \geq 97$, $C_g \geq 90$
IES TM-30-18 : $R_f \geq 90$, $R_{f,hl} \geq 89$, $R_g \geq 99$, $R_{cs,hl} \geq -5\%$

SPD data available upon request

Fixture to fixture color accuracy within:
3 SDCM for Static White & Tunable White luminaires

Approvals

Certified to UL, IES & CSA Standards.

Select SyncLine configurations contribute toward satisfying features L02, L03, L04, L07, L08, and L09 under the WELL v2 Building Standard®.

Environment

Rated for dry or damp locations in operating ambient temperatures of 0-25°C (32-77°F).

Many luminaire components, such as reflectors, refractors, lenses, and LEDs are made from various types of plastics which can be adversely affected by airborne contaminants. If sulfur-based chemicals, petroleum-based products, cleaning solutions, or other contaminants are expected in the intended area of use, consult factory for compatibility. Damage caused by sulfur, chlorine, petroleum-based solution or other contaminants are not covered under warranty. Not suitable for natatorium environments.

Warranty

Five-year luminaire limited warranty including LED boards and driver:
www.signify.com/warranties

QuickShip

10-day QuickShip available for most configurations upon request. More information available at:
www.signify.com/en-us/brands/ledalite/quickship

SyncLine suspended

Wireless Controls Options

Interact sensor for Foundation, Advanced & Enterprise tiers (CS):

- CS is a connected sensor with integral occupancy and daylight sensing and supports wireless mesh connectivity.
- The sensor works in the Foundation mode when configured without a gateway or in an Interact Advanced or Enterprise mode if a compatible gateway is used.
- Interact includes an App, a portal and a broad portfolio of wireless luminaires, lamps and retrofit kits all working on the same system.
- Startup is implemented via Interact App (Android or iPhone) & Bluetooth connectivity. The App provides flexibility to choose between a gateway or non gateway mode for setup.
- Setup with the gateway requires wired internet access to the gateway. It is possible to add a gateway at a later point.
- Prepare project configuration steps remotely and use IRT9015 remote onsite to identify and group devices together.
- Compatible with UID8451/10 wireless dimmer switch, SWS200 wireless scene switch, wireless Occ sensor (OCC SENSOR IA CM IP42 WH 10/1) and wireless Day/Occ sensor (OCC MULTI SENSOR IA CM WH 10/1).
- For more information on Interact visit:
www.interact-lighting.com/interactproscalablesystem

Emergency Options (R):

- Power Sensing (Factory default) – Recommended
- UL924 option requires unswitched power sense line, absence of voltage on the normal circuit triggers luminaire to 100% output.
- Power Interruption Detection (Field option)
- Detects AC power interruption >30ms triggers 90 minute emergency mode with luminaire at 100% output.

Interact sensor bundles for Enterprise tier (SB):

- SB option, in addition to occupancy and daylight sensing, supports advanced IoT capabilities such as people estimation analysis, desk level temperature & humidity sensing, noise classification, and BLE beacon.
- Compatible with UID8451/10 wireless dimmer switch, SWS200 wireless scene switch, wireless Occ sensor (OCC SENSOR IA CM IP42 WH 10/1) and wireless Day/Occ sensor (OCC MULTI SENSOR IA CM WH 10/1).
- Use Interact software and insights to increase building efficiency, achieve building wide integration and optimize space through occupancy analytics.
- Requires compatible Gateway and internet connectivity for commissioning. For more information, visit:
www.interact-lighting.com/office

Wired Controls Options

Tunable White & BioUp:

- Tunable White & BioUp options are available with Interact Pro wireless or with 2ch 0-10V or DALI-2 (DT6 or DT8) wired drivers. Please enquire about options such as Lutron T Series or DMX control (extended lead times may apply).
- Signify tunable white solutions are designed to help maximize the influence of lighting on your daily life.
- Dynamic behaviors via scheduled lighting recipes mimicking daylight patterns or supporting biorhythms.
- Scene setting via lighting pre-sets based on various combinations of lighting color temperature and intensity.

Interact Pro scalable sensor option codes across Genlyte product lines

	Evokit	Day-Brite	Ledalite	Lightolier
Zigbee + Bluetooth + Sensing	SWZCS	SWZCS	CS	SBA accessory (external)
Zigbee + Bluetooth	RADIO	RADIO	RA	RA
Zigbee + Bluetooth + Sensing + Environmental data	IAOSB	IAOSB	SB	SB
Zigbee + Highbay + Sensing	-	SWZCSH	-	-

SyncLine suspended

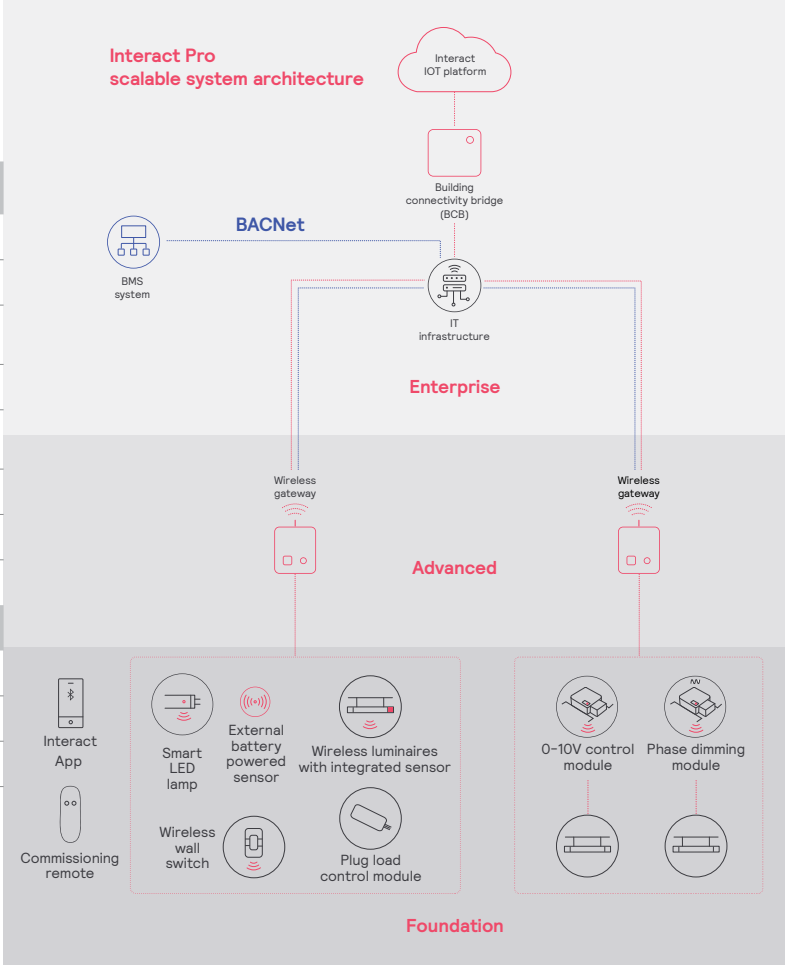
Functionalities overview

		Interact Pro scalable system		
		Foundation	Advanced	Enterprise
	Dimming, grouping, and zoning	✓	✓	✓
	Bluetooth and ZigBee enabled	✓	✓	✓
	Motion sensing and daylight harvesting	✓	✓	✓
	Integration with 0-10V and phase dimming fixtures	✓	✓	✓
	Code compliance	✓	✓	✓
	Granular dimming and dwell time	✓	✓	✓
New	Correlated color temperature (CCT) tuning by switch	✓	✓	✓
New	Support for sensor-based Tunable White luminaires	✓	✓	✓
	Energy reporting and monitoring		✓	✓
	Scheduling		✓	✓
	Demand response		✓	✓
	BMS integration (BACnet)			✓
	Floor plan visualization			✓
	IoT sensors for wellness			✓
	IoT Apps for productivity			✓

Currently supported maximum system size

To be able to design the lighting system correctly for the customer, it is important to know the prime characteristics of the system, its possibilities and limitations.

System level	
Total number of gateways	Unlimited
Total number of devices	200 per network
• luminaires with integrated sensors	150
• smart TLEDS	150
Total number of ZGP devices (sensors and switches)	50
• sensors	30
• switches	50
• zones and groups	64
Group level	
Recommended number of lights	40 (recommended 25)
Number of ZGP devices	5
Number of scenes	16



SyncLine suspended

Colorimetry

SyncLine (SLxx) BioUp

Nominal CRI & CCT		CRI 90+, 2700K	CRI 90+, 3000K	CRI 80+, 3500K	CRI 80+, 4000K	CRI 80+, 5000K
CIE 013.3-1995 ¹	CRI R _a	94	91	88	86	82
	R _g	62	70	75	76	70
	G _a	100	98	97	95	92
	C _g	94	95	96	96	95
IES TM-30-18 ²	R _f	92	90	87	84	82
	R _{f,h1}	91	90	88	86	83
	R _g	101	98	96	94	92
	R _{cs,h1}	-5%	-5%	-5%	-5%	-6%
MDER ³		0.44	0.59	0.72	0.82	0.97

SyncLine (SLxx) AccuRender Tunable White

Nominal CRI & CCT		CRI 90+, 2700K	CRI 90+, 3000K	CRI 90+, 3500K	CRI 90+, 4000K	CRI 90+, 5000K	CRI 90+, 6500K
CIE 013.3-1995 ¹	CRI R _a	94	94	95	95	92	92
	R _g	54	63	72	76	75	62
	G _a	98	100	100	100	98	95
	C _g	92	94	95	96	95	92
IES TM-30-18 ²	R _f	92	92	91	91	90	87
	R _{f,h1}	90	91	91	91	89	85
	R _g	99	100	100	99	99	96
	R _{cs,h1}	-6%	-5%	-4%	-4%	-5%	-6%
MDER ³		0.45	0.53	0.63	0.71	0.83	0.97

SyncLine (SLxx) AccuRender Static White

Nominal CRI & CCT		CRI 90+, 2700K	CRI 90+, 3000K	CRI 90+, 3500K	CRI 90+, 4000K	CRI 90+, 5000K
CIE 013.3-1995 ¹	CRI R _a	94	93	93	93	93
	R _g	55	57	59	64	68
	G _a	99	99	99	99	99
	C _g	93	93	93	93	94
IES TM-30-18 ²	R _f	92	91	91	91	90
	R _{f,h1}	90	90	90	91	89
	R _g	100	100	99	100	100
	R _{cs,h1}	-6%	-5%	-6%	-5%	-5%
MDER ³		0.45	0.51	0.58	0.65	0.81

1. Color Rendering Index (CRI Ra) and Strong Red (R9) are calculated in accordance with CIE 013.3-1995. Color Gamut index (Ga) and red chroma Index (C9) are CIE based properties using the Global Lighting Association's calculation tool.

2. Fidelity Index (Rf), Red Fidelity Index (Rf,h1), Gamut Index (Rg), and Red Local Chroma Shift (Rcs,h1) are calculated in accordance with IES TM-30-18.

3. Melanopic Daylight Efficacy Ratio (MDER) is the measure for "spectral melanopic efficiency" as defined in CIE S 026-2018.

SyncLine suspended

Photometry

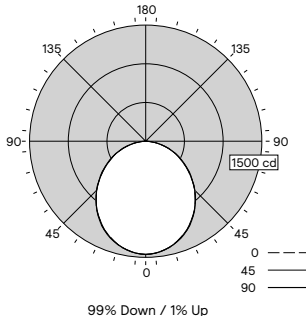
Direct (SL01) One Light Engine - AJ (100% Down)

Click "PDF" or "IES" text to download

	Nominal CRI & CCT			CRI 90+, 2700K					CRI 90+, 3000K					CRI 90+ ⁴ , 3500K					CRI 90+ ⁴ , 4000K					CRI 90+ ⁴ , 5000K					CRI 90+, 6500K				
	Nominal Lumen Package (lm/4ft)		Watts (W) ³	Flux (lm/4ft) ¹	Efficacy (LPW) ¹	UGR ²	Photometry Report	IES File	Flux (lm/4ft) ¹	Efficacy (LPW) ¹	UGR ²	Photometry Report	IES File	Flux (lm/4ft) ¹	Efficacy (LPW) ¹	UGR ²	Photometry Report	IES File	Flux (lm/4ft) ¹	Efficacy (LPW) ¹	UGR ²	Photometry Report	IES File	Flux (lm/4ft) ¹	Efficacy (LPW) ¹	UGR ²	Photometry Report	IES File	Flux (lm/4ft) ¹	Efficacy (LPW) ¹	UGR ²	Photometry Report	IES File
BioUp	4000	100% DN	39.1	4,001	105.8	25.3	PDF	IES	4,001	103.9	25.3	PDF	IES	4,001	102.3	25.3	PDF	IES	4,001	101.1	25.3	PDF	IES	4,001	99.4	25.3	PDF	IES	-	-	-	-	-
	3000	100% DN	28.4	3,001	108.7	24.3	PDF	IES	3,001	107.2	24.3	PDF	IES	3,001	105.7	24.3	PDF	IES	3,001	104.6	24.3	PDF	IES	3,001	103.0	24.3	PDF	IES	-	-	-	-	-
Tunable White	4000	100% DN	37.6	3,999	103.3	25.3	PDF	IES	3,999	104.7	25.3	PDF	IES	3,999	106.4	25.3	PDF	IES	3,999	107.8	25.3	PDF	IES	3,999	110.0	25.3	PDF	IES	3,999	112.6	25.3	PDF	IES
	3000	100% DN	27.9	3,000	104.9	24.3	PDF	IES	3,000	106.0	24.3	PDF	IES	3,000	107.7	24.3	PDF	IES	3,000	109.0	24.3	PDF	IES	3,000	111.2	24.3	PDF	IES	3,000	113.7	24.3	PDF	IES
Static White	4000	100% DN	36.1	3,692	102.3	25.0	PDF	IES	3,832	106.1	25.2	PDF	IES	3,995	110.7	25.3	PDF	IES	4,003	110.9	25.3	PDF	IES	4,185	115.9	25.5	PDF	IES	-	-	-	-	-
	3000	100% DN	27.3	2,766	101.3	24.0	PDF	IES	2,870	105.1	24.2	PDF	IES	2,992	109.6	24.3	PDF	IES	2,993	109.6	24.3	PDF	IES	3,139	115.0	24.5	PDF	IES	-	-	-	-	-
	2000	100% DN	18.4	1,847	100.4	22.6	PDF	IES	1,915	104.1	22.8	PDF	IES	1,998	108.6	22.9	PDF	IES	1,994	108.4	22.9	PDF	IES	2,099	114.1	23.1	PDF	IES	-	-	-	-	-

- 4ft Luminaire photometry has been conducted in accordance with IES LM-79-08. IES files can be downloaded by clicking the links in the table above, or online at ledalite.com. Luminaires with finishes other than standard white may result in a drop in flux and efficacy.
- Unified Glare Ratio (UGR) is calculated in accordance with CIE 117-1995. Reference conditions of 4Hx8Hx1H and reflectances of 70/50/20% have been applied using the procedure described in CIE 190-2010.
- Input power stated at 3500K. BioUp & Tunable White, stated with Advance FlexTune SR driver & Interact Pro scalable wireless sensor, data may vary with other drivers.
- BioUp delivers CRI 90+, 2700K-3000K, and CRI 80+, >3000K-5000K.

One Light Engine - AJ (100% Down)
Spacing Criteria: 1.20/1.21



Candela plots shown are for 4000lm/4ft, CRI 90, 3500K configurations.

SyncLine suspended

Photometry

Indirect (SL03) One Light Engine - NA (100% Up)

Click "PDF" or "IES" text to download

	Nominal CRI & CCT		CRI 90+, 2700K					CRI 90+, 3000K					CRI 90+, 3500K					CRI 90+, 4000K					CRI 90+, 5000K					CRI 90+, 6500K					
	Nominal Lumen Package (lm/4ft)	Watts (W) ³	Flux (lm/4ft) ¹	Efficacy (LPW) ¹	UGR ²	Photometry Report	IES File	Flux (lm/4ft) ¹	Efficacy (LPW) ¹	UGR ²	Photometry Report	IES File	Flux (lm/4ft) ¹	Efficacy (LPW) ¹	UGR ²	Photometry Report	IES File	Flux (lm/4ft) ¹	Efficacy (LPW) ¹	UGR ²	Photometry Report	IES File	Flux (lm/4ft) ¹	Efficacy (LPW) ¹	UGR ²	Photometry Report	IES File	Flux (lm/4ft) ¹	Efficacy (LPW) ¹	UGR ²	Photometry Report	IES File	
Tunable White	5000	100% UP	40.2	4,755	114.6	N/A	PDF	IES	4,755	116.2	N/A	PDF	IES	4,755	118.3	N/A	PDF	IES	4,755	120.1	N/A	PDF	IES	4,755	122.9	N/A	PDF	IES	4,755	126.2	N/A	PDF	IES
	4000	100% UP	31.1	3,806	118.9	N/A	PDF	IES	3,806	120.4	N/A	PDF	IES	3,806	122.5	N/A	PDF	IES	3,806	124.2	N/A	PDF	IES	3,806	127.0	N/A	PDF	IES	3,806	130.1	N/A	PDF	IES
Static White	7000	100% UP	55.3	6,126	110.8	N/A	PDF	IES	6,357	115.0	N/A	PDF	IES	6,656	120.4	N/A	PDF	IES	6,674	120.7	N/A	PDF	IES	6,990	126.4	N/A	PDF	IES	-	-	-	-	-
	6000	100% UP	46.3	5,259	113.6	N/A	PDF	IES	5,463	118.0	N/A	PDF	IES	5,711	123.3	N/A	PDF	IES	5,724	123.6	N/A	PDF	IES	5,997	129.5	N/A	PDF	IES	-	-	-	-	-
	5000	100% UP	38.1	4,395	115.4	N/A	PDF	IES	4,567	119.9	N/A	PDF	IES	4,765	125.1	N/A	PDF	IES	4,782	125.5	N/A	PDF	IES	5,001	131.3	N/A	PDF	IES	-	-	-	-	-
	4000	100% UP	30.2	3,518	116.5	N/A	PDF	IES	3,655	121.0	N/A	PDF	IES	3,809	126.1	N/A	PDF	IES	3,826	126.7	N/A	PDF	IES	3,995	132.3	N/A	PDF	IES	-	-	-	-	-
	3000	100% UP	23.0	2,632	114.4	N/A	PDF	IES	2,733	118.8	N/A	PDF	IES	2,848	123.8	N/A	PDF	IES	2,857	124.2	N/A	PDF	IES	2,984	129.7	N/A	PDF	IES	-	-	-	-	-
	2000	100% UP	15.4	1,764	114.5	N/A	PDF	IES	1,830	118.8	N/A	PDF	IES	1,910	124.0	N/A	PDF	IES	1,909	124.0	N/A	PDF	IES	1,999	129.8	N/A	PDF	IES	-	-	-	-	-

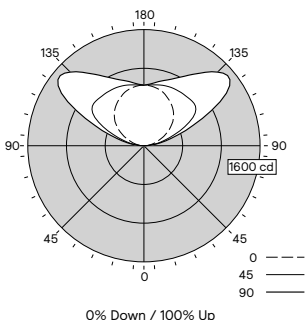
Indirect (SL03) One Light Engine - NB (100% Up)

Click "PDF" or "IES" text to download

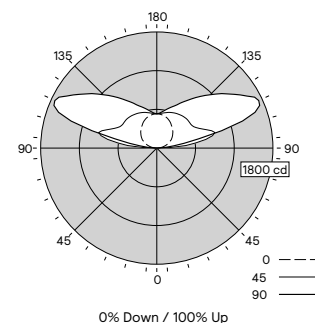
	Nominal CRI & CCT		CRI 90+, 2700K					CRI 90+, 3000K					CRI 90+, 3500K					CRI 90+, 4000K					CRI 90+, 5000K					CRI 90+, 6500K					
	Nominal Lumen Package (lm/4ft)	Watts (W) ³	Flux (lm/4ft) ¹	Efficacy (LPW) ¹	UGR ²	Photometry Report	IES File	Flux (lm/4ft) ¹	Efficacy (LPW) ¹	UGR ²	Photometry Report	IES File	Flux (lm/4ft) ¹	Efficacy (LPW) ¹	UGR ²	Photometry Report	IES File	Flux (lm/4ft) ¹	Efficacy (LPW) ¹	UGR ²	Photometry Report	IES File	Flux (lm/4ft) ¹	Efficacy (LPW) ¹	UGR ²	Photometry Report	IES File	Flux (lm/4ft) ¹	Efficacy (LPW) ¹	UGR ²	Photometry Report	IES File	
Tunable White	5000	100% UP	40.2	4,999	120.5	N/A	PDF	IES	4,999	122.2	N/A	PDF	IES	4,999	124.4	N/A	PDF	IES	4,999	126.2	N/A	PDF	IES	4,999	129.3	N/A	PDF	IES	4,999	132.7	N/A	PDF	IES
	4000	100% UP	31.1	4,001	125.0	N/A	PDF	IES	4,001	126.6	N/A	PDF	IES	4,001	128.8	N/A	PDF	IES	4,001	130.5	N/A	PDF	IES	4,001	133.5	N/A	PDF	IES	4,001	136.8	N/A	PDF	IES
Static White	7000	100% UP	55.3	6,439	116.4	N/A	PDF	IES	6,682	120.8	N/A	PDF	IES	6,997	126.5	N/A	PDF	IES	7,016	126.9	N/A	PDF	IES	7,348	132.9	N/A	PDF	IES	-	-	-	-	-
	6000	100% UP	46.3	5,529	119.4	N/A	PDF	IES	5,743	124.0	N/A	PDF	IES	6,003	129.7	N/A	PDF	IES	6,017	130.0	N/A	PDF	IES	6,304	136.2	N/A	PDF	IES	-	-	-	-	-
	5000	100% UP	38.1	4,621	121.3	N/A	PDF	IES	4,801	126.0	N/A	PDF	IES	5,009	131.5	N/A	PDF	IES	5,027	131.9	N/A	PDF	IES	5,258	138.0	N/A	PDF	IES	-	-	-	-	-
	4000	100% UP	30.2	3,699	122.5	N/A	PDF	IES	3,842	127.2	N/A	PDF	IES	4,004	132.6	N/A	PDF	IES	4,022	133.2	N/A	PDF	IES	4,199	139.0	N/A	PDF	IES	-	-	-	-	-
	3000	100% UP	23.0	2,767	120.3	N/A	PDF	IES	2,873	124.9	N/A	PDF	IES	2,993	130.1	N/A	PDF	IES	3,004	130.6	N/A	PDF	IES	3,136	136.3	N/A	PDF	IES	-	-	-	-	-
	2000	100% UP	15.4	1,855	120.5	N/A	PDF	IES	1,924	124.9	N/A	PDF	IES	2,007	130.3	N/A	PDF	IES	2,007	130.3	N/A	PDF	IES	2,101	136.4	N/A	PDF	IES	-	-	-	-	-

1. 4ft Luminaire photometry has been conducted in accordance with IES LM-79-08. IES files can be downloaded by clicking the links in the table above, or online at ledalite.com. Luminaires with finishes other than standard white may result in a drop in flux and efficacy.
2. Unified Glare Ratio (UGR) is calculated in accordance with CIE 117-1995. Reference conditions of 4Hx8Hx1H and reflectances of 70/50/20% have been applied using the procedure described in CIE 190-2010.
3. Input power stated at 3500K. BioUp & Tunable White, stated with Advance FlexTune SR driver & Interact Pro scalable wireless sensor, data may vary with other drivers.

One Light Engine - NA (100% Up)



One Light Engine - NB (100% Up)



Candela plots shown are for 4000lm/4ft, CRI 90, 3500K configurations.

SyncLine suspended

Photometry

Direct/Indirect (SL06) One Light Engine - AA (30% Down/70% Up)

Click "PDF" or "IES" text to download

Nominal CRI & CCT		CRI 90+, 2700K					CRI 90+, 3000K					CRI 90+ 4, 3500K					CRI 90+ 4, 4000K					CRI 90+ 4, 5000K					CRI 90+, 6500K					
Nominal Lumen Package (lm/4ft)		Watts (W) ³	Flux (lm/4ft) ¹	Efficacy (LPW) ¹	UGR ²	Photometry Report	IES File	Flux (lm/4ft) ¹	Efficacy (LPW) ¹	UGR ²	Photometry Report	IES File	Flux (lm/4ft) ¹	Efficacy (LPW) ¹	UGR ²	Photometry Report	IES File	Flux (lm/4ft) ¹	Efficacy (LPW) ¹	UGR ²	Photometry Report	IES File	Flux (lm/4ft) ¹	Efficacy (LPW) ¹	UGR ²	Photometry Report	IES File	Flux (lm/4ft) ¹	Efficacy (LPW) ¹	UGR ²	Photometry Report	IES File
BioUp	5000 30% DN/70% UP	39.4	5,000	131.2	16.2	PDF	IES	5,000	128.8	16.2	PDF	IES	5,000	126.8	16.2	PDF	IES	5,000	125.3	16.2	PDF	IES	5,000	123.2	16.2	PDF	IES	-	-	-	-	-
	4000 30% DN/70% UP	30.7	4,000	134.2	15.4	PDF	IES	4,000	132.2	15.4	PDF	IES	4,000	130.3	15.4	PDF	IES	4,000	128.9	15.4	PDF	IES	4,000	126.9	15.4	PDF	IES	-	-	-	-	-
Tunable White	5000 30% DN/70% UP	37.9	5,001	128.2	16.2	PDF	IES	5,001	129.8	16.2	PDF	IES	5,001	132.0	16.2	PDF	IES	5,001	133.7	16.2	PDF	IES	5,001	136.5	16.2	PDF	IES	5,001	139.6	16.2	PDF	IES
	4000 30% DN/70% UP	30.0	4,002	129.9	15.4	PDF	IES	4,002	131.2	15.4	PDF	IES	4,002	133.3	15.4	PDF	IES	4,002	135.0	15.4	PDF	IES	4,002	137.7	15.4	PDF	IES	4,002	140.8	15.4	PDF	IES
Static White	8000 30% DN/70% UP	59.0	7,386	125.2	17.5	PDF	IES	7,669	130.0	17.7	PDF	IES	7,997	135.5	17.8	PDF	IES	8,030	136.1	17.8	PDF	IES	8,375	141.9	18.0	PDF	IES	-	-	-	-	-
	7000 30% DN/70% UP	51.4	6,476	126.0	17.1	PDF	IES	6,723	130.8	17.2	PDF	IES	7,009	136.4	17.4	PDF	IES	7,035	136.9	17.4	PDF	IES	7,337	142.7	17.5	PDF	IES	-	-	-	-	-
	6000 30% DN/70% UP	43.5	5,549	127.6	16.6	PDF	IES	5,759	132.4	16.7	PDF	IES	6,004	138.0	16.8	PDF	IES	6,022	138.4	16.8	PDF	IES	6,285	144.5	17.0	PDF	IES	-	-	-	-	-
	5000 30% DN/70% UP	36.5	4,629	126.8	15.9	PDF	IES	4,804	131.6	16.1	PDF	IES	5,008	137.2	16.2	PDF	IES	5,018	137.5	16.2	PDF	IES	5,246	143.7	16.4	PDF	IES	-	-	-	-	-
	4000 30% DN/70% UP	29.3	3,696	126.1	15.1	PDF	IES	3,836	130.9	15.3	PDF	IES	3,999	136.5	15.4	PDF	IES	4,002	136.6	15.4	PDF	IES	4,194	143.1	15.6	PDF	IES	-	-	-	-	-
	3000 30% DN/70% UP	22.6	2,778	122.9	14.1	PDF	IES	2,882	127.5	14.3	PDF	IES	3,006	133.0	14.4	PDF	IES	3,003	132.9	14.4	PDF	IES	3,156	139.6	14.6	PDF	IES	-	-	-	-	-
2000 30% DN/70% UP	15.4	1,852	120.3	12.7	PDF	IES	1,919	124.6	12.9	PDF	IES	2,003	130.1	13.0	PDF	IES	1,998	129.7	13.0	PDF	IES	2,106	136.8	13.2	PDF	IES	-	-	-	-	-	

Direct/Indirect (SL06) One Light Engine - AB (20% Down/80% Up)

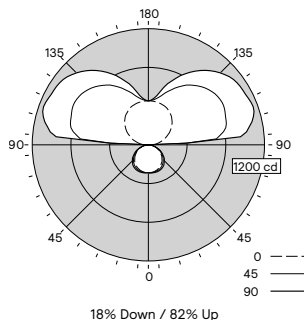
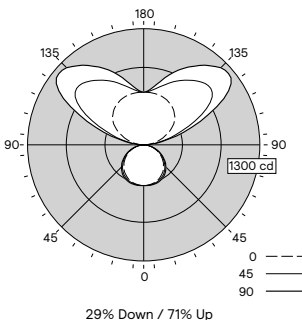
Click "PDF" or "IES" text to download

Nominal CRI & CCT		CRI 90+, 2700K					CRI 90+, 3000K					CRI 90+, 3500K					CRI 90+, 4000K					CRI 90+, 5000K										
Nominal Lumen Package (lm/4ft)		Watts (W) ³	Flux (lm/4ft) ¹	Efficacy (LPW) ¹	UGR ²	Photometry Report	IES File	Flux (lm/4ft) ¹	Efficacy (LPW) ¹	UGR ²	Photometry Report	IES File	Flux (lm/4ft) ¹	Efficacy (LPW) ¹	UGR ²	Photometry Report	IES File	Flux (lm/4ft) ¹	Efficacy (LPW) ¹	UGR ²	Photometry Report	IES File	Flux (lm/4ft) ¹	Efficacy (LPW) ¹	UGR ²	Photometry Report	IES File	Flux (lm/4ft) ¹	Efficacy (LPW) ¹	UGR ²	Photometry Report	IES File
Static White	8000 20% DN/80% UP	59.0	7,756	131.5	14.2	PDF	IES	8,052	136.5	14.3	PDF	IES	8,396	142.3	14.5	PDF	IES	8,431	142.9	14.5	PDF	IES	8,793	149.0	14.7	PDF	IES	-	-	-	-	-
	7000 20% DN/80% UP	51.4	6,800	132.3	13.8	PDF	IES	7,059	137.3	13.9	PDF	IES	7,360	143.2	14.0	PDF	IES	7,387	143.7	14.0	PDF	IES	7,704	149.9	14.2	PDF	IES	-	-	-	-	-
	6000 20% DN/80% UP	43.5	5,826	133.9	13.2	PDF	IES	6,047	139.0	13.4	PDF	IES	6,304	144.9	13.5	PDF	IES	6,323	145.4	13.5	PDF	IES	6,599	151.7	13.7	PDF	IES	-	-	-	-	-
	5000 20% DN/80% UP	36.5	4,860	133.2	12.6	PDF	IES	5,045	138.2	12.7	PDF	IES	5,259	144.1	12.9	PDF	IES	5,269	144.4	12.9	PDF	IES	5,508	150.9	13.0	PDF	IES	-	-	-	-	-
	4000 20% DN/80% UP	29.3	3,881	132.5	11.8	PDF	IES	4,028	137.5	11.9	PDF	IES	4,199	143.3	12.1	PDF	IES	4,202	143.4	12.1	PDF	IES	4,404	150.3	12.3	PDF	IES	-	-	-	-	-
	3000 20% DN/80% UP	22.6	2,917	129.1	10.8	PDF	IES	3,026	133.9	10.9	PDF	IES	3,156	139.6	11.1	PDF	IES	3,153	139.5	11.1	PDF	IES	3,314	146.6	11.3	PDF	IES	-	-	-	-	-
2000 20% DN/80% UP	15.4	1,945	126.3	9.4	PDF	IES	2,015	130.8	9.5	PDF	IES	2,103	136.6	9.7	PDF	IES	2,098	136.2	9.7	PDF	IES	2,211	143.6	9.9	PDF	IES	-	-	-	-	-	

- 4ft Luminaire photometry has been conducted in accordance with IES LM-79-08. IES files can be downloaded by clicking the links in the table above, or online at ledalite.com. Luminaires with finishes other than standard white may result in a drop in flux and efficacy.
- Unified Glare Ratio (UGR) is calculated in accordance with CIE 117-1995. Reference conditions of 4Hx8Hx1H and reflectances of 70/50/20% have been applied using the procedure described in CIE 190-2010.
- Input power stated at 3500K. BioUp & Tunable White, stated with Advance FlexTune SR driver & Interact Pro scalable wireless sensor, data may vary with other drivers.
- BioUp delivers CRI 90+, 2700K-3000K, and CRI 80+, >3000K-5000K.

One Light Engine - AA (30% Down/70% Up) Spacing Criteria: 1.28/1.38

One Light Engine - AB (20% Down/80% Up) Spacing Criteria: 1.28/1.43



Candela plots shown are for 5000lm/4ft, CRI 90, 3500K configurations.

SyncLine suspended

Photometry

Direct/Indirect (SL06) One Light Engine - AD (50% Down/50% Up)

Click "PDF" or "IES" text to download

Nominal CRI & CCT		CRI 90+, 2700K					CRI 90+, 3000K					CRI 90+ ⁴ , 3500K					CRI 90+ ⁴ , 4000K					CRI 90+ ⁴ , 5000K					CRI 90+, 6500K					
Nominal Lumen Package (lm/4ft)		Watts (W) ³	Flux (lm/4ft) ¹	Efficacy (LPW) ¹	UGR ²	Photometry Report	IES File	Flux (lm/4ft) ¹	Efficacy (LPW) ¹	UGR ²	Photometry Report	IES File	Flux (lm/4ft) ¹	Efficacy (LPW) ¹	UGR ²	Photometry Report	IES File	Flux (lm/4ft) ¹	Efficacy (LPW) ¹	UGR ²	Photometry Report	IES File	Flux (lm/4ft) ¹	Efficacy (LPW) ¹	UGR ²	Photometry Report	IES File	Flux (lm/4ft) ¹	Efficacy (LPW) ¹	UGR ²	Photometry Report	IES File
BioUp	4000 50% DN / 50% UP	31.5	3,999	131.1	19.1	PDF	IES	3,999	129.0	19.1	PDF	IES	3,999	127.1	19.1	PDF	IES	3,999	125.7	19.1	PDF	IES	3,999	123.7	19.1	PDF	IES	-	-	-	-	-
	3000 50% DN / 50% UP	23.1	2,998	133.2	18.1	PDF	IES	2,998	131.3	18.1	PDF	IES	2,998	129.7	18.1	PDF	IES	2,998	128.4	18.1	PDF	IES	2,998	126.6	18.1	PDF	IES	-	-	-	-	-
Tunable White	5000 50% DN / 50% UP	38.8	5,000	125.0	19.9	PDF	IES	5,000	126.6	19.9	PDF	IES	5,000	128.7	19.9	PDF	IES	5,000	130.5	19.9	PDF	IES	5,000	133.3	19.9	PDF	IES	5,000	136.4	19.9	PDF	IES
	4000 50% DN / 50% UP	30.7	3,999	126.6	19.1	PDF	IES	3,999	128.2	19.1	PDF	IES	3,999	130.1	19.1	PDF	IES	3,999	131.8	19.1	PDF	IES	3,999	134.5	19.1	PDF	IES	3,999	137.6	19.1	PDF	IES
Static White	8000 50% DN / 50% UP	60.6	7,396	122.0	21.3	PDF	IES	7,679	126.7	21.4	PDF	IES	8,008	132.1	21.5	PDF	IES	8,041	132.7	21.5	PDF	IES	8,388	138.4	21.7	PDF	IES	-	-	-	-	-
	7000 50% DN / 50% UP	52.6	6,466	122.9	20.8	PDF	IES	6,712	127.6	20.9	PDF	IES	6,998	133.0	21.1	PDF	IES	7,024	133.5	21.1	PDF	IES	7,325	139.3	21.2	PDF	IES	-	-	-	-	-
	6000 50% DN / 50% UP	44.5	5,538	124.4	20.2	PDF	IES	5,749	129.2	20.4	PDF	IES	5,993	134.7	20.5	PDF	IES	6,011	135.1	20.5	PDF	IES	6,273	141.0	20.7	PDF	IES	-	-	-	-	-
	5000 50% DN / 50% UP	37.3	4,617	123.8	19.6	PDF	IES	4,793	128.5	19.7	PDF	IES	4,996	133.9	19.9	PDF	IES	5,006	134.2	19.9	PDF	IES	5,233	140.3	20.0	PDF	IES	-	-	-	-	-
	4000 50% DN / 50% UP	30.0	3,707	123.6	18.9	PDF	IES	3,848	128.3	19.0	PDF	IES	4,011	133.7	19.1	PDF	IES	4,014	133.8	19.1	PDF	IES	4,206	140.2	19.3	PDF	IES	-	-	-	-	-
	3000 50% DN / 50% UP	23.0	2,763	120.1	17.8	PDF	IES	2,867	124.7	18.0	PDF	IES	2,990	130.0	18.1	PDF	IES	2,987	129.9	18.1	PDF	IES	3,139	136.5	18.3	PDF	IES	-	-	-	-	-
	2000 50% DN / 50% UP	15.7	1,858	118.3	16.5	PDF	IES	1,926	122.7	16.6	PDF	IES	2,010	128.0	16.7	PDF	IES	2,005	127.7	16.7	PDF	IES	2,113	134.6	16.9	PDF	IES	-	-	-	-	-

Direct/Indirect (SL06) One Light Engine - AE (40% Down/60% Up)

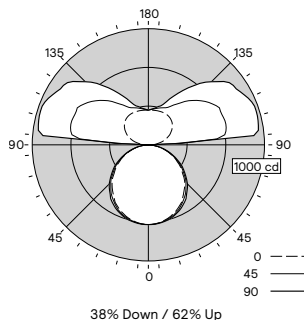
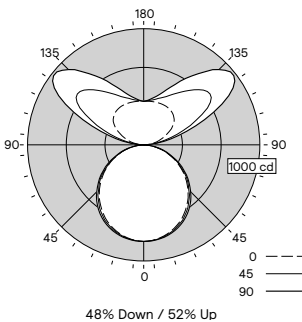
Click "PDF" or "IES" text to download

Nominal CRI & CCT		CRI 90+, 2700K					CRI 90+, 3000K					CRI 90+, 3500K					CRI 90+, 4000K					CRI 90+, 5000K										
Nominal Lumen Package (lm/4ft)		Watts (W) ³	Flux (lm/4ft) ¹	Efficacy (LPW) ¹	UGR ²	Photometry Report	IES File	Flux (lm/4ft) ¹	Efficacy (LPW) ¹	UGR ²	Photometry Report	IES File	Flux (lm/4ft) ¹	Efficacy (LPW) ¹	UGR ²	Photometry Report	IES File	Flux (lm/4ft) ¹	Efficacy (LPW) ¹	UGR ²	Photometry Report	IES File	Flux (lm/4ft) ¹	Efficacy (LPW) ¹	UGR ²	Photometry Report	IES File	Flux (lm/4ft) ¹	Efficacy (LPW) ¹	UGR ²	Photometry Report	IES File
Static White	8000 40% DN / 60% UP	60.6	7,777	128.3	19.4	PDF	IES	8,075	133.3	19.6	PDF	IES	8,420	138.9	19.7	PDF	IES	8,456	139.5	19.7	PDF	IES	8,820	145.5	19.9	PDF	IES					
	7000 40% DN / 60% UP	52.6	6,799	129.3	19.0	PDF	IES	7,058	134.2	19.1	PDF	IES	7,358	139.9	19.2	PDF	IES	7,386	140.4	19.3	PDF	IES	7,702	146.4	19.4	PDF	IES					
	6000 40% DN / 60% UP	44.5	5,823	130.9	18.4	PDF	IES	6,045	135.8	18.6	PDF	IES	6,302	141.6	18.7	PDF	IES	6,321	142.0	18.7	PDF	IES	6,596	148.2	18.9	PDF	IES					
	5000 40% DN / 60% UP	37.3	4,855	130.2	17.8	PDF	IES	5,040	135.1	17.9	PDF	IES	5,254	140.9	18.1	PDF	IES	5,264	141.1	18.1	PDF	IES	5,503	147.5	18.2	PDF	IES					
	4000 40% DN / 60% UP	30.0	3,898	129.9	17.0	PDF	IES	4,046	134.9	17.2	PDF	IES	4,218	140.6	17.3	PDF	IES	4,221	140.7	17.3	PDF	IES	4,422	147.4	17.5	PDF	IES					
	3000 40% DN / 60% UP	23.0	2,905	126.3	16.0	PDF	IES	3,014	131.0	16.1	PDF	IES	3,144	136.7	16.3	PDF	IES	3,141	136.6	16.3	PDF	IES	3,300	143.5	16.5	PDF	IES					
	2000 40% DN / 60% UP	15.7	1,954	124.5	14.6	PDF	IES	2,025	129.0	14.8	PDF	IES	2,113	134.6	14.9	PDF	IES	2,108	134.3	14.9	PDF	IES	2,221	141.5	15.1	PDF	IES					

- 4ft Luminaire photometry has been conducted in accordance with IES LM-79-08. IES files can be downloaded by clicking the links in the table above, or online at ledalite.com. Luminaires with finishes other than standard white may result in a drop in flux and efficacy.
- Unified Glare Ratio (UGR) is calculated in accordance with CIE 117-1995. Reference conditions of 4Hx8Hx1H and reflectances of 70/50/20% have been applied using the procedure described in CIE 190-2010.
- Input power stated at 3500K. BioUp & Tunable White, stated with Advance FlexTune SR driver & Interact Pro scalable wireless sensor, data may vary with other drivers.
- BioUp delivers CRI 90+, 2700K-3000K, and CRI 80+, >3000K-5000K.

One Light Engine - AD (50% Down/%50 Up) Spacing Criteria: 1.24/1.29

One Light Engine - AE (40% Down/%60 Up) Spacing Criteria: 1.23/1.29



Candela plots shown are for 5000lm/4ft, CRI 90, 3500K configurations.

SyncLine suspended

Photometry

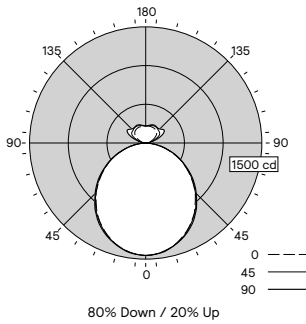
Direct/Indirect (SL06) One Light Engine – AG (80% Down/20% Up)

Click "PDF" or "IES" text to download

Nominal CRI & CCT		CRI 90+, 2700K					CRI 90+, 3000K					CRI 90+ ⁴ , 3500K					CRI 90+ ⁴ , 4000K					CRI 90+ ⁴ , 5000K					CRI 90+, 6500K					
Nominal Lumen Package (lm/4ft)		Watts (W) ³	Flux (lm/4ft) ¹	Efficacy (L/PW) ¹	UGR ²	Photometry Report	IES File	Flux (lm/4ft) ¹	Efficacy (L/PW) ¹	UGR ²	Photometry Report	IES File	Flux (lm/4ft) ¹	Efficacy (L/PW) ¹	UGR ²	Photometry Report	IES File	Flux (lm/4ft) ¹	Efficacy (L/PW) ¹	UGR ²	Photometry Report	IES File	Flux (lm/4ft) ¹	Efficacy (L/PW) ¹	UGR ²	Photometry Report	IES File	Flux (lm/4ft) ¹	Efficacy (L/PW) ¹	UGR ²	Photometry Report	IES File
BioUp	4000 80% DN/20% UP	36.2	4,000	114.0	23.2	PDF	IES	4,000	112.2	23.2	PDF	IES	4,000	110.6	23.2	PDF	IES	4,000	109.3	23.2	PDF	IES	4,000	107.6	23.2	PDF	IES	-	-	-	-	-
	3000 80% DN/20% UP	26.4	3,000	117.2	22.2	PDF	IES	3,000	115.2	22.2	PDF	IES	3,000	113.6	22.2	PDF	IES	3,000	112.5	22.2	PDF	IES	3,000	110.8	22.2	PDF	IES	-	-	-	-	-
Tunable White	4000 80% DN/20% UP	35.0	4,000	111.1	23.2	PDF	IES	4,000	112.5	23.2	PDF	IES	4,000	114.2	23.2	PDF	IES	4,000	115.7	23.2	PDF	IES	4,000	118.1	23.2	PDF	IES	4,000	120.8	23.2	PDF	IES
	3000 80% DN/20% UP	26.0	2,999	112.3	22.2	PDF	IES	2,999	113.6	22.2	PDF	IES	2,999	115.3	22.2	PDF	IES	2,999	116.8	22.2	PDF	IES	2,999	119.1	22.2	PDF	IES	2,999	121.7	22.2	PDF	IES
Static White	5000 80% DN/20% UP	42.0	4,623	110.1	23.7	PDF	IES	4,798	114.2	23.8	PDF	IES	5,002	119.1	24.0	PDF	IES	5,016	119.4	24.0	PDF	IES	5,237	124.7	24.2	PDF	IES	-	-	-	-	-
	4000 80% DN/20% UP	33.8	3,704	109.6	22.9	PDF	IES	3,844	113.7	23.1	PDF	IES	4,008	118.6	23.2	PDF	IES	4,014	118.8	23.2	PDF	IES	4,199	124.2	23.4	PDF	IES	-	-	-	-	-
	3000 80% DN/20% UP	25.7	2,771	107.8	21.9	PDF	IES	2,876	111.9	22.1	PDF	IES	2,999	116.7	22.2	PDF	IES	2,998	116.7	22.2	PDF	IES	3,147	122.5	22.4	PDF	IES	-	-	-	-	-
	2000 80% DN/20% UP	17.4	1,850	106.3	20.5	PDF	IES	1,918	110.2	20.7	PDF	IES	2,001	115.0	20.8	PDF	IES	1,997	114.8	20.8	PDF	IES	2,103	120.9	21.0	PDF	IES	-	-	-	-	-

1. 4ft Luminaire photometry has been conducted in accordance with IES LM-79-08. IES files can be downloaded by clicking the links in the table above, or online at ledalite.com. Luminaires with finishes other than standard white may result in a drop in flux and efficacy.
2. Unified Glare Ratio (UGR) is calculated in accordance with CIE 117-1995. Reference conditions of 4Hx8Hx1H and reflectances of 70/50/20% have been applied using the procedure described in CIE 190-2010.
3. Input power stated at 3500K. BioUp & Tunable White, stated with Advance FlexTune SR driver & Interact Pro scalable wireless sensor, data may vary with other drivers.
4. BioUp delivers CRI 90+, 2700K-3000K, and CRI 80+, >3000K-5000K

One Light Engine – AG (80% Down/%20 Up)
Spacing Criteria: 1.21/1.23



Candela plots shown are for 5000lm/4ft, CRI 90, 3500K configurations.

SyncLine suspended

Footnotes from page 1 ordering guide

1. Nominal values within a range. Not all lumen packages are available with all configurations. Consult photometry data for CRI, color temp, lumens & distribution of chosen configuration.
 2. Not all wiring types are available with all configurations. Consult Ledalite for a complete list of available options.
 3. 347V Only available with Advance Xitanium 0-10V (1% Dim) driver. Not available with other Drivers, Battery Pack, GTD, Interact Pro options. Battery packs available for UNV 120-277V drivers, lumen package limits may apply, check with Ledalite.
 4. Interact Pro options require separate controls hardware by Signify.
 5. Tunable White and BioUp options are available with Interact Pro wireless or with 2ch 0-10V or DALI-2 (DT6 or DT8) wired drivers. Please enquire about options such as Lutron T Series or DMX control (extended lead times may apply).
 6. Auxiliary Wiring not available with Interact Pro luminaires. Aux sections are wired to one fixture end only.
 7. Sensors must be combined with a Sensor Ready driver option. Default sensor colour is white, fixtures with black finish have black sensors. (Consult factory for other combinations).
 8. Luminaires are pre-wired to both ends with quick wire connectors at one end for standard circuit & battery pack trigger wire (if applicable). Each circuit has its own neutral conductor. All circuits are clearly labelled at each end.
 9. Must order IRT9015 Interact commissioning remote with each system order.
 10. One Light Engine options only support single circuit. Two Light Engine options support single or dual circuits.
 11. Other options not shown here may also be possible via a custom request. Extended lead times and minimum order quantities may apply, please consult factory.
 12. UL924 listed sensor bypass relay is factory installed between driver & sensor. Must be ordered in same module as integral sensing option. Must be installed in conjunction with a UL1008 device.
- Note:** Due to continuing product improvements, Ledalite reserves the right to change the specifications without notice.

