



PILA LED Ceiling RD

PILA Ceiling RD LED12W 830 IP44 MDU NEW

PILA Ceiling RD – LED Module, system flux 1250 lm
830 neutral white – 12 W

Benefits

- Energy efficient
- Wide application range



CRI



20,000 h



Non-dimmable



10,000x



Product data

General information

Light source color	830 neutral white
Light source replaceable	-
Number of gear units	1 unit
Driver/power unit/transformer	PSU [Power supply unit]
Driver included	Yes
Emergency Lighting	-
Optic type	-
Control interface	No
Connection	Connector
Protection class IEC	Safety class I
Mounting	-
CE mark	Yes
EU RoHS compliant	Yes
Constant light output	No
Number of products on MCB of 16 A type B	-
Service tag	-
Product family code	PILA Ceiling

Operating and Electrical

Input Voltage	220-240 V
Input Frequency	50 to 60 Hz
Inrush current	-
Inrush time	-
Power Factor (Min)	> 0.9
Surge Protection (KV)	-

Controls and Dimming

Dimmable	No
----------	----

Mechanical and Housing

Housing Material	Polycarbonate
Optical cover/lens material	-
Optical cover/lens finish	-
Overall length	-
Overall width	-
Overall height	63 mm
Diameter	245 mm
Color	White
Accessory	-

Approval and Application

Ingress protection code	IP44
Mech. impact protection code	-

Initial Performance (IEC Compliant)

Initial luminous flux (system flux)	1250 lm
Initial LED luminaire efficacy	104 lm/W
Init. Corr. Color Temperature	3000 K
Init. Color Rendering Index	> 80
Initial chromaticity	-
Initial input power	12 W



Over Time Performance (IEC Compliant)

Lifetime L65B50	20,000 h
-----------------	----------

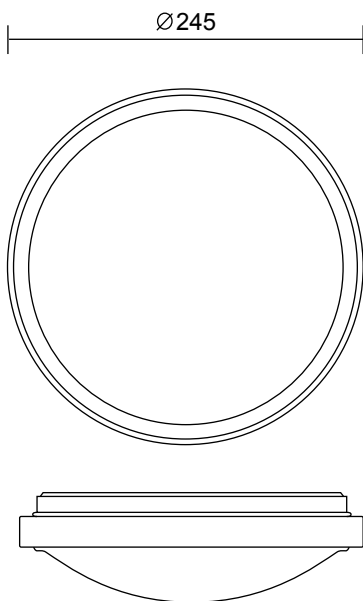
Application Conditions

Performance ambient temperature Tq	-
------------------------------------	---

Product Data

Full product code	-
Order product name	PILA Ceiling RD LED12W 830 IP44 MDU
EAN/UPC - Product	872790097425600
Order code	-
Numerator - Quantity Per Pack	1
Numerator - Packs per outer box	1
Material Nr. (12NC)	929004100323
Net Weight (Piece)	-

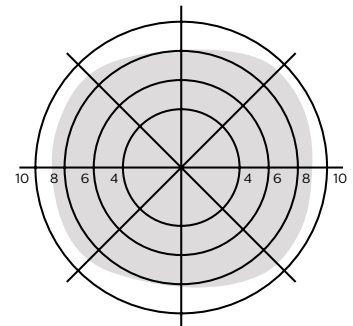
Dimensional drawing



Motion and daylight detection



The fixing height for the ceiling is 3 m



Light control: 15 +/- 5 lux
Time setting: 45 sec +/- 5sec



PILA LED Ceiling RD

PILA Ceiling RD LED12W 840 IP44 MDU NEW

**PILA Ceiling RD – LED Module, system flux 1300 lm
840 neutral white – 12 W**

Benefits

- Energy efficient
- Wide application range



CRI



20,000 h



Non-dimmable



10,000x



Product data

General information

Light source color	840 neutral white
Light source replaceable	-
Number of gear units	1 unit
Driver/power unit/transformer	PSU [Power supply unit]
Driver included	Yes
Emergency Lighting	-
Optic type	-
Control interface	No
Connection	Connector
Protection class IEC	Safety class I
Mounting	-
CE mark	Yes
EU RoHS compliant	Yes
Constant light output	No
Number of products on MCB of 16 A type B	-
Service tag	-
Product family code	PILA Ceiling

Operating and Electrical

Input Voltage	220-240 V
Input Frequency	50 to 60 Hz
Inrush current	-
Inrush time	-
Power Factor (Min)	> 0.9
Surge Protection (KV)	-

Controls and Dimming

Dimmable	No
----------	----

Mechanical and Housing

Housing Material	Polycarbonate
Optical cover/lens material	-
Optical cover/lens finish	-
Overall length	-
Overall width	-
Overall height	63 mm
Diameter	245 mm
Color	White
Accessory	-

Approval and Application

Ingress protection code	IP44
Mech. impact protection code	-

Initial Performance (IEC Compliant)

Initial luminous flux (system flux)	1300 lm
Initial LED luminaire efficacy	108 lm/W
Init. Corr. Color Temperature	4000 K
Init. Color Rendering Index	> 80
Initial chromaticity	-
Initial input power	12 W

Over Time Performance (IEC Compliant)

Lifetime L65B50	20,000 h
-----------------	----------

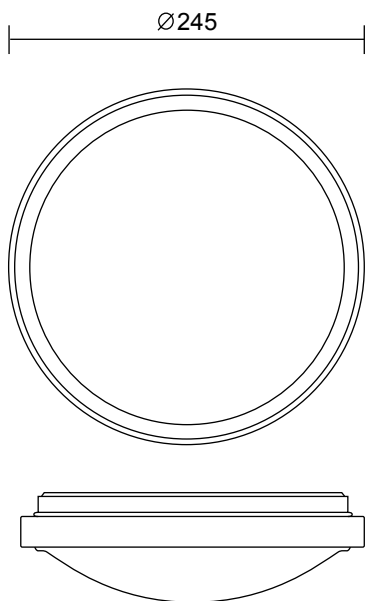
Application Conditions

Performance ambient temperature Tq	-
------------------------------------	---

Product Data

Full product code	-
Order product name	PILA Ceiling RD LED12W 840 IP44 MDU
EAN/UPC - Product	872790097425600
Order code	-
Numerator - Quantity Per Pack	1
Numerator - Packs per outer box	1
Material Nr. (12NC)	929004100323
Net Weight (Piece)	-

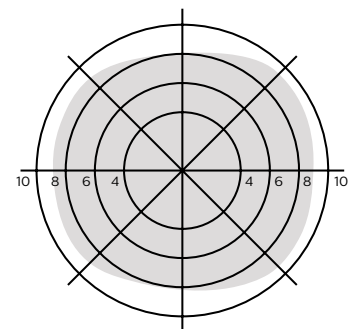
Dimensional drawing



Motion and daylight detection



The fixing height for the ceiling is 3 m



Light control: 15 +/- 5 lux
Time setting: 45 sec +/- 5sec



PILA LED Ceiling RD

PILA Ceiling RD LED21W 830 IP44 MDU NEW

PILA Ceiling RD – LED Module, system flux 2200 lm
830 neutral white – 21 W

Benefits

- Energy efficient
- Wide application range



CRI



20,000 h



Non-dimmable



10,000x



Product data

General information

Light source color	840 neutral white
Light source replaceable	-
Number of gear units	1 unit
Driver/power unit/transformer	PSU [Power supply unit]
Driver included	Yes
Emergency Lighting	-
Optic type	-
Control interface	No
Connection	Connector
Protection class IEC	Safety class I
Mounting	-
CE mark	Yes
EU RoHS compliant	Yes
Constant light output	No
Number of products on MCB of 16 A type B	-
Service tag	-
Product family code	PILA Ceiling

Operating and Electrical

Input Voltage	220-240 V
Input Frequency	50 to 60 Hz
Inrush current	-
Inrush time	-
Power Factor (Min)	> 0.9
Surge Protection (KV)	-

Controls and Dimming

Dimmable	No
----------	----

Mechanical and Housing

Housing Material	Polycarbonate
Optical cover/lens material	-
Optical cover/lens finish	-
Overall length	-
Overall width	-
Overall height	71 mm
Diameter	345 mm
Color	White
Accessory	-

Approval and Application

Ingress protection code	IP44
Mech. impact protection code	-

Initial Performance (IEC Compliant)

Initial luminous flux (system flux)	2200 lm
Initial LED luminaire efficacy	105 lm/W
Init. Corr. Color Temperature	3000 K
Init. Color Rendering Index	> 80
Initial chromaticity	-
Initial input power	21 W



PILA LED Ceiling RD

Over Time Performance (IEC Compliant)

Lifetime L65B50	20,000 h
-----------------	----------

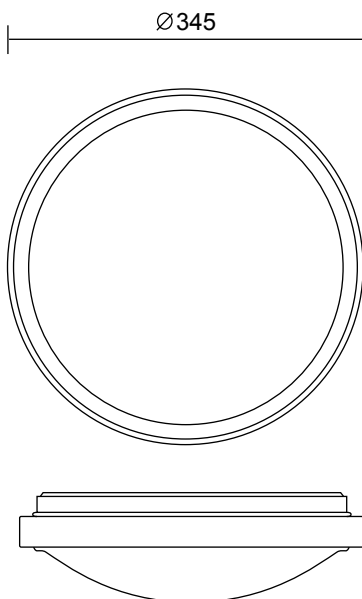
Application Conditions

Performance ambient temperature Tq	-
------------------------------------	---

Product Data

Full product code	-
Order product name	PILA Ceiling RD LED21W 830 IP44 MDU
EAN/UPC - Product	872790097429400
Order code	-
Numerator - Quantity Per Pack	1
Numerator - Packs per outer box	1
Material Nr. (12NC)	929004100523
Net Weight (Piece)	-

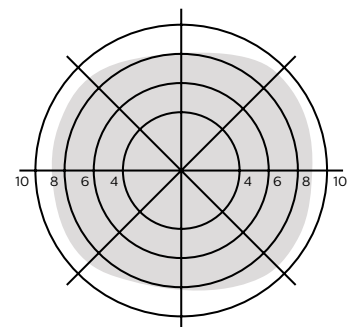
Dimensional drawing



Motion and daylight detection



The fixing height for the ceiling is 3 m



Light control: 15 +/- 5 lux
Time setting: 45 sec +/- 5sec



PILA LED Ceiling RD

PILA Ceiling RD LED21W 840 IP44 MDU NEW

**PILA Ceiling RD – LED Module, system flux 2300 lm
840 neutral white – 21 W**

Benefits

- Energy efficient
- Wide application range



CRI



20,000 h



Non-dimmable



10,000x



Product data

General information

Light source color	840 neutral white
Light source replaceable	-
Number of gear units	1 unit
Driver/power unit/transformer	PSU [Power supply unit]
Driver included	Yes
Emergency Lighting	-
Optic type	-
Control interface	No
Connection	Connector
Protection class IEC	Safety class I
Mounting	-
CE mark	Yes
EU RoHS compliant	Yes
Constant light output	No
Number of products on MCB of 16 A type B	-
Service tag	-
Product family code	PILA Ceiling

Operating and Electrical

Input Voltage	220-240 V
Input Frequency	50 to 60 Hz
Inrush current	-
Inrush time	-
Power Factor (Min)	> 0.9
Surge Protection (KV)	-

Controls and Dimming

Dimmable	No
----------	----

Mechanical and Housing

Housing Material	Polycarbonate
Optical cover/lens material	-
Optical cover/lens finish	-
Overall length	-
Overall width	-
Overall height	71 mm
Diameter	345 mm
Color	White
Accessory	-

Approval and Application

Ingress protection code	IP44
Mech. impact protection code	-

Initial Performance (IEC Compliant)

Initial luminous flux (system flux)	2300 lm
Initial LED luminaire efficacy	110 lm/W
Init. Corr. Color Temperature	4000 K
Init. Color Rendering Index	> 80
Initial chromaticity	-
Initial input power	21 W



PILA LED Ceiling RD

Over Time Performance (IEC Compliant)

Lifetime L65B50	20,000 h
-----------------	----------

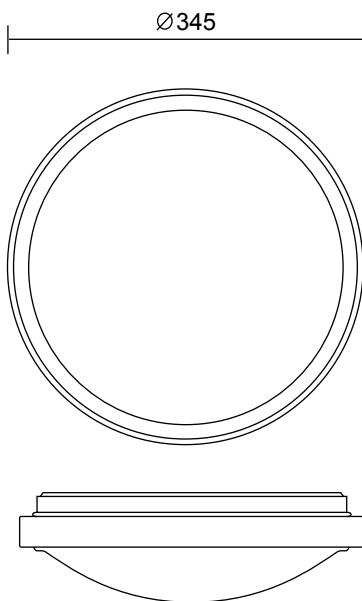
Application Conditions

Performance ambient temperature Tq	-
------------------------------------	---

Product Data

Full product code	-
Order product name	PILA Ceiling RD LED21W 840 IP44 MDU
EAN/UPC - Product	872790097431700
Order code	-
Numerator - Quantity Per Pack	1
Numerator - Packs per outer box	1
Material Nr. (12NC)	929004100623
Net Weight (Piece)	-

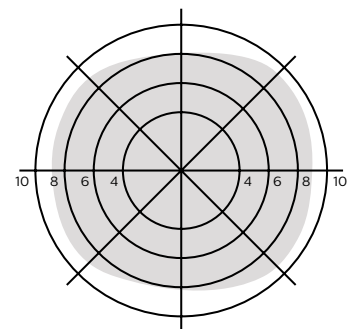
Dimensional drawing



Motion and daylight detection



The fixing height for the ceiling is 3 m



Light control: 15 +/- 5 lux
Time setting: 45 sec +/- 5sec



PILA LED Ceiling RD

PILA Ceiling RD LED10W 830 IP44

PILA Ceiling RD – LED Module, system flux 820 lm
830 neutral white – 10 W

Benefits

- Energy efficient
- Wide application range



CRI



20,000 h



Non-dimmable



10,000x



Product data

General information

Light source color	840 neutral white
Light source replaceable	-
Number of gear units	1 unit
Driver/power unit/transformer	PSU [Power supply unit]
Driver included	Yes
Emergency Lighting	-
Optic type	-
Control interface	No
Connection	Connector
Protection class IEC	Safety class II
Mounting	-
CE mark	Yes
EU RoHS compliant	Yes
Constant light output	No
Number of products on MCB of 16 A type B	-
Service tag	-
Product family code	PILA Ceiling

Operating and Electrical

Input Voltage	220-240 V
Input Frequency	50 to 60 Hz
Inrush current	-
Inrush time	-
Power Factor (Min)	> 0.9
Surge Protection (KV)	-

Controls and Dimming

Dimmable	No
----------	----

Mechanical and Housing

Housing Material	Polycarbonate
Optical cover/lens material	-
Optical cover/lens finish	-
Overall length	-
Overall width	-
Overall height	50 mm
Diameter	240 mm
Color	White
Accessory	-

Approval and Application

Ingress protection code	IP44
Mech. impact protection code	-

Initial Performance (IEC Compliant)

Initial luminous flux (system flux)	820 lm
Initial LED luminaire efficacy	82 lm/W
Init. Corr. Color Temperature	3000 K
Init. Color Rendering Index	> 80
Initial chromaticity	-
Initial input power	10 W



Over Time Performance (IEC Compliant)

Lifetime L65B50	20,000 h
-----------------	----------

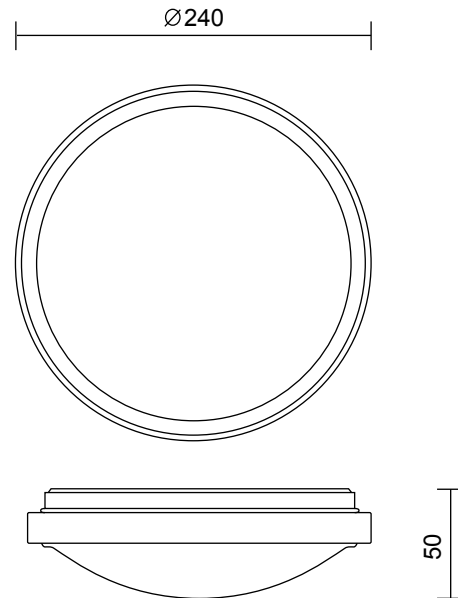
Application Conditions

Performance ambient temperature Tq	-
------------------------------------	---

Product Data

Full product code	-
Order product name	PILA Ceiling RD LED10W 830 IP44
EAN/UPC - Product	872790097433100
Order code	-
Numerator - Quantity Per Pack	1
Numerator - Packs per outer box	1
Material Nr. (12NC)	929004100723
Net Weight (Piece)	-

Dimensional drawing





PILA LED Ceiling RD

PILA Ceiling RD LED10W 840 IP44

PILA Ceiling RD – LED Module, system flux 880 lm
840 neutral white – 10 W

Benefits

- Energy efficient
- Wide application range



CRI



20,000 h



Non-dimmable



10,000x



Product data

General information

Light source color	840 neutral white
Light source replaceable	-
Number of gear units	1 unit
Driver/power unit/transformer	PSU [Power supply unit]
Driver included	Yes
Emergency Lighting	-
Optic type	-
Control interface	No
Connection	Connector
Protection class IEC	Safety class II
Mounting	-
CE mark	Yes
EU RoHS compliant	Yes
Constant light output	No
Number of products on MCB of 16 A type B	-
Service tag	-
Product family code	PILA Ceiling

Operating and Electrical

Input Voltage	220-240 V
Input Frequency	50 to 60 Hz
Inrush current	-
Inrush time	-
Power Factor (Min)	> 0.9
Surge Protection (KV)	-

Controls and Dimming

Dimmable	No
----------	----

Mechanical and Housing

Housing Material	Polycarbonate
Optical cover/lens material	-
Optical cover/lens finish	-
Overall length	-
Overall width	-
Overall height	50 mm
Diameter	240 mm
Color	White
Accessory	-

Approval and Application

Ingress protection code	IP44
Mech. impact protection code	-

Initial Performance (IEC Compliant)

Initial luminous flux (system flux)	880 lm
Initial LED luminaire efficacy	88 lm/W
Init. Corr. Color Temperature	4000 K
Init. Color Rendering Index	> 80
Initial chromaticity	-
Initial input power	10 W



Over Time Performance (IEC Compliant)

Lifetime L65B50	20,000 h
-----------------	----------

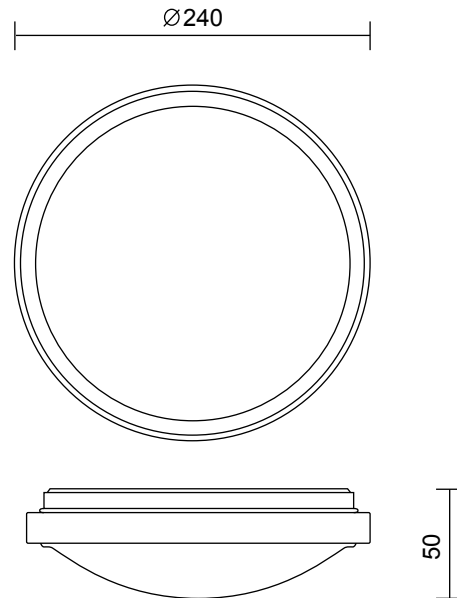
Application Conditions

Performance ambient temperature Tq	-
------------------------------------	---

Product Data

Full product code	-
Order product name	PILA Ceiling RD LED10W 840 IP44
EAN/UPC - Product	872790097435500
Order code	-
Numerator - Quantity Per Pack	1
Numerator - Packs per outer box	1
Material Nr. (12NC)	929004100823
Net Weight (Piece)	-

Dimensional drawing





PILA LED Ceiling RD

PILA Ceiling RD LED24W 830 IP44

PILA Ceiling RD – LED Module, system flux 2100 lm
840 neutral white – 24 W

Benefits

- Energy efficient
- Wide application range



CRI



20,000 h



Non-dimmable



10,000x



Product data

General information

Light source color	840 neutral white
Light source replaceable	-
Number of gear units	1 unit
Driver/power unit/transformer	PSU [Power supply unit]
Driver included	Yes
Emergency Lighting	-
Optic type	-
Control interface	No
Connection	Connector
Protection class IEC	Safety class I
Mounting	-
CE mark	Yes
EU RoHS compliant	Yes
Constant light output	No
Number of products on MCB of 16 A type B	-
Service tag	-
Product family code	PILA Ceiling

Operating and Electrical

Input Voltage	220-240 V
Input Frequency	50 to 60 Hz
Inrush current	-
Inrush time	-
Power Factor (Min)	> 0.9
Surge Protection (KV)	-

Controls and Dimming

Dimmable	No
----------	----

Mechanical and Housing

Housing Material	Polycarbonate
Optical cover/lens material	-
Optical cover/lens finish	-
Overall length	-
Overall width	-
Overall height	50 mm
Diameter	380 mm
Color	White
Accessory	-

Approval and Application

Ingress protection code	IP44
Mech. impact protection code	-

Initial Performance (IEC Compliant)

Initial luminous flux (system flux)	2100 lm
Initial LED luminaire efficacy	88 lm/W
Init. Corr. Color Temperature	3000 K
Init. Color Rendering Index	> 80
Initial chromaticity	-
Initial input power	24 W



Over Time Performance (IEC Compliant)

Lifetime L65B50	20,000 h
-----------------	----------

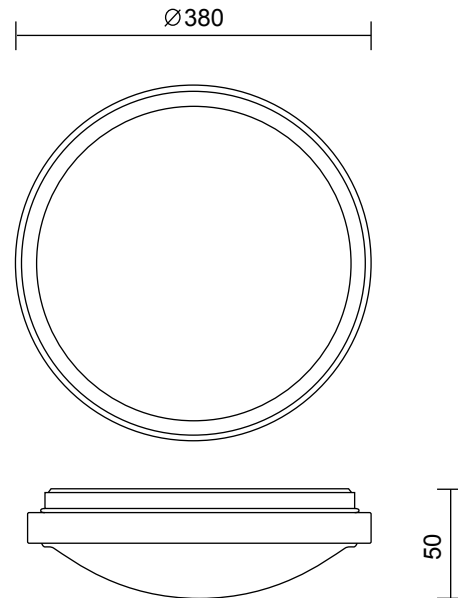
Application Conditions

Performance ambient temperature Tq	-
------------------------------------	---

Product Data

Full product code	-
Order product name	PILA Ceiling RD LED24W 830 IP44
EAN/UPC - Product	872790097437900
Order code	-
Numerator - Quantity Per Pack	1
Numerator - Packs per outer box	1
Material Nr. (12NC)	929004100923
Net Weight (Piece)	-

Dimensional drawing





PILA LED Ceiling RD

PILA Ceiling RD LED24W 840 IP44

PILA Ceiling RD – LED Module, system flux 2200 lm
840 neutral white – 24 W

Benefits

- Energy efficient
- Wide application range



CRI



20,000 h



Non-dimmable



10,000x



Product data

General information

Light source color	840 neutral white
Light source replaceable	-
Number of gear units	1 unit
Driver/power unit/transformer	PSU [Power supply unit]
Driver included	Yes
Emergency Lighting	-
Optic type	-
Control interface	No
Connection	Connector
Protection class IEC	Safety class I
Mounting	-
CE mark	Yes
EU RoHS compliant	Yes
Constant light output	No
Number of products on MCB of 16 A type B	-
Service tag	-
Product family code	PILA Ceiling

Operating and Electrical

Input Voltage	220-240 V
Input Frequency	50 to 60 Hz
Inrush current	-
Inrush time	-
Power Factor (Min)	> 0.9
Surge Protection (KV)	-

Controls and Dimming

Dimmable	No
----------	----

Mechanical and Housing

Housing Material	Polycarbonate
Optical cover/lens material	-
Optical cover/lens finish	-
Overall length	-
Overall width	-
Overall height	50 mm
Diameter	380 mm
Color	White
Accessory	-

Approval and Application

Ingress protection code	IP44
Mech. impact protection code	-

Initial Performance (IEC Compliant)

Initial luminous flux (system flux)	2200 lm
Initial LED luminaire efficacy	92 lm/W
Init. Corr. Color Temperature	4000 K
Init. Color Rendering Index	> 80
Initial chromaticity	-
Initial input power	24 W

Over Time Performance (IEC Compliant)

Lifetime L65B50	20,000 h
-----------------	----------

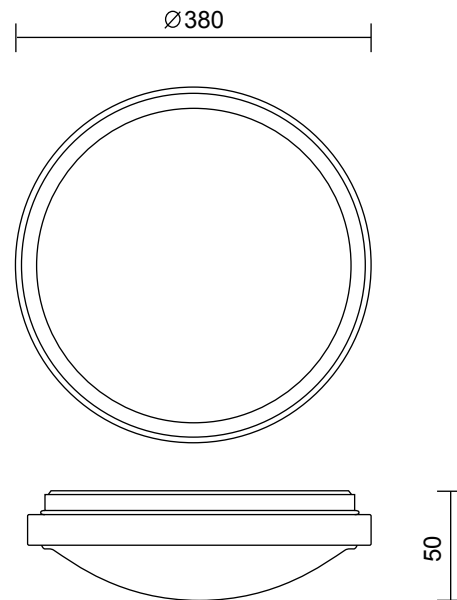
Application Conditions

Performance ambient temperature Tq	-
------------------------------------	---

Product Data

Full product code	-
Order product name	PILA Ceiling RD LED24W 840 IP44
EAN/UPC - Product	872790097439300
Order code	-
Numerator - Quantity Per Pack	1
Numerator - Packs per outer box	1
Material Nr. (12NC)	929004101023
Net Weight (Piece)	-

Dimensional drawing





PILA LED Ceiling

PILA Ceiling RD 10W 4000K W 06

**PILA Ceiling – LED Module, system flux 1100 lm
840 neutral white – 10 W**

Benefits

- Energy efficient
- Wide application range



CRI



15,000 h



Non-dimmable



10,000x



Product data

General information

Light source color	840 neutral white
Light source replaceable	-
Number of gear units	1 unit
Driver/power unit/transformer	PSU [Power supply unit]
Driver included	Yes
Emergency Lighting	-
Optic type	-
Control interface	No
Connection	Connector
Protection class IEC	Safety class I
Mounting	-
CE mark	Yes
EU RoHS compliant	Yes
Constant light output	No
Number of products on MCB of 16 A type B	-
Service tag	-
Product family code	PILA Ceiling

Operating and Electrical

Input Voltage	220-240 V
Input Frequency	50 to 60 Hz
Inrush current	-
Inrush time	-
Power Factor (Min)	> 0.9
Surge Protection (KV)	-

Controls and Dimming

Dimmable	No
----------	----

Mechanical and Housing

Housing Material	Polycarbonate
Optical cover/lens material	-
Optical cover/lens finish	-
Overall length	-
Overall width	-
Overall height	68 mm
Diameter	250 mm
Color	White
Accessory	-

Approval and Application

Ingress protection code	IP20
Mech. impact protection code	-

Initial Performance (IEC Compliant)

Initial luminous flux (system flux)	1100 lm
Initial LED luminaire efficacy	110 lm/W
Init. Corr. Color Temperature	4000 K
Init. Color Rendering Index	> 80
Initial chromaticity	-
Initial input power	10 W

Over Time Performance (IEC Compliant)

Lifetime L65B50	15,000 h
-----------------	----------

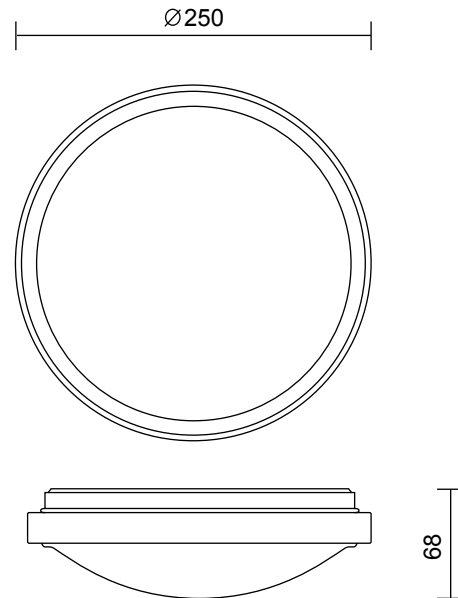
Application Conditions

Performance ambient temperature Tq	-
------------------------------------	---

Product Data

Full product code	-
Order product name	PILA Ceiling RD 10W 4000K W 06
EAN/UPC - Product	8727900967807
Order code	-
Numerator - Quantity Per Pack	1
Numerator - Packs per outer box	1
Material Nr. (12NC)	915005778323
Net Weight (Piece)	-

Dimensional drawing





PILA LED Ceiling

PILA Ceiling RD 17W 4000K W 06

**PILA Ceiling – LED Module, system flux 1900 lm
840 neutral white – 17 W**

Benefits

- Energy efficient
- Wide application range



CRI



15,000 h



Non-dimmable



10,000x



Product data

General information

Light source color	840 neutral white
Light source replaceable	-
Number of gear units	1 unit
Driver/power unit/transformer	PSU [Power supply unit]
Driver included	Yes
Emergency Lighting	-
Optic type	-
Control interface	No
Connection	Connector
Protection class IEC	Safety class I
Mounting	-
CE mark	Yes
EU RoHS compliant	Yes
Constant light output	No
Number of products on MCB of 16 A type B	-
Service tag	-
Product family code	PILA Ceiling

Operating and Electrical

Input Voltage	220-240 V
Input Frequency	50 to 60 Hz
Inrush current	-
Inrush time	-
Power Factor (Min)	> 0.9
Surge Protection (KV)	-

Controls and Dimming

Dimmable	No
----------	----

Mechanical and Housing

Housing Material	Polycarbonate
Optical cover/lens material	-
Optical cover/lens finish	-
Overall length	-
Overall width	-
Overall height	68 mm
Diameter	320 mm
Color	White
Accessory	-

Approval and Application

Ingress protection code	IP20
Mech. impact protection code	-

Initial Performance (IEC Compliant)

Initial luminous flux (system flux)	1900 lm
Initial LED luminaire efficacy	112 lm/W
Init. Corr. Color Temperature	4000 K
Init. Color Rendering Index	> 80
Initial chromaticity	-
Initial input power	17 W



Over Time Performance (IEC Compliant)

Lifetime L65B50	15,000 h
-----------------	----------

Application Conditions

Performance ambient temperature Tq	-
------------------------------------	---

Product Data

Full product code	-
Order product name	PILA Ceiling RD 17W 4000K W 06
EAN/UPC - Product	8727900967821
Order code	-
Numerator - Quantity Per Pack	1
Numerator - Packs per outer box	1
Material Nr. (12NC)	915005778923
Net Weight (Piece)	-

Dimensional drawing

