



PILA Waterproof

PILA WT007C LED17S/840 PSU L600

PILA Waterproof – LED Module, system flux 1700 lm – 840 neutral white – Power supply unit – Length 600 mm

Benefits

- Robust luminaire
- Supports energy saving
- Available in three size



CRI



35,000 h



220-240 Vac



Safety Class



IP65



IK06



Product data

General information

Lamp family code	LED17S [LED Module, system flux 1700 lm]
Light source color	840 neutral white
Light source replaceable	-
Number of gear units	1 unit
Driver/power unit/transformer	PSU [Power supply unit]
Driver included	Yes
Emergency Lighting	-
Optic type	-
Control interface	No
Connection	Wire
Protection class IEC	Safety class II
Mounting	-
CE mark	Yes
EU RoHS compliant	Yes
Constant light output	No
Number of products on MCB of 16 A type B	-
Service tag	-
Product family code	WT007C [PILA Waterproof]

Operating and Electrical

Input Voltage	220-240 V
Input Frequency	50 to 60 Hz
Inrush current	-
Inrush time	-
Power Factor (Min)	> 0.9

Surge Protection (KV)	-
-----------------------	---

Controls and Dimming

Dimmable	No
----------	----

Mechanical and Housing

Housing Material	Polycarbonate
Optical cover/lens material	-
Optical cover/lens finish	-
Overall length	598 mm
Overall width	35.5 mm
Overall height	73 mm
Color	Grey
Accessory	-

Approval and Application

Ingress protection code	IP65
Mech. impact protection code	IK06

Initial Performance (IEC Compliant)

Initial luminous flux (system flux)	1700 lm
Initial LED luminaire efficacy	100 lm/W
Init. Corr. Color Temperature	4000 K
Init. Color Rendering Index	> 80
Initial chromaticity	-
Initial input power	17 W



Over Time Performance (IEC Compliant)

Lifetime L70	35,000 h
--------------	----------

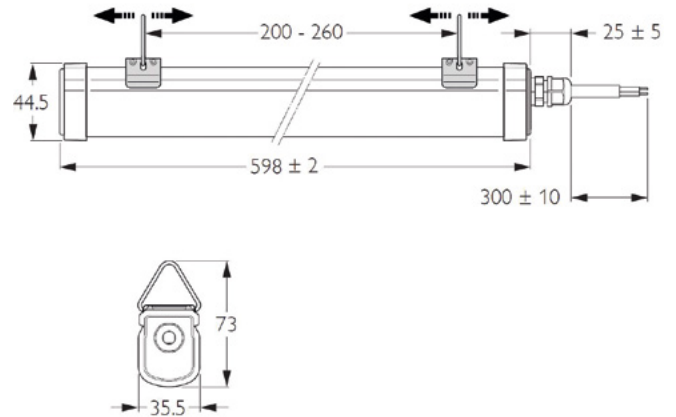
Application Conditions

Performance ambient temperature Tq	-
------------------------------------	---

Product Data

Full product code	-
Order product name	PILA WT007C LED17S/840 PSU L600
EAN/UPC - Product	8710163343112
Order code	-
Numerator - Quantity Per Pack	1
Numerator - Packs per outer box	1
Material Nr. (12NC)	911401809680
Net Weight (Piece)	-

Dimensional drawing





PILA Waterproof

PILA WT007C LED34S/840 PSU L1200

PILA Waterproof – LED Module, system flux 3400 lm – 840 neutral white – Power supply unit – Length 1200 mm

Benefits

- Robust luminaire
- Supports energy saving
- Available in three size



Product data

General information

Lamp family code	LED34S [LED Module, system flux 3400 lm]
Light source color	840 neutral white
Light source replaceable	-
Number of gear units	1 unit
Driver/power unit/transformer	PSU [Power supply unit]
Driver included	Yes
Emergency Lighting	-
Optic type	-
Control interface	No
Connection	Wire
Protection class IEC	Safety class II
Mounting	-
CE mark	Yes
EU RoHS compliant	Yes
Constant light output	No
Number of products on MCB of 16 A type B	-
Service tag	-
Product family code	WT007C [PILA Waterproof]

Operating and Electrical

Input Voltage	220-240 V
Input Frequency	50 to 60 Hz
Inrush current	-
Inrush time	-
Power Factor (Min)	> 0.9

Surge Protection (KV)	-
-----------------------	---

Controls and Dimming

Dimmable	No
----------	----

Mechanical and Housing

Housing Material	Polycarbonate
Optical cover/lens material	-
Optical cover/lens finish	-
Overall length	1198 mm
Overall width	35.5 mm
Overall height	73 mm
Color	Grey
Accessory	-

Approval and Application

Ingress protection code	IP65
Mech. impact protection code	IK06

Initial Performance (IEC Compliant)

Initial luminous flux (system flux)	3400 lm
Initial LED luminaire efficacy	100 lm/W
Init. Corr. Color Temperature	4000 K
Init. Color Rendering Index	> 80
Initial chromaticity	-
Initial input power	34 W



Over Time Performance (IEC Compliant)

Lifetime L70	35,000 h
--------------	----------

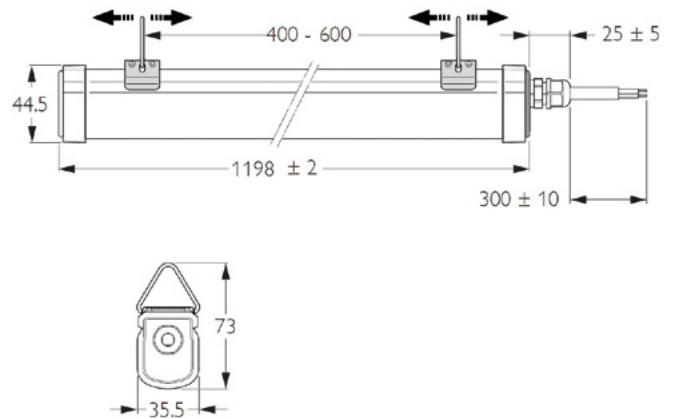
Application Conditions

Performance ambient temperature Tq	-
------------------------------------	---

Product Data

Full product code	-
Order product name	PILA WT007C LED34S/840 PSU L1200
EAN/UPC - Product	8710163335148
Order code	-
Numerator - Quantity Per Pack	1
Numerator - Packs per outer box	1
Material Nr. (12NC)	911401735772
Net Weight (Piece)	-

Dimensional drawing





PILA Waterproof

PILA WT007C LED34S/865 PSU L1200

PILA Waterproof – LED Module, system flux 3400 lm – 865 cool daylight – Power supply unit – Length 1200 mm

Benefits

- Robust luminaire
- Supports energy saving
- Available in three size



Product data

General information

Lamp family code	LED34S [LED Module, system flux 3400 lm]
Light source color	865 cool daylight
Light source replaceable	-
Number of gear units	1 unit
Driver/power unit/transformer	PSU [Power supply unit]
Driver included	Yes
Emergency Lighting	-
Optic type	-
Control interface	No
Connection	Wire
Protection class IEC	Safety class II
Mounting	-
CE mark	Yes
EU RoHS compliant	Yes
Constant light output	No
Number of products on MCB of 16 A type B	-
Service tag	-
Product family code	WT007C [PILA Waterproof]

Operating and Electrical

Input Voltage	220-240 V
Input Frequency	50 to 60 Hz
Inrush current	-
Inrush time	-
Power Factor (Min)	> 0.9

Surge Protection (KV)	-
-----------------------	---

Controls and Dimming

Dimmable	No
----------	----

Mechanical and Housing

Housing Material	Polycarbonate
Optical cover/lens material	-
Optical cover/lens finish	-
Overall length	1198 mm
Overall width	35.5 mm
Overall height	73 mm
Color	Grey
Accessory	-

Approval and Application

Ingress protection code	IP65
Mech. impact protection code	IK06

Initial Performance (IEC Compliant)

Initial luminous flux (system flux)	3400 lm
Initial LED luminaire efficacy	100 lm/W
Init. Corr. Color Temperature	6500 K
Init. Color Rendering Index	> 80
Initial chromaticity	-
Initial input power	34 W

Over Time Performance (IEC Compliant)

Lifetime L70	35,000 h
--------------	----------

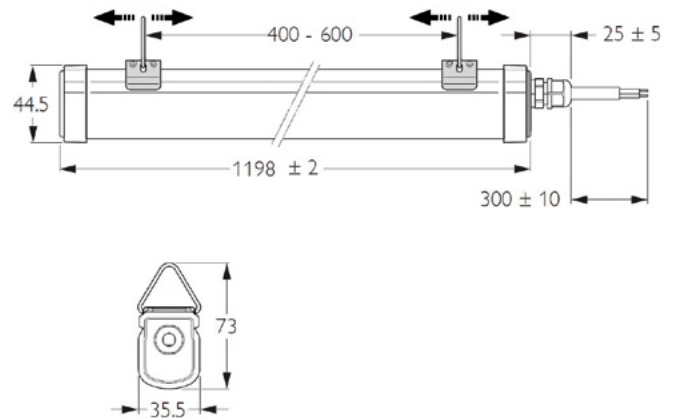
Application Conditions

Performance ambient temperature Tq	-
------------------------------------	---

Product Data

Full product code	-
Order product name	PILA WT007C LED34S/865 PSU L1200
EAN/UPC - Product	8710163335148
Order code	-
Numerator - Quantity Per Pack	1
Numerator - Packs per outer box	1
Material Nr. (12NC)	911401735772
Net Weight (Piece)	-

Dimensional drawing





PILA Waterproof

PILA WT007C LED54S/840 PSU L1500

PILA Waterproof – LED Module, system flux 5400 lm – 840 neutral white – Power supply unit – Length 1500 mm

Benefits

- Robust luminaire
- Supports energy saving
- Available in three size



Product data

General information

Lamp family code	LED54S [LED Module, system flux 5400 lm]
Light source color	840 neutral white
Light source replaceable	-
Number of gear units	1 unit
Driver/power unit/transformer	PSU [Power supply unit]
Driver included	Yes
Emergency Lighting	-
Optic type	-
Control interface	No
Connection	Wire
Protection class IEC	Safety class II
Mounting	-
CE mark	Yes
EU RoHS compliant	Yes
Constant light output	No
Number of products on MCB of 16 A type B	-
Service tag	-
Product family code	WT007C [PILA Waterproof]

Operating and Electrical

Input Voltage	220-240 V
Input Frequency	50 to 60 Hz
Inrush current	-
Inrush time	-
Power Factor (Min)	> 0.9

Surge Protection (KV)	-
-----------------------	---

Controls and Dimming

Dimmable	No
----------	----

Mechanical and Housing

Housing Material	Polycarbonate
Optical cover/lens material	-
Optical cover/lens finish	-
Overall length	1498 mm
Overall width	35.5 mm
Overall height	73 mm
Color	Grey
Accessory	-

Approval and Application

Ingress protection code	IP65
Mech. impact protection code	IK06

Initial Performance (IEC Compliant)

Initial luminous flux (system flux)	5400 lm
Initial LED luminaire efficacy	100 lm/W
Init. Corr. Color Temperature	4000 K
Init. Color Rendering Index	> 80
Initial chromaticity	-
Initial input power	54 W

Over Time Performance (IEC Compliant)

Lifetime L70	35,000 h
--------------	----------

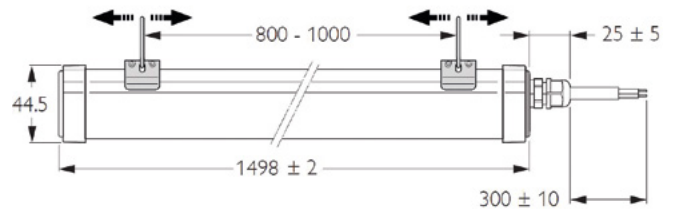
Application Conditions

Performance ambient temperature Tq	-
------------------------------------	---

Product Data

Full product code	-
Order product name	PILA WT007C LED54S/840 PSU L1500
EAN/UPC - Product	8710163335155
Order code	-
Numerator - Quantity Per Pack	1
Numerator - Packs per outer box	1
Material Nr. (12NC)	911401735782
Net Weight (Piece)	-

Dimensional drawing



L ± 2 mm	A mm
598	
1198	400 - 600
1498	800 - 1000



PILA Waterproof

PILA WT007C LED54S/865 PSU L1500

PILA Waterproof – LED Module, system flux 5400 lm – 865 cool daylight – Power supply unit – Length 1500 mm

Benefits

- Robust luminaire
- Supports energy saving
- Available in three size



Product data

General information

Lamp family code	LED54S [LED Module, system flux 5400 lm]
Light source color	865 cool daylight
Light source replaceable	-
Number of gear units	1 unit
Driver/power unit/transformer	PSU [Power supply unit]
Driver included	Yes
Emergency Lighting	-
Optic type	-
Control interface	No
Connection	Wire
Protection class IEC	Safety class II
Mounting	-
CE mark	Yes
EU RoHS compliant	Yes
Constant light output	No
Number of products on MCB of 16 A type B	-
Service tag	-
Product family code	WT007C [PILA Waterproof]

Operating and Electrical

Input Voltage	220-240 V
Input Frequency	50 to 60 Hz
Inrush current	-
Inrush time	-
Power Factor (Min)	> 0.9

Surge Protection (KV)	-
-----------------------	---

Controls and Dimming

Dimmable	No
----------	----

Mechanical and Housing

Housing Material	Polycarbonate
Optical cover/lens material	-
Optical cover/lens finish	-
Overall length	1498 mm
Overall width	35.5 mm
Overall height	73 mm
Color	Grey
Accessory	-

Approval and Application

Ingress protection code	IP65
Mech. impact protection code	IK06

Initial Performance (IEC Compliant)

Initial luminous flux (system flux)	5400 lm
Initial LED luminaire efficacy	100 lm/W
Init. Corr. Color Temperature	6500 K
Init. Color Rendering Index	> 80
Initial chromaticity	-
Initial input power	54 W

Over Time Performance (IEC Compliant)

Lifetime L70	35,000 h
--------------	----------

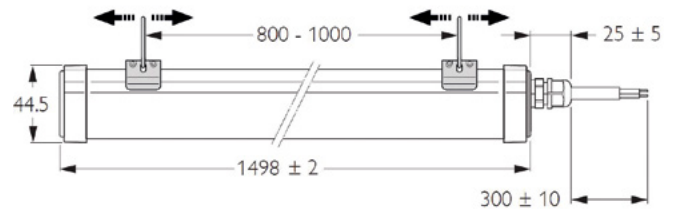
Application Conditions

Performance ambient temperature Tq	-
------------------------------------	---

Product Data

Full product code	-
Order product name	PILA WT007C LED54S/865 PSU L1500
EAN/UPC - Product	8710163351131
Order code	-
Numerator - Quantity Per Pack	1
Numerator - Packs per outer box	1
Material Nr. (12NC)	911401851180
Net Weight (Piece)	-

Dimensional drawing



L ± 2 mm	A mm
598	
1198	400 - 600
1498	800 - 1000