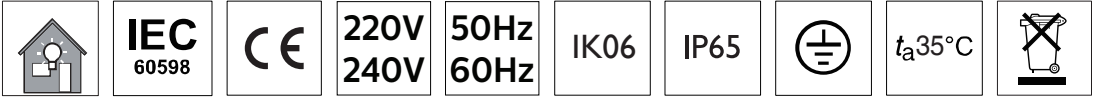
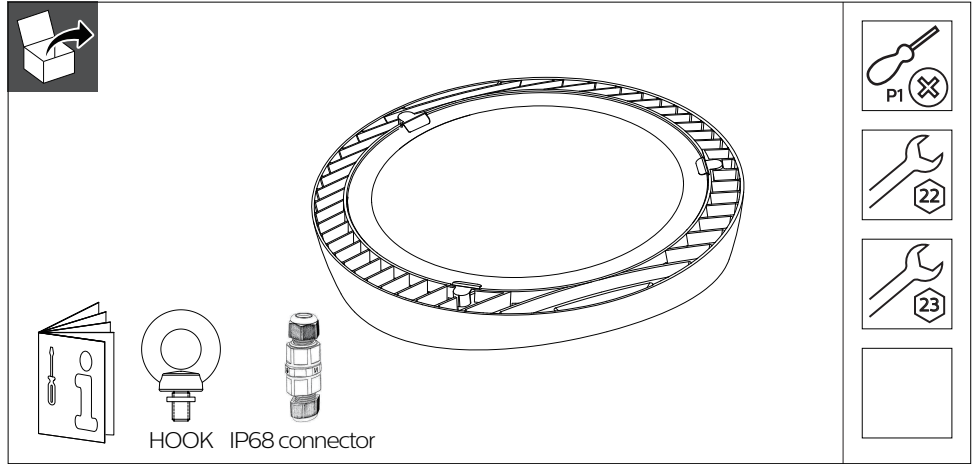




Highbay

BY007P



**Please read these instructions carefully before installing this product.**

Suggest you keep these instructions in a safe places for future reference.

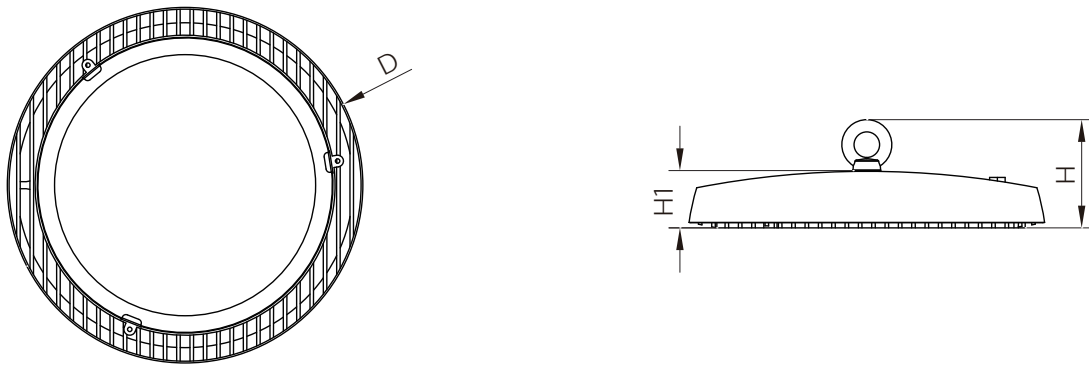
The light source contained in this luminaire shall only be replaced by the manufacturer or his service agent or a similar qualified person.

The external flexible cable or cord of this luminaire cannot be replaced; if the cord is damaged, the luminaire shall be destroyed.

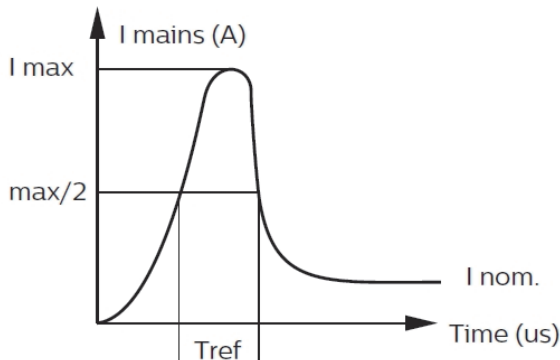
IF IN DOUBT, CONSULT A QUALIFIED ELECTRICIAN.

Description	CCT (K)	P (W)	Dimensions in mm			kg
			D	H1	H	
MAZDA BY007P LED150S/840 PSU WB	4000	150	270	45	100	1.65
MAZDA BY007P LED200S/840 PSU WB		200	320	50	102	2.45

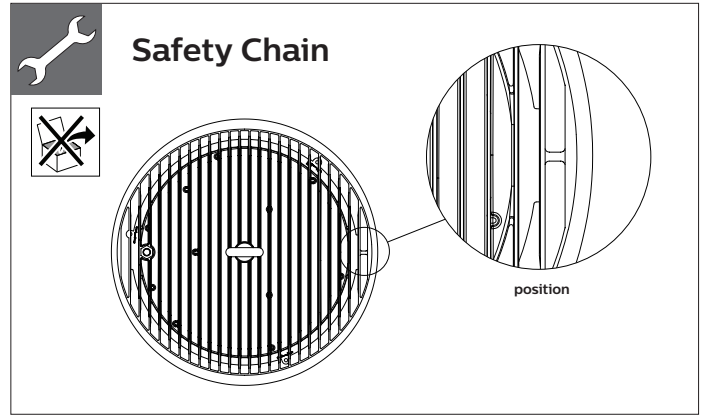
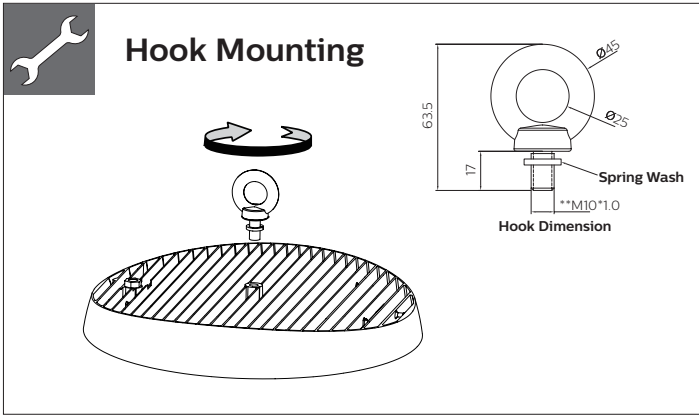
### Dimensions



### Inrush current

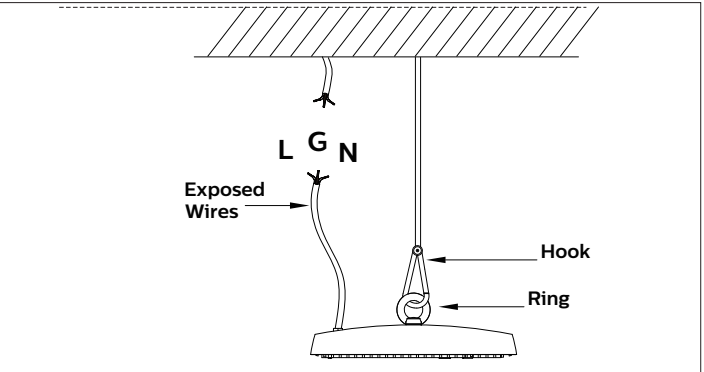


	150W	200W
Electrical characteristics		
I <sub>max</sub> (A)	3.52	3.28
T <sub>ref</sub> (μs)	25.4	26.26
MCB Maximum number of luminaires		
B-16A	13	10
C-16A	15	11



### Installation

1. Turn off the Luminaire before installing.
2. Connect the luminaire to the power supply with the IP68 connector.
3. Turn on Luminaire after installation completed.



### Power cable connection

### Warning

- In case of abnormality, please immediately cut off the power source to avoid fire.
- Do not damage the product or replace the components to avoid electric shock, fire, and accident.
- The Power supply should not exceed the specified limit. (The recommended voltage: 220-240V, frequency: 50/60HZ).
- Long operation and exceeding this voltage range can cause accidents or damage from overheating.
- Do not use or store in corrosive environment with hazardous material e.g. Sulphur, Chlorine, Phthalates, etc.

### Precautions

- Please cut off the Power supply during maintenance, to avoid electric shock.
- Do not place high-temperature items such as electric heating ovens or stoves under this product to avoid fire.
- Do not stare at the operating light source.
- LED light source is different from the light source in general and can not be replaced by the user.
- Do not try to change this light source to avoid a fire.
- LED light sources have color aberrations. Photochromic (light color) and the power of light emitting various products vary from one another.
- This product may cause interference if it is operated near a television or video.
- The operation of electrical equipments using remote control such as air conditioners, may cause malfunctioning of this product.

### CORRECT DISPOSAL OF THIS PRODUCT

This marking indicates that this product should not be disposed with other household wastes throughout the EU. To prevent possible harm to the environment or human health from uncontrolled waste disposal, recycle it responsibly to promote the sustainable reuse of material resources. To return your used device, please use the return and collection systems or contact the retailer where the product was purchased. They can take this product for environmental safe recycling.