



Day-Brite / CFI RHG round high bay is an economical combination of solid performance and quality construction. This product is ideally suited for use in mid to high ceiling applications including commercial areas, high ceiling common areas, and large format retail.

Project: _____
 Location: _____
 Cat.No: _____
 Type: _____
 Qty: _____
 Notes: _____



Ordering guide

Example: RHG1020L8CST-UN3-DIM RHGSM16CLTC

Family	Lumens ¹	Color (CRI/CCT)	Voltage	Driver	Reflector (order as separate line item)
RHG		8CST —	UN3 —	DIM	
RHG Round LED high bay	1020L 10000/14000/20000lm 2533L 25000/30000/33000lm	8CST Color Select 80 CRI (3000K/3500K/4000K CCT)	UN3 Universal voltage 120-347V	DIM 0-10V Dimming	RHGSM16CLTC Round Small 16" Diameter Clear Tufted Coarse Reflector (use with RHG1020L) RHGLG16CLTC Round Large 16" Diameter Clear Tufted Coarse Reflector (use with RHG2533L)

Footnotes

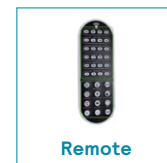
- Nominal delivered lumens at 25°C ambient.
- For areas where luminaires are subject to high impact (gymnasiums, etc), rigid pendant hanging is not to be used. Use hook or cable/chain assembly for mounting in these areas. Surface bracket cannot be used with emergency battery versions.

General Notes

Many luminaire components, such as reflectors, lenses, sockets, lampholders, and LEDs are made from various types of plastics which can be adversely affected by airborne contaminants. If sulfur based chemicals, petroleum based products, cleaning solutions, or other contaminants are expected in the intended area of use, consult factory for compatibility.

Accessories (order separately)

Catalog Numbers	Descriptions
• HCY-SURFACE BKT SM ²	Surface mount bracket
• HCY-SENSOR	Field installed microwave sensor
• HCY-REMOTE	Remote hand-held programmer for HCY-SENSOR
• IHB-EM-DVR-40W-BK ²	Emergency LED Driver, 40W, Black
• IHB-EM-DVR-40W-WH ²	Emergency LED Driver, 40W, White
• IHB-STEM-ADP-M ²	Stem adapter to accept 3/4" trade size conduit (conduit by others)



Not all product variations listed on page are DLC qualified. To ensure that a specific model is qualified, visit www.designlights.org/search

RHG Round high bay

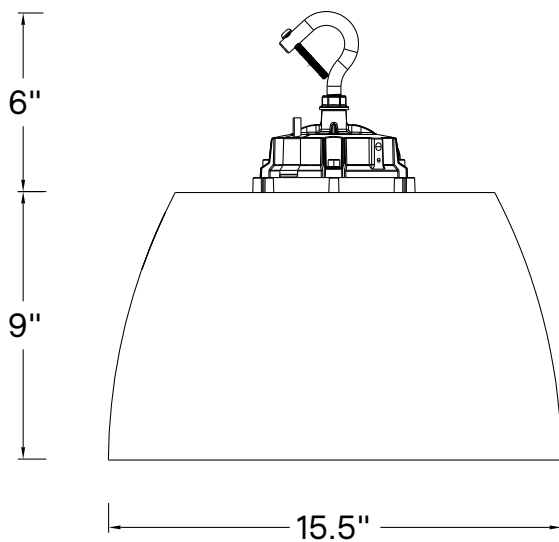
10,000 to 33,000 lumens

Features

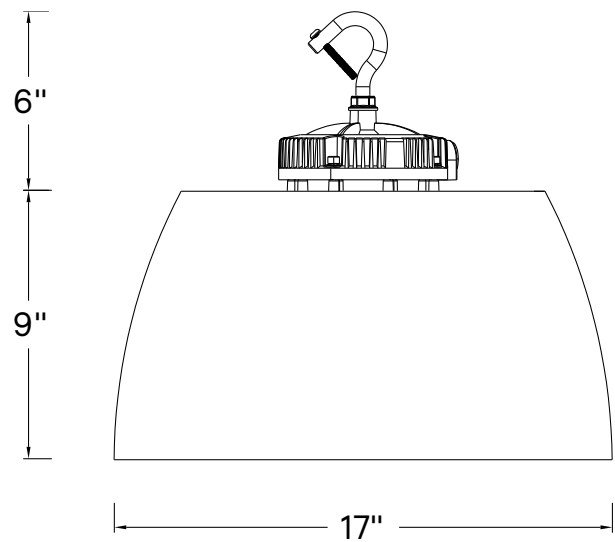
- Die cast aluminum housing.
- Corrosion resistant gloss white paint finish.
- Clear polycarbonate optical cover protects LEDs.
- Heavy duty hook provided for connection to customer-supplied suspension.
- Lumen maintenance up to 70% (L70) > 50,000 hours.
- Luminaire comes standard as field installable sensor ready. Sensor sold separately.
- 3D printed clear tufted reflector provides aesthetic appeal and superior glare control.
- 3D printed products produce less carbon emissions when compared to traditional, conventional luminaires.
- Field CCT selectable for 3000K, 3500K, or 4000K. Factory default setting is 4000K.
- Field selectable lumens. Factory default setting is highest lument output.
- 10ft white power cord and 10ft white dimming cord are standard.
- Complies with FCC Rules and Regulations Part 15 Subpart B Class A.
- Driver surge protection is 6kV L-N and 6kV LN-GND.
- cULus listed.
- Components are RoHS compliant.
- Five year limited luminaire warranty. Visit www.signify.com/warranties for complete warranty information.

Dimensions

RHG1020



RHG2533



RHG Round high bay

10,000 to 33,000 lumens

Photometric Test List

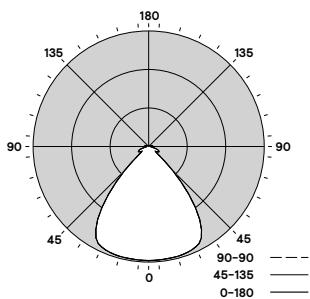
Catalog No.	Delivered Lumens	Input Watts	Efficacy
RHG1020L8CST-UN3-DIM-10L-3000K RHGSM16CLTC	10467	64.3	163
RHG1020L8CST-UN3-DIM-14L-3000K RHGSM16CLTC	13145	79.0	166
RHG1020L8CST-UN3-DIM-20L-3000K RHGSM16CLTC	16893	102.1	165
RHG1020L8CST-UN3-DIM-10L-3500K RHGSM16CLTC	10653	63.7	167
RHG1020L8CST-UN3-DIM-14L-3500K RHGSM16CLTC	14242	82.4	173
RHG1020L8CST-UN3-DIM-20L-3500K RHGSM16CLTC	17448	100.5	174
RHG1020L8CST-UN3-DIM-10L-4000K RHGSM16CLTC	10058	57.6	175
RHG1020L8CST-UN3-DIM-14L-4000K RHGSM16CLTC	13638	78.7	173
RHG1020L8CST-UN3-DIM-20L-4000K RHGSM16CLTC	17534	101.8	172

Catalog No.	Delivered Lumens	Input Watts	Efficacy
RHG2533L8CST-UN3-DIM-25L-3000K RHGLG16CLTC	23600	139.8	169
RHG2533L8CST-UN3-DIM-30L-3000K RHGLG16CLTC	28230	169.7	166
RHG2533L8CST-UN3-DIM-33L-3000K RHGLG16CLTC	30145	181.4	166
RHG2533L8CST-UN3-DIM-25L-3500K RHGLG16CLTC	24184	137.6	176
RHG2533L8CST-UN3-DIM-30L-3500K RHGLG16CLTC	29301	166.7	176
RHG2533L8CST-UN3-DIM-33L-3500K RHGLG16CLTC	31175	178.3	175
RHG2533L8CST-UN3-DIM-25L-4000K RHGLG16CLTC	24243	139.6	174
RHG2533L8CST-UN3-DIM-30L-4000K RHGLG16CLTC	29152	169.8	172
RHG2533L8CST-UN3-DIM-33L-4000K RHGLG16CLTC	31130	181.6	171

Photometry

RHG1020L8CST-UN3-DIM RHGSM16CLTC

Luminaire Lumens 10059
 Luminaire Efficacy Rating (LER) 175
 Total Luminaire Watts 57.6
 Spacing Criterion (0-180) 1.30



Candela Distribution						Flux
	0	45	90	135	180	Lumens
0	5327	5327	5327	5327	5327	
5	5322	5322	5322	5322	5322	508
15	5308	5308	5308	5308	5308	1502
25	5184	5184	5184	5184	5184	2386
35	4157	4157	4157	4157	4157	2535
45	1602	1602	1602	1602	1602	1250
55	393	393	393	393	393	400
65	530	530	530	530	530	511
75	288	288	288	288	288	309
85	105	105	105	105	105	121
90	102	102	102	102	102	
95	151	151	151	151	151	161
105	143	143	143	143	143	151
115	67	67	67	67	67	70
125	48	48	48	48	48	44
135	52	52	52	52	52	40
145	57	57	57	57	57	35
155	53	53	53	53	53	24
165	35	35	35	35	35	10
175	21	21	21	21	21	2
180	19	19	19	19	19	

Zonal Lumen Summary			
Zone	Lumens	%Fixture	%Lamp
0-30	4395	43.7%	43.7%
0-40	6930	68.9%	68.9%
0-60	8579	85.3%	85.3%
0-90	9522	94.7%	94.7%
90-180	537	5.3%	5.3%
0-180	10059	100.0%	100.0%

Avg. Luminance (cd/m ²)			
	0	45	90
45	69119	69119	69119
55	20914	20914	20914
65	38272	38272	38272
75	33897	33897	33897
85	36751	36751	36751

Coefficients of Utilization % (Based on a floor reflectance of 0.2)											
RCR	80				70				50		0
	Pc---	70	50	30	10	70	50	30	50	30	10
0	118	118	118	118	114	114	114	108	108	108	95
1	110	106	103	100	107	103	100	98	96	93	84
2	102	96	90	86	99	93	88	89	85	82	74
3	95	87	80	75	92	85	79	81	76	72	66
4	89	79	72	66	86	77	71	74	69	64	60
5	83	72	65	59	81	71	64	68	62	58	54
6	78	66	59	54	76	65	58	63	57	52	49
7	73	61	54	49	71	60	53	58	52	48	45
8	68	57	49	44	67	56	49	54	48	44	41
9	64	53	45	41	63	52	45	50	44	40	37
10	61	49	42	37	59	48	42	47	41	37	35

* Based on a floor reflectance of 0.2

RHG Round high bay

10,000 to 33,000 lumens

Default sensor setting

Brightness	100%	Hold time	1min
Stand-by dim	20%	Stand-by time	1min
Sensitivity	100%	Daylight	Off

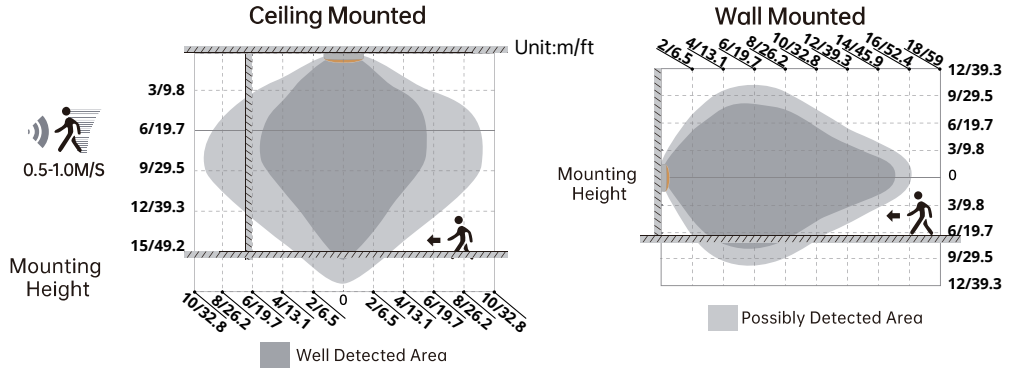
Microwave sensor specifications

Microwave Frequency
5.8GHz±75MHz

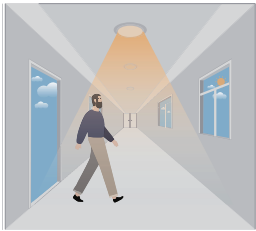
Microwave Power
<0.3mW

Detection Range
Max,Ø14m/45.92ft Ceiling Mounted

Mounting Height
Max,15m/49.2ft Ceiling Mounted



Automatically ON/OFF function



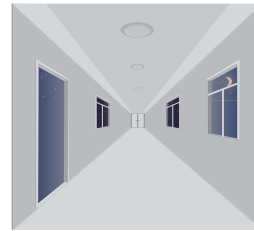
The sensor turns light ON when motion gets detected.



After there's no motion detected, the sensor keeps light ON 100% for hold time.



After hold time, sensor dims light to standby dimming level for standby time.



The sensor turns OFF light automatically after the standby time when there's no motion detected.