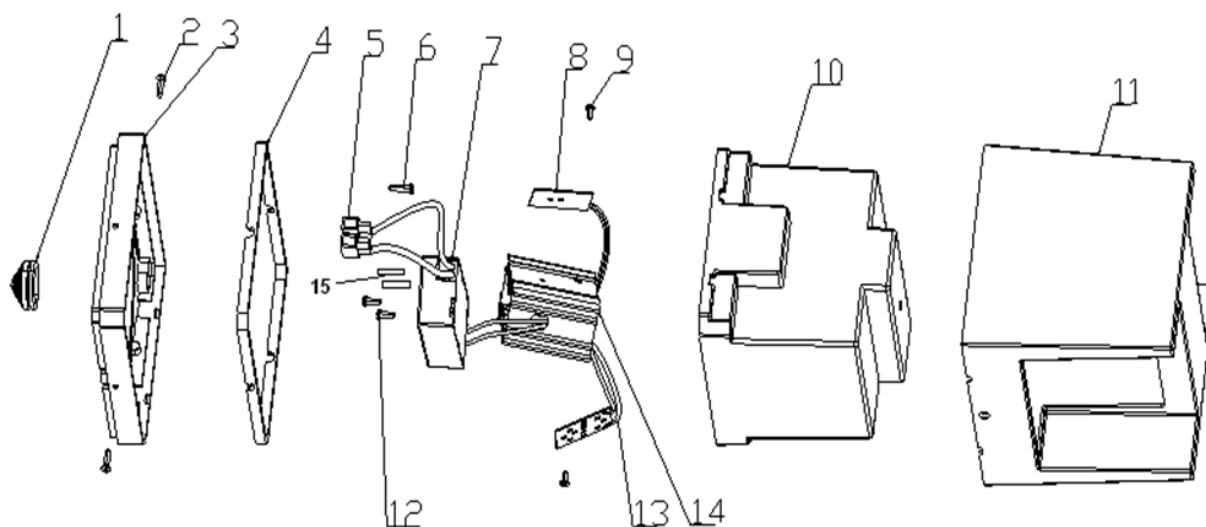


Dismantling Recommendation on Disposal at End of Life

Composition Explanation



No.	Components	Specifications	Unit	Quantity
1	φ27 gromet	TPE	PCS	1
2	BT3*10 screw	SS 304	PCS	2
3	G03166 16OU1 wall plate	ABS	PCS	1
4	G03166 16OU1 gasket	Rubber	PCS	1
5	Terminal block	PA10	PCS	1
6	ST2.9*14 screw	Zinc coated	PCS	1
7	PYS-10-350 10W driver		PCS	1
8	YL20-6-8DB4W-C006		PCS	2
9	M3*5 screw	Zinc coated	PCS	2
10	G03186 16OU1 diffuser	PP,HJ730	PCS	1
11	G03186 16OU1 body	ADC12	PCS	1
12	BT2.9*8 screw	Zinc coated	PCS	2
13	VDE white wire	VDE H05 S-K 1X0.75MM ²	PCS	1
14	G03316 16OU1 heat sink	6063	PCS	1

Dismantling Recommendation on Disposal at End of Life

Dismantling

- Type: Without permanent damage

Recommendation on Disposal

- Plastic part: Reuse and Recycling
- Electrical part: Incineration and disposal
- Metal part: Recycling

