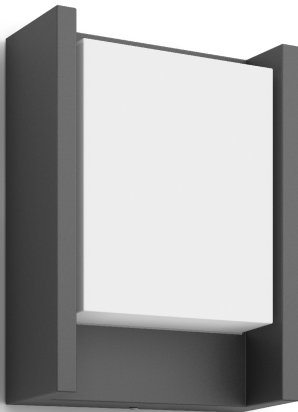


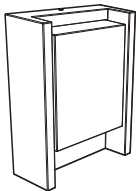
# PHILIPS

Arbour Ultra Efficient  
9290032659

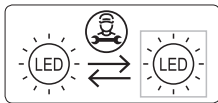
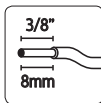
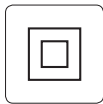
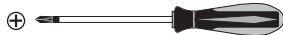
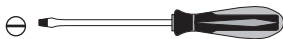
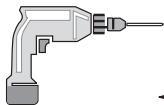


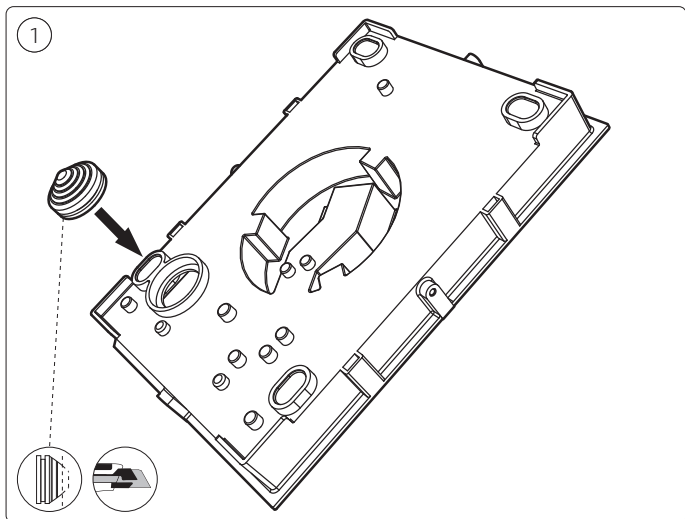
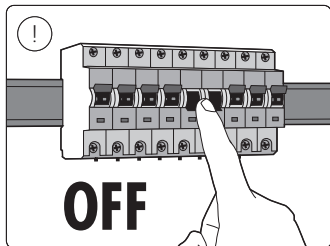
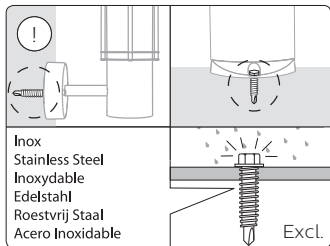
User manual  
Benutzerhandbuch  
Notice d'emploi  
Manual de usuario  
Manual do usuário  
Manuale d'uso  
Gebruiksaanwijzing

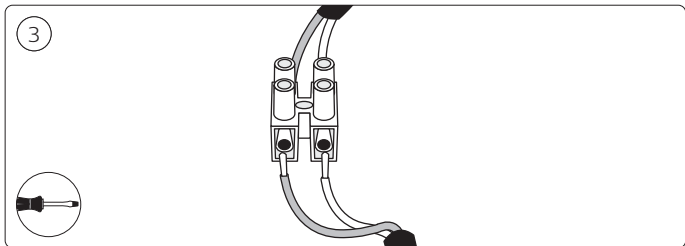
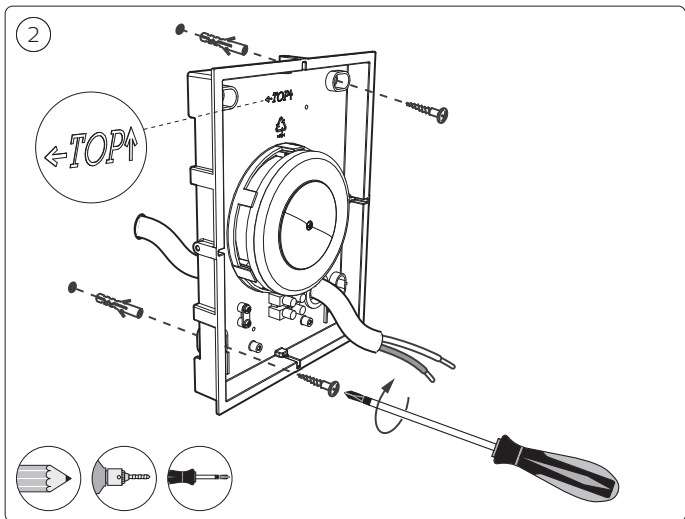
Incl.

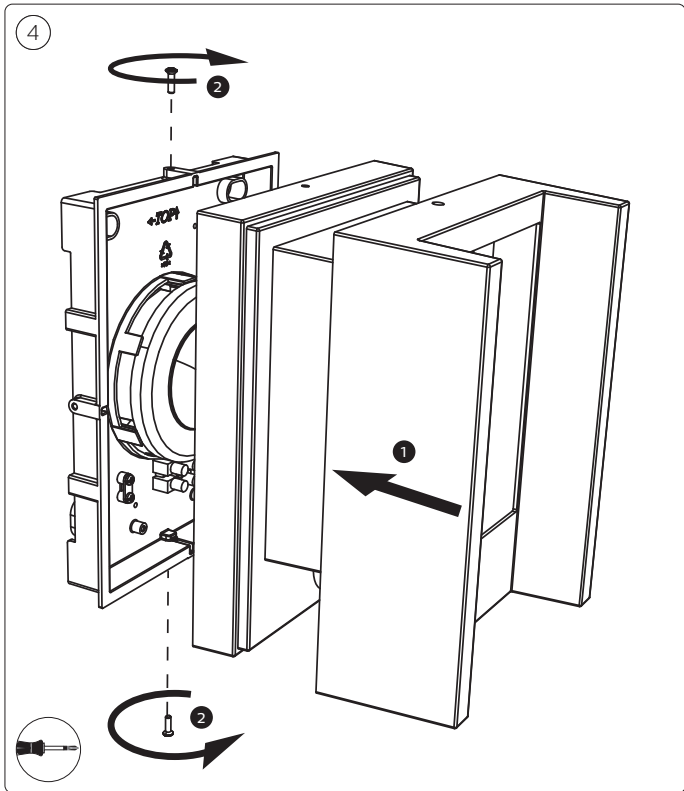


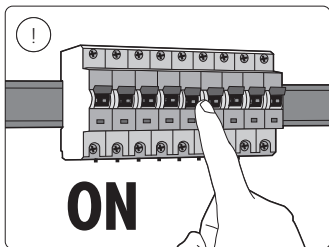
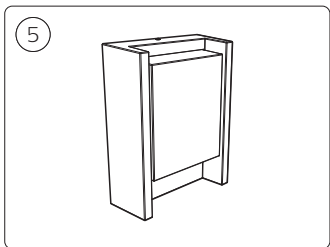
Excl.













Signify Commercial UK Limited  
Unit 3, Guildford Business Park,  
Guildford, Surrey, GU2 8XG, UK

Signify  
I.B.R.S. / C.C.R.I. Numéro 10461  
5600 VB Eindhoven,  
the Netherlands  
☎00800-74454775

Philips and the Philips Shield Emblem are registered trademarks  
of Koninklijke Philips N.V. and are used under license

3241 659 63131  
[www.philips.com/lighting](http://www.philips.com/lighting)

© 2022 Signify Holding

 **signify**