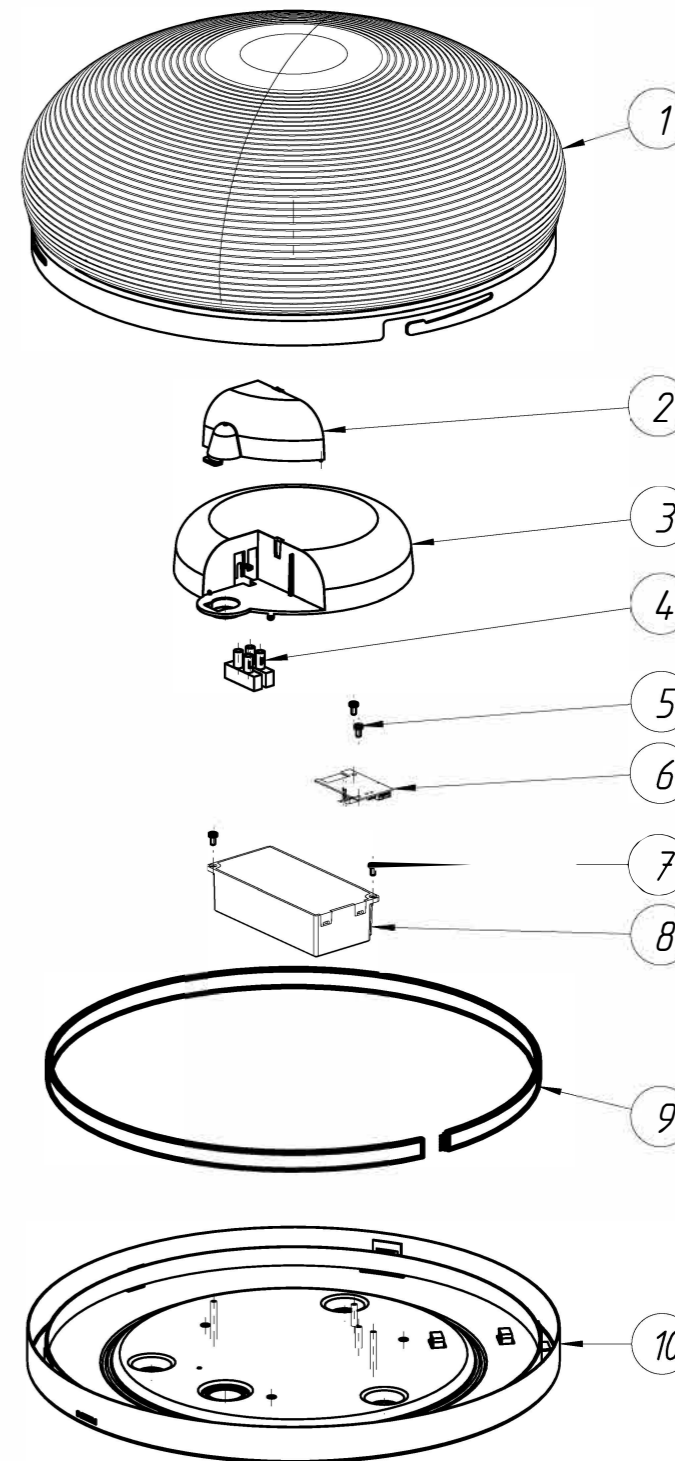


PHILIPS hue

Warnings

Always make sure the luminaire is detached from the mains socket
 Always make sure the DC cable is detached from the power supply
 Staring at the operating light source may cause eye injury



#	Disassemble/dismantle steps	Tools needed
a	Remove the glass (1) from the base (10) by turning counter clockwise	-
b	Remove cover 1 (2)	FLATHEAD SCREWDRIVER
c	Remove cover 2 (3) by unclicking	-
d	Remove terminal block (4) by unclicking	-
e	Remove screws (5) from the LIGHT SOURCE - HUE CONNECT (6)	TORXHEAD SCREW DRIVER T10
f	Remove screws (7) from the CONTROL GEAR - PSU (8)	TORXHEAD SCREW DRIVER T10
g	Remove low voltage wires of the cable of LIGHT SOURCE - HUE CONNECT (6)	FLATHEAD SCREWDRIVER OR WAGO TOOL #2065
h	Remove low voltage wires of the LIGHT SOURCE - LED STRIP (9)	-
i	Remove LIGHT SOURCE-LIGHT STRIP (9)	See document: 200604 - Instruction LED Strip Removal Procedure

- A specific Wago tool #2065 can be ordered separately for wire insertion and release tool:



#	COMPONENT	QTY
1	GLASS	1
2	COVER 1	1
3	COVER 2	1
4	TERMINAL BLOCK	1
5	SCREW	2
6	LIGHT SOURCE - HUE CONNECT	1
7	SCREW	2
8	CONTROL GEAR - PSU	1
9	LIGHT SOURCE - LED STRIP	1
10	BASE	1

SKU	Color	Country
929003053501	White	EU/UK

STATUS	FLOURISH Hue ceiling 32W 24V Disassembly instruction		DESIGN ID	01	2021-07-09
NAME	He Go	LOCAL PART ID	SH.	2	A3-L
CHECKED		DATE	2021-07-09		

