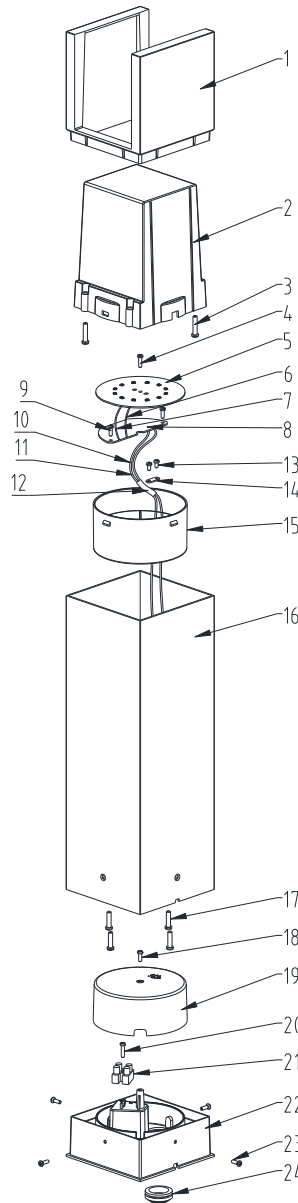


## Dismantling Recommendation on Disposal at End of Life

### Composition Explanation



# Dismantling Recommendation on Disposal at End of Life

## Composition Explanation

No.	Components	Specifications	Unit	Quantity
1	Head	AL	PCS	1
2	Diffuser	PC	PCS	1
3	M4*22 screw	Zinc coated	PCS	2
4	BT2.9*6 screw	Zinc coated	PCS	1
5	L2		PCS	1
6	VDE black wire	H05S-K,1*0.5mm <sup>2</sup>	PCS	1
7	VDE red wire	H05S-K,1*0.5mm <sup>2</sup>	PCS	1
8	Driver		PCS	1
9	BT 2.9*6 screw	Zinc coated	PCS	2
10	Brown wire	H05SS-K,1*0.75mm <sup>2</sup>	PCS	1
11	Blue wire	H05SS-K,1*0.75mm <sup>2</sup>	PCS	1
12	Heat shrinkable tube		PCS	1
13	BT2.9*8 screw	Zinc coated	PCS	2
14	Strain relief	PA	PCS	1
15	Inner base	ABS	PCS	1
16	Tube	Al	PCS	1
17	M4*65 screw	Zinc coated	PCS	2
18	ST2.9*16 screw	Zinc coated	PCS	1
19	Cover	PA	PCS	1
20	ST2.9*14 screw	Zinc coated	PCS	1
21	Terminal block		PCS	1
22	Base	PA	PCS	1
23	BT3*10 screw	SS	PCS	1
24	Gromet	TPE	PCS	1

## Dismantling Recommendation on Disposal at End of Life

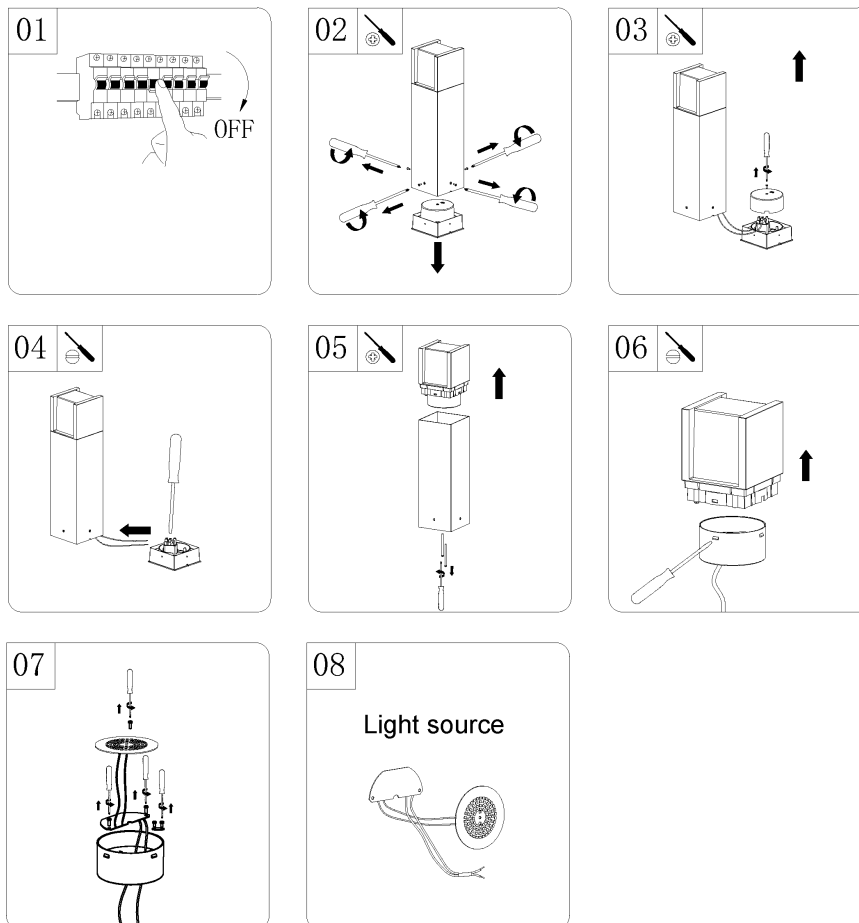
### Dismantling

- Type: Without permanent damage

### Recommendation on Disposal

- Plastic part: Reuse and Recycling
- Electrical part: Incineration and disposal
- Metal part: Recycling

### Light source dismantling process



## Dismantling Recommendation on Disposal at End of Life

### New Light Source Assembly Instruction:

