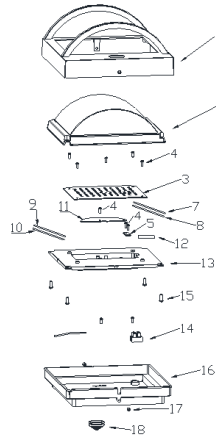


Dismantling Recommendation on Disposal at End of Life

Composition Explanation



No.	Components	Specifications	Unit	Quantity
1	Body	AL	PCS	1
2	Diffuser	PP	PCS	1
3	L2		PCS	1
4	BT2.9*8screw	Zinc coated	PCS	8
5	plastic board		PCS	1
7	VDE red wire	H05S-K 0.5mm ²	PCS	1
8	VDE black wire	H05S-K 0.5mm ²	PCS	1
9	VDE brown wire	H05S-K 0.75mm ²	PCS	1
10	VDE blue wire	H05S-K 0.75mm ²	PCS	1
11	Driver		PCS	1
12	Ø5 heat shrinkable tube		M	0.03
13	Diffuser	PA	PCS	1
14	Terminal block	PA10	PCS	1
15	M4*10 screw	Zinc coated	PCS	4
16	plastic board	ABS	PCS	1
17	BT3*10 screw	Zinc coated	PCS	2
18	Gromet	TPE	PCS	1

Dismantling Recommendation on Disposal at End of Life

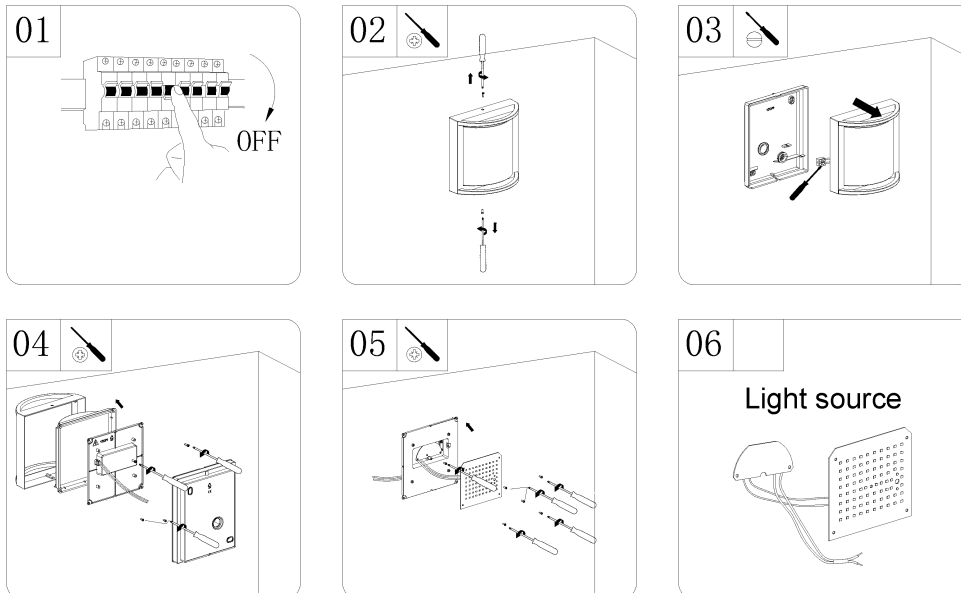
Dismantling

- Type: Without permanent damage

Recommendation on Disposal

- Plastic part: Reuse and Recycling
- Electrical part: Incineration and disposal
- Metal part: Recycling

Light source dismantling process



Dismantling Recommendation on Disposal at End of Life

New Light Source Assembly Instruction:

