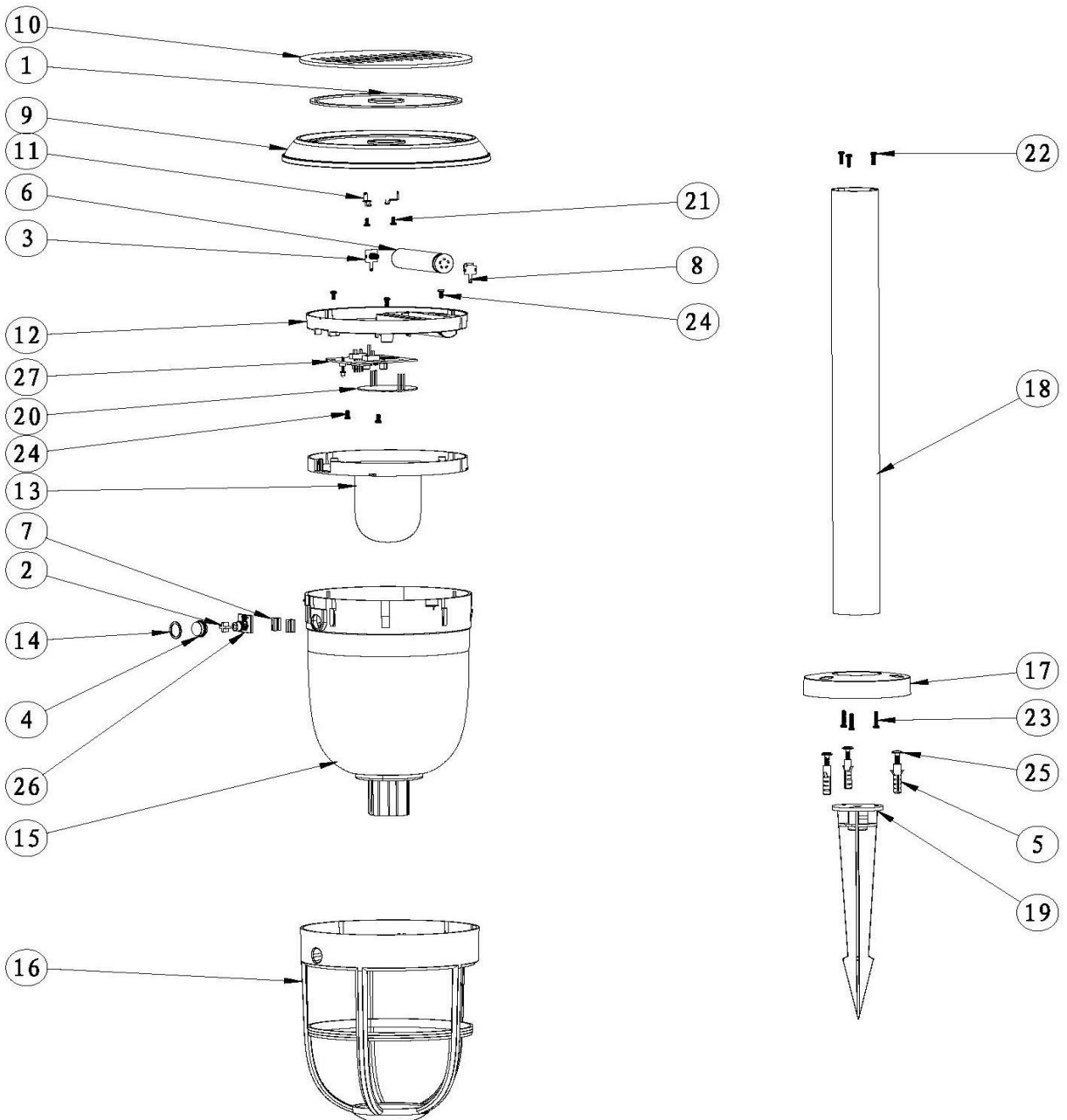


## Dismantling Recommendation on Disposal at End of Life

### Composition Explanation



# Dismantling Recommendation on Disposal at End of Life

## Composition Explanation

No.	Components	Specifications	Unit	Quantity
1	silicone glue	silicone	ML	3
2	5mm Induction Head Mount	ABS	PCS	1
3	Negative Pole Shrapnel	copper	PCS	1
4	Lens (with holder)	PE	PCS	1
5	Φ6 pellet	PE	PCS	3
6	li-ion battery	/	PCS	1
7	Circuit Board Holder	ABS	PCS	2
8	Positive Pole Shrapnel	copper	PCS	1
9	roof	PC	PCS	1
10	solar panel	Photovoltaic glass	PCS	1
11	Solar Panel Shrapnel	copper	PCS	2
12	battery compartment	PC	PCS	1
13	cover of lamp	PC	PCS	1
14	Sensor Rubber Ring	silicone	PCS	1
15	transparent cover	PC	PCS	1
16	cover of lamp	PC	PCS	1
17	underlay	PC	PCS	1
18	light pole	PC	PCS	1
19	ground insertion	PC	PCS	1
20	LED Light Panel	/	PCS	1
21	2.6x6 screws	nickel-plated	PCS	2
22	3x10 screws	nickel-plated	PCS	3
23	3x14 screws	stainless steels	PCS	3
24	3x6 screws	nickel-plated	PCS	5
25	4x35 screws	stainless steels	PCS	3
26	Sensor Signal Board	/	PCS	1
27	control board	/	PCS	1

# Dismantling Recommendation on Disposal at End of Life

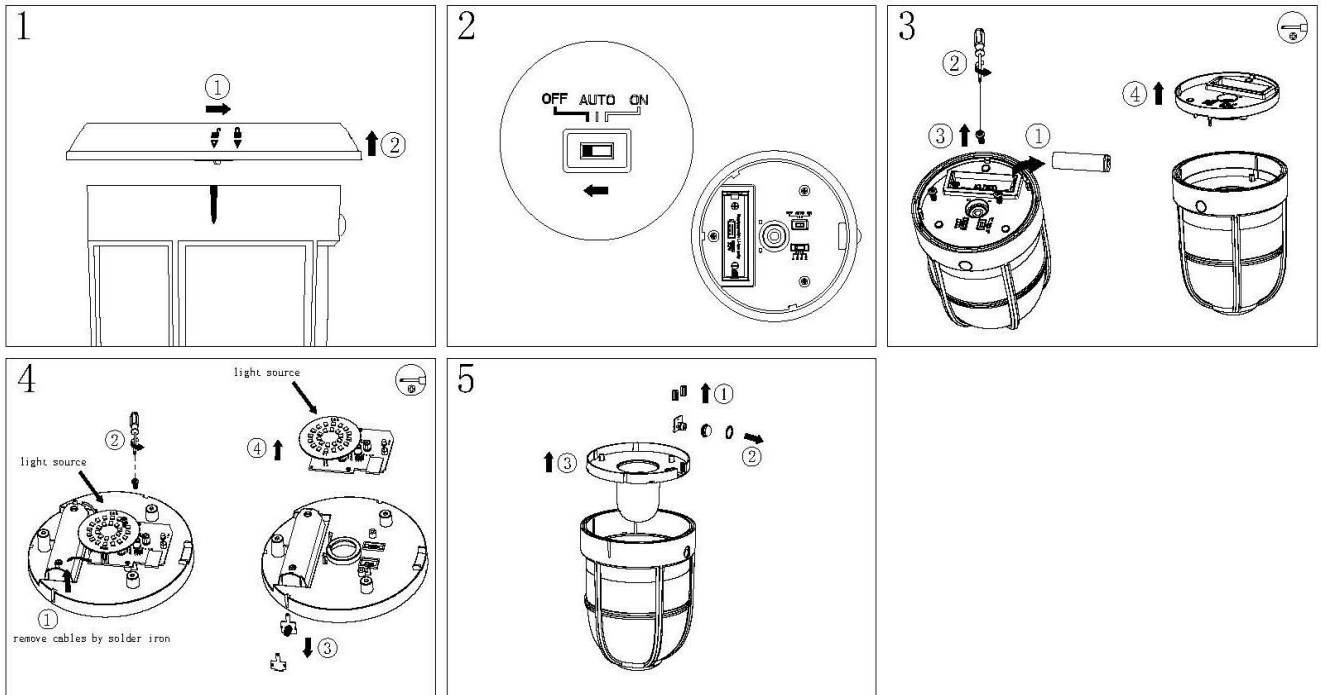
## Dismantling

- Type: Without permanent damage

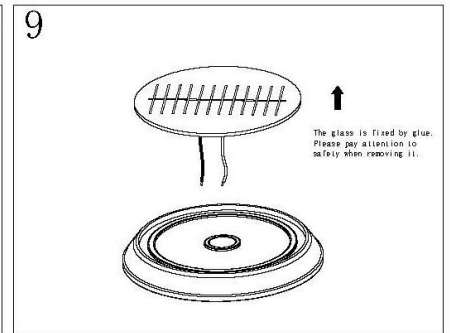
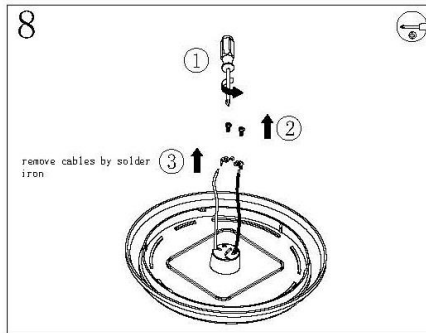
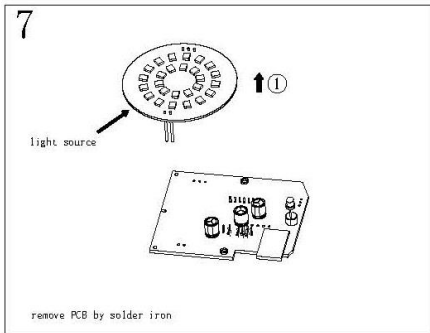
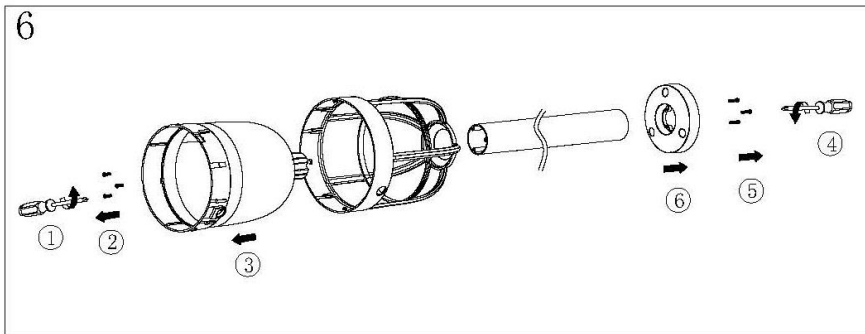
## Recommendation on Disposal

- Plastic part: Reuse and Recycling
- Electrical part: Incineration and disposal
- Metal part: Recycling

## Dismantling process



## Dismantling Recommendation on Disposal at End of Life



## Replace light source

