

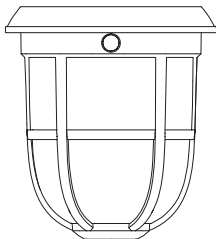
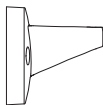
# PHILIPS

Radii Ultra Efficient  
9290040670



User manual  
Benutzerhandbuch  
Notice d'emploi  
Manual de usuario  
Manual do usuário  
Manuale d'uso  
Gebruiksaanwijzing

Incl.



x1

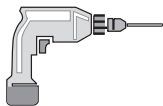


x2

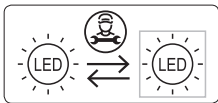
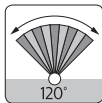
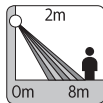
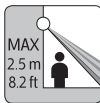


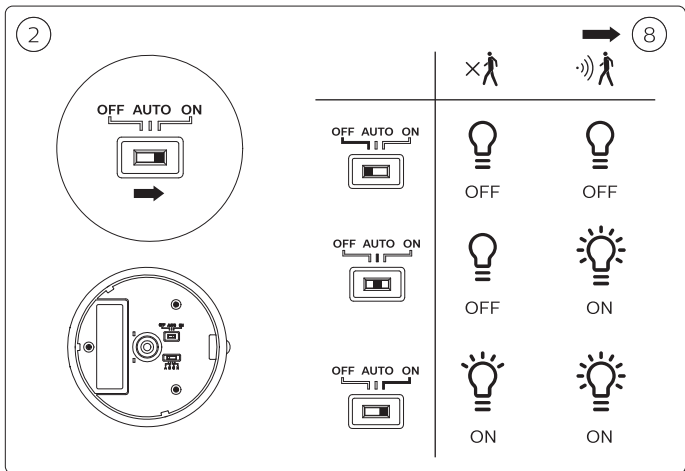
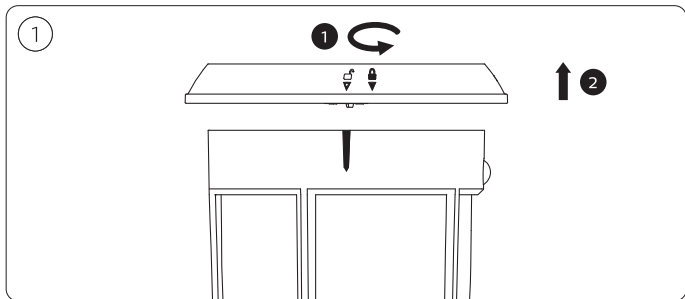
x2

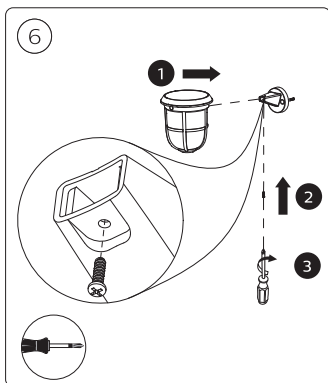
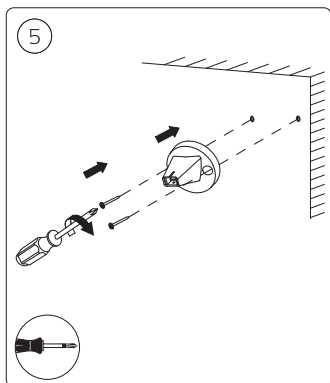
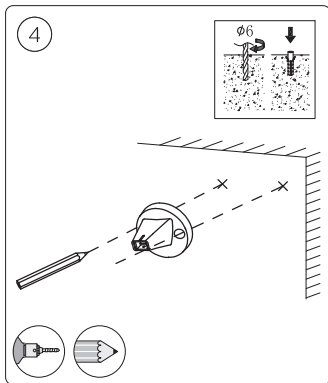
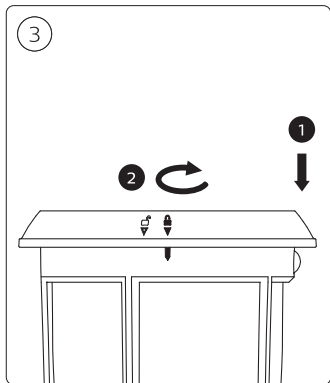
Excl.



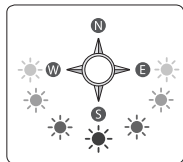
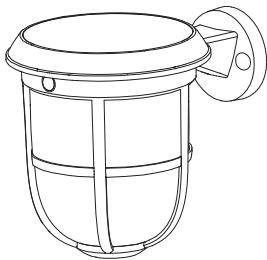
IP44







7

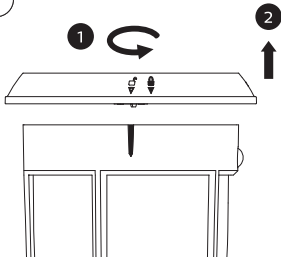


8

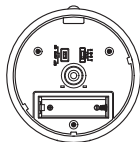


## Replace Battery

①



②



18650/3.7V Li-ion/1800mAh

③





Signify Commercial UK Limited  
Unit 3, Guildford Business Park,  
Guildford, Surrey, GU2 8XG, UK

Signify  
I.B.R.S. / C.C.R.I. Numéro 10461  
5600 VB Eindhoven,  
the Netherlands  
☎00800-74454775

Philips and the Philips Shield Emblem are registered trademarks  
of Koninklijke Philips N.V. and are used under license

3241 661 00291  
[www.philips.com/lighting](http://www.philips.com/lighting)

© 2023 Signify Holding

The Signify logo, which consists of a stylized 'S' inside a circle followed by the word "signify" in a lowercase, sans-serif font.