



Essential SmartBright LED spot

LEDSpot 35W DS ND MR16 12V 60D 1CT/6 AU

3CCT dip switch combines 3 color temperature into one lamp and targets retailers who want to keep portfolio on the shelf and the inventory in warehouse as less as possible and ensures end users buy right lamps

Product data

General Information	
Cap-Base	GU5.3
Nominal lifetime	15,000 h
Switching Cycle	50,000
Rated Lifetime (Hours)	15,000 h
Lighting Technology	LED
Light Technical	
Color Code	3000/4000/6500
Color Code	3000/4000/6500
Beam Angle (Nom)	60 degree(s)
Luminous Intensity (Nom)	330 cd
Color Designation	3000/4000/6500
Luminous Efficacy (rated) (Nom)	100 lm/W
Correlated Color Temperature (Nom)	3000 4000 6500 K
Color Consistency	<6
Color rendering index (CRI)	80
LLMF At End Of Nominal Lifetime (Nom)	70 %
Operating and Electrical	
Line Frequency	- Hz

Input Frequency	- Hz
Power Consumption	4 W
Lamp Current (Nom)	500 mA
Wattage Equivalent	35 W
Starting Time (Nom)	0.5 s
Warm-up time to 60% light	0.5 s
Power Factor (Fraction)	0.5
Voltage (Nom)	ac electronic 12 V
Temperature	
Ambient temperature range	-20 °C to 45 °C
T-Case Maximum (Nom)	58 °C
Controls and Dimming	
Dimmable	No
Mechanical and Housing	
Bulb Finish	Clear
Bulb Material	Plastic
Bulb Shape	MR16

Essential SmartBright LED spot

Approval and Application

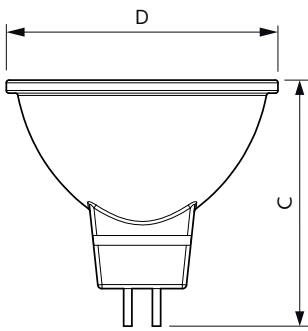
Suitable For Accent Lighting	Yes
EU RoHS compliant	Yes
EyeComfort	Yes
LED Innovations	EyeComfort

Product Data

Order product name	LEDSpot 35W DS ND MR16 12V 60D 1CT/6 AU
Full product name	LEDSpot 35W DS ND MR16 12V 60D 1CT/6 AU
Full product code	871951447901200

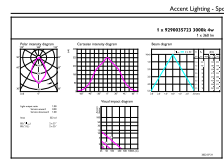
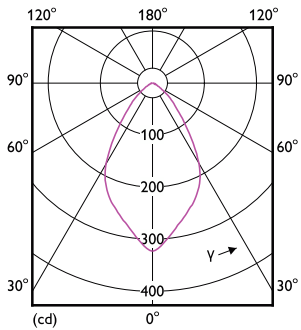
Order code	929003572319
Material Nr. (12NC)	929003572319
Numerator - Quantity Per Pack	1
Net Weight (Piece)	0.026 kg
EAN/UPC - Product/Case	8719514479012
Numerator - Packs per outer box	6
EAN/UPC - Case	8719514479029

Dimensional drawing



Product	D	C
LEDSpot 35W DS ND MR16 12V 60D 1CT/6 AU	50 mm	45 mm

Photometric data

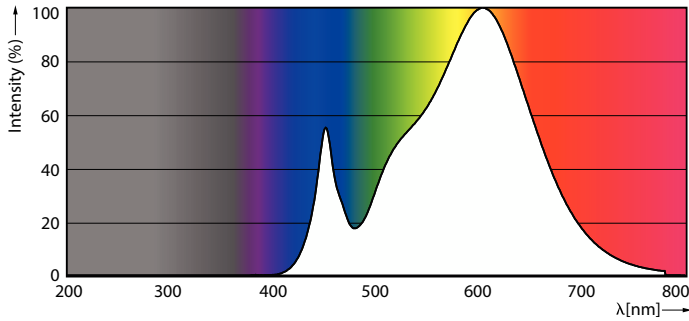


Light Distribution Diagram - LEDSpot 35W DS ND MR16 12V 60D 1CT/6 AU

Accent Lighting Spots - LEDSpot 35W DS ND MR16 12V 60D 1CT/6 AU

Essential SmartBright LED spot

Photometric data

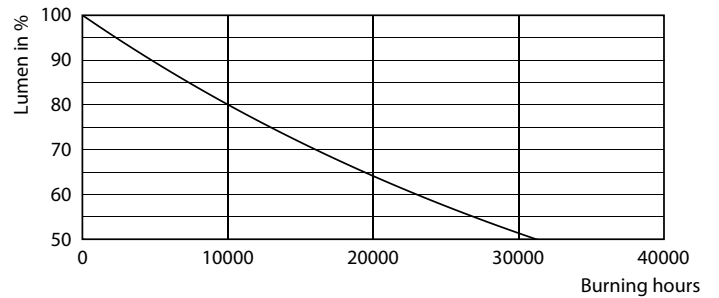


Spectral Power Distribution Colour - LEDSpot 35W DS ND MR16 12V 60D
1CT/6 AU

Lifetime



Life Expectancy Diagram



Lumen Maintenance Diagram - LEDSpot 35W DS ND MR16 12V 60D 1CT/6
AU

