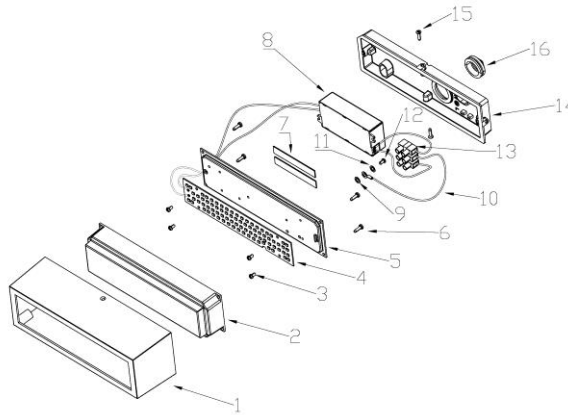


# Dismantling Recommendation on Disposal at End of Life

## Composition Explanation



No.	Components	Specifications	Unit	Quantity
1	aluminium enclosure	ZL102	PCS	1
2	Diffuser	PC	PCS	1
3	M3*5 screw	Zinc coated	PCS	4
4	L2		PCS	1
5	aluminium product	6063	PCS	1
6	M3*8 screw	Zinc coated	PCS	4
7	glue		PCS	2
8	Driver		PCS	1
9	φ4gasket	ss	PCS	1
10	VDE yellow and green wire	H05V-K 0.75mm <sup>2</sup>	PCS	1
11	φ4gasket	Zinc coated	PCS	1
12	M4*8 screw	Zinc coated	PCS	2
13	Terminal block	PA10	PCS	1
14	Bottom	ABS	PCS	1
15	Gromet	TPE	PCS	1

## Dismantling Recommendation on Disposal at End of Life

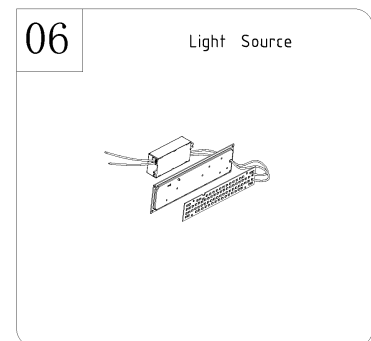
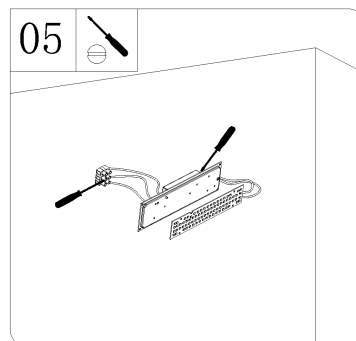
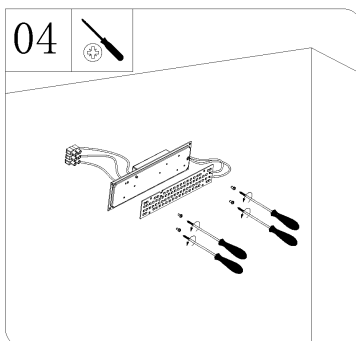
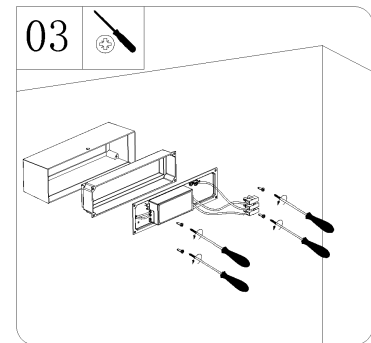
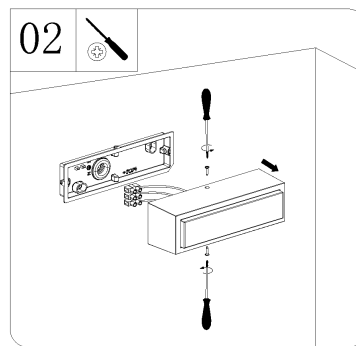
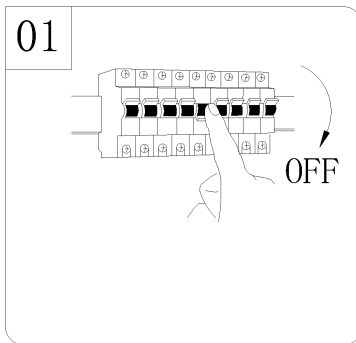
### Dismantling

- Type: Without permanent damage

### Recommendation on Disposal

- Plastic part: Reuse and Recycling
- Electrical part: Incineration and disposal
- Metal part: Recycling

### Light source dismantling process



## Dismantling Recommendation on Disposal at End of Life

New Light Source Assembly Instruction:

