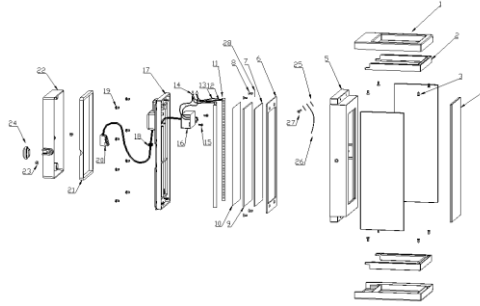


## Dismantling Recommendation on Disposal at End of Life

### Composition Explanation



No.	Components	Specifications	Unit	Quantity
1	Body	AL	PCS	1
2	plastic parts	ABS	PCS	1
3	M3*8 screw	Zinc coated	PCS	8
4	glass		PCS	3
5	Body	AL	PCS	1
6	Gasket	Rubber	PCS	1
7	diffusion plate	PC	PCS	1
8	M4*8 screw	Zinc coated	PCS	1
9	diffusion plate	PC	PCS	1
10	reflective sheet		PCS	1
11	L2		PCS	1
12	VDE red wire	H05S-K,1*0.5mm <sup>2</sup>	PCS	1
13	VDE black wire	H05S-K,1*0.5mm <sup>2</sup>	PCS	1
14	Sensor		PCS	2
15	BT2.9*6screw	Zinc coated	PCS	1
16	Driver		PCS	1
17	plastic parts	ABS	PCS	1
18	Gasket	Rubber	PCS	1
19	M4*8 screw	Zinc coated	PCS	1
20	amphenol connector		PCS	1
21	Gasket	Rubber	PCS	1
22	Wall plate	PA6	PCS	1
23	M4*10screw	Zinc coated	PCS	2
24	Gasket	Rubber	PCS	1
25	Φ4 teeth washer	Zinc coated	PCS	2
26	Earthing wire	H05V-K 1*0.75MM <sup>2</sup>	PCS	1
27	M4*8screw	Zinc coated	PCS	2
28	Φ4 teeth washer	SS	PCS	1

## Dismantling Recommendation on Disposal at End of Life

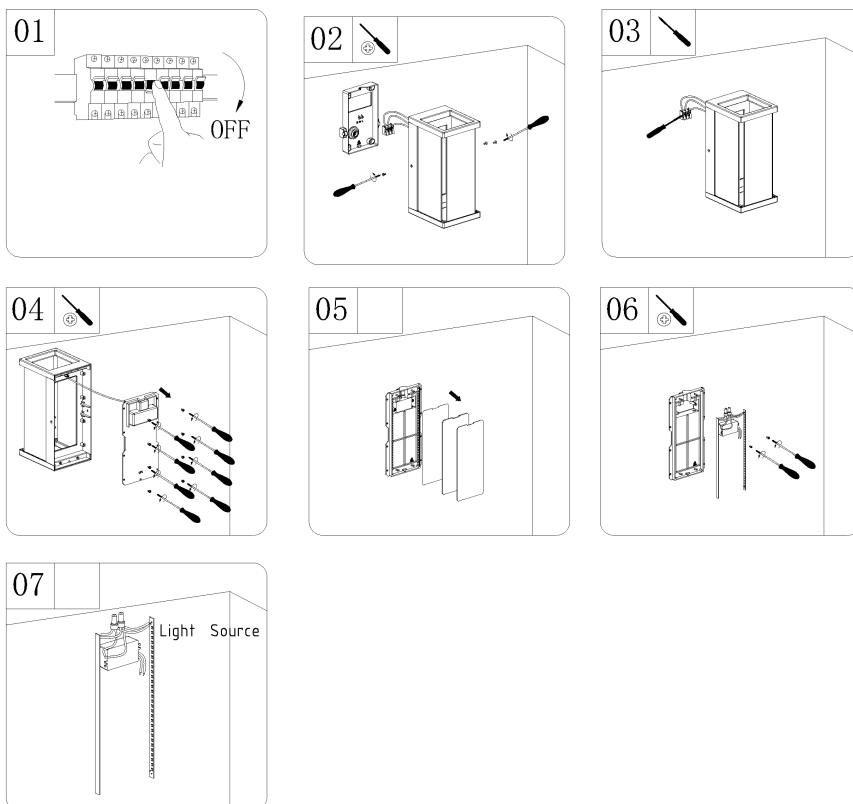
### Dismantling

- Type: Without permanent damage

### Recommendation on Disposal

- Plastic part: Reuse and Recycling
- Electrical part: Incineration and disposal
- Metal part: Recycling

### Light source dismantling process



## Dismantling Recommendation on Disposal at End of Life

New Light Source Assembly Instruction:

