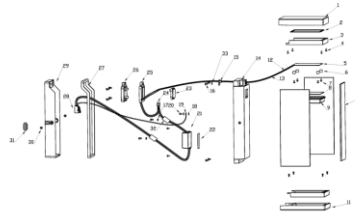


Dismantling Recommendation on Disposal at End of Life

Composition Explanation



No.	Components	Specifications	Unit	Quantity
1	Body	AL	PCS	1
2	Gasket	Rubber	PCS	1
3	plastic parts	ABS	PCS	1
4	M3*8 screw	Zinc coated	PCS	8
5	L2		PCS	1
6	plastic parts	PC	PCS	1
7	M3*5 screw	Zinc coated	PCS	14
8	plastic parts	PC	PCS	1
9	Diffuser	PC	PCS	1
10	glass		PCS	3
11	body	AL	PCS	1
12	VDE red wire	H05S-K,1*0.5mm ²	PCS	1
13	VDE black wire	H05S-K,1*0.5mm ²	PCS	1
14	body	AL	PCS	1
15	Gasket	Rubber	PCS	1
16	M4*10 screw	Zinc coated	PCS	4
17	plastic board	PA	PCS	2
18	Φ4 teeth washer	Zinc coated	PCS	2
19	Earthing wire	H05V-K 1*0.75MM ²	PCS	1
20	M4*8screw	Zinc coated	PCS	1
21	Driver		PCS	1
22	double faced adhesive tape	0.05	M	2
23	plastic parts	ABS	PCS	1
24	wire joint		PCS	2
25	Gasket	Rubber	PCS	1
26	plastic parts	ABS	PCS	1
27	Gasket	Rubber	PCS	1
28	amphenol connector		PCS	1
29	Wall plate	PC	PCS	1
30	BT3*10 screw	SS	PCS	2
31	Gasket	Rubber	PCS	1
32	Ø5 heat shrinkable tube		M	0.03
33	Φ4 teeth washer	Zinc coated	PCS	1

Dismantling Recommendation on Disposal at End of Life

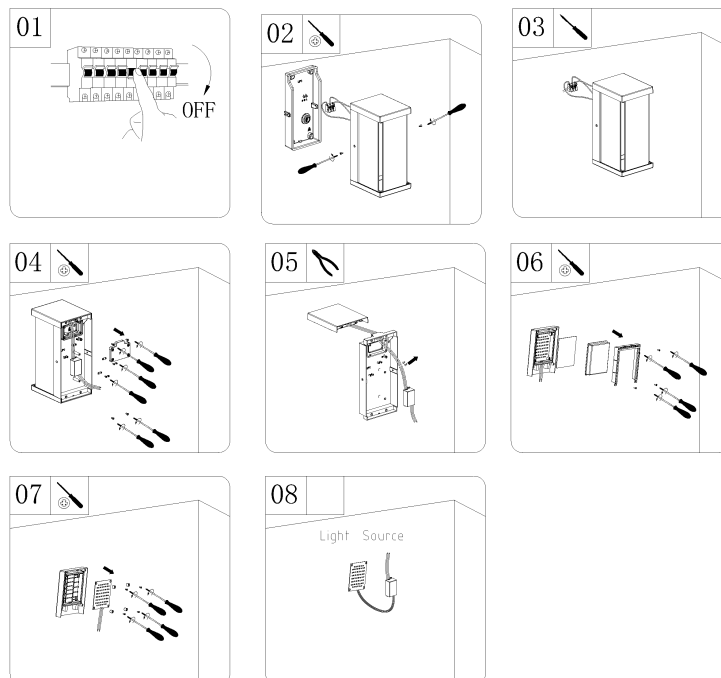
Dismantling

- Type: Without permanent damage

Recommendation on Disposal

- Plastic part: Reuse and Recycling
- Electrical part: Incineration and disposal
- Metal part: Recycling

Light source dismantling process



Dismantling Recommendation on Disposal at End of Life

New Light Source Assembly Instruction:

