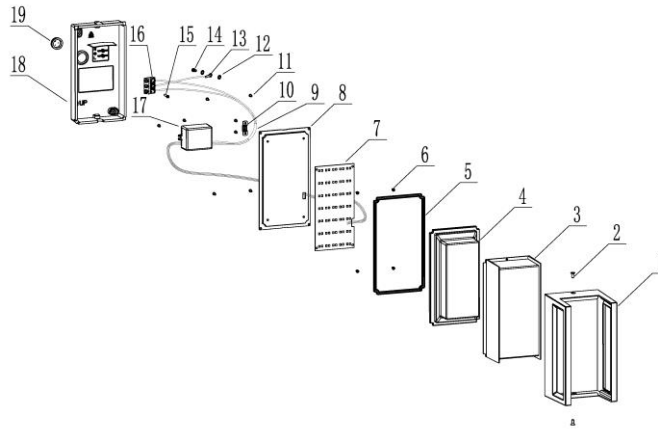


## Dismantling Recommendation on Disposal at End of Life

### Composition Explanation



No.	Components	Specifications	Unit	Quantity
1	Body	AL	PCS	1
2	BT3*10 screw	SS	PCS	2
3	Wall plate	PC	PCS	1
4	Wall plate	PC	PCS	1
5	Gasket	Rubber	PCS	1
6	M3*5 screw	Zinc coated	PCS	8
7	L2		PCS	1
8	Body	AL	PCS	1
9	Ø5 heat shrinkable tube		M	0.03
10	plastic board	PC	PCS	1
11	M3*8 screw	Zinc coated	PCS	4
12	Ø4 teeth washer	Zinc coated	PCS	2
13	Earthing wire		PCS	1
14	M4*6 screw	Zinc coated	PCS	1
15	ST2.9*14screw	Zinc coated	PCS	1
16	925-3 Terminal block		PCS	1
17	Driver		PCS	1
18	Wall plate	ABS	PCS	1
19	gromet	Rubber	PCS	1

## Dismantling Recommendation on Disposal at End of Life

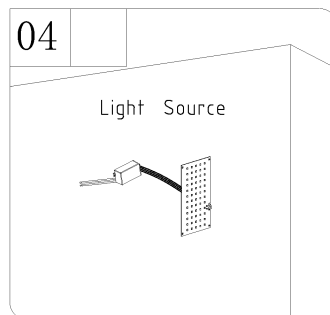
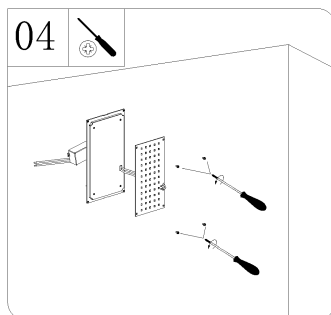
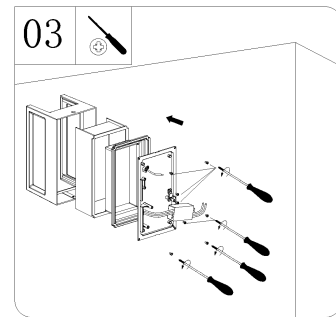
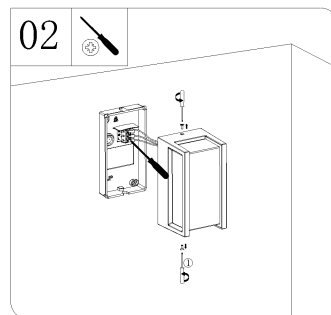
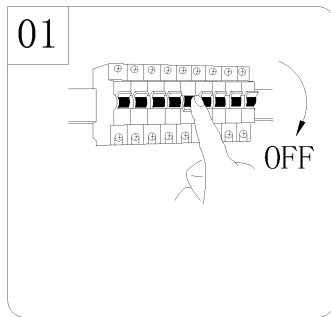
### Dismantling

- Type: Without permanent damage

### Recommendation on Disposal

- Plastic part: Reuse and Recycling
- Electrical part: Incineration and disposal
- Metal part: Recycling

### Light source dismantling process



## Dismantling Recommendation on Disposal at End of Life

New Light Source Assembly Instruction:

