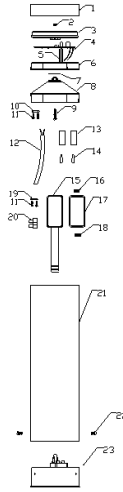


Dismantling Recommendation on Disposal at End of Life

Composition Explanation



No.	Components	Specifications	Unit	Quantity
1	ss	ss	PCS	1
2	M4 hexagon nut		PCS	1
3	plastic parts	ABS	PCS	1
4	L2		PCS	1
5	Ø5 heat shrinkable tube		PCS	0.09
6	Diffuser	PC		1
7	Gasket	Rubber	PCS	1
8	Diffuser	PC		1
9	M4*20screw	ss	PCS	2
10	Strain relief	PA6	PCS	1
11	ST3*8 screw	ss	PCS	1
12	VDE wire	H03VVH2-F 2*0.75mm2	PCS	1
13	Ø10 heat shrinkable tube	Ø10	M	0.03
14	Sensor		PCS	2
15	box	ABS	PCS	1
16	Gasket	Rubber	PCS	1
17	Gasket	Rubber	PCS	1
18	Gasket	Rubber	PCS	1
19	Strain relief	PA6	PCS	1
20	Terminal block	PA8	PCS	1
21	ss	ss	PCS	1
22	ST3.5*10 screw	ss	PCS	3
23	Plastic base	pp	PCS	1

Dismantling Recommendation on Disposal at End of Life

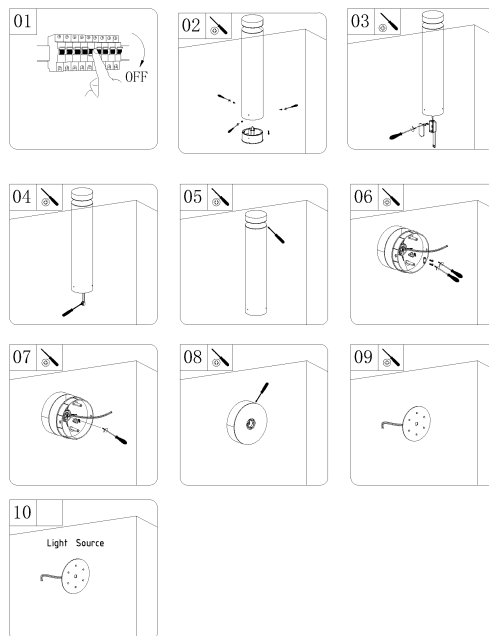
Dismantling

- Type: Without permanent damage

Recommendation on Disposal

- Plastic part: Reuse and Recycling
- Electrical part: Incineration and disposal
- Metal part: Recycling

Light source dismantling process



Dismantling Recommendation on Disposal at End of Life

New Light Source Assembly Instruction:

