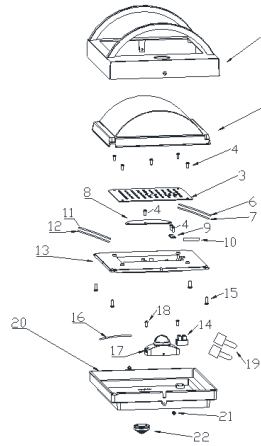


# Dismantling Recommendation on Disposal at End of Life

## Composition Explanation



No.	Components	Specifications	Unit	Quantity
1	Body	AL	PCS	1
2	Diffuser	PP	PCS	1
3	L2		PCS	1
4	BT2.9*8screw	Zinc coated	PCS	8
6	VDE red wire	H05S-K 0.5mm2	PCS	1
7	VDE black wire	H05S-K 0.5mm2	PCS	1
8	Driver		PCS	1
9	plastic board		PCS	1
10	Ø5 heat shrinkable tube		M	0.03
11	VDE brown wire	H05S-K 0.75mm2	PCS	1
12	VDE blue wire	H05S-K 0.75mm2	PCS	1
13	Diffuser	ABS	PCS	1
14	Terminal block	PA10	PCS	1
15	M4*10 screw	Zinc coated	PCS	4
16	VDE brown wire	H05S-K 0.75mm2	PCS	1
17	Sensor		PCS	1
18	M3*8 screw	Zinc coated	PCS	2
19	Terminal cap		PCS	2
20	plastic board	ABS	PCS	1
21	BT3*10 screw	Zinc coated	PCS	2
22	Gromet	TPE	PCS	1

## Dismantling Recommendation on Disposal at End of Life

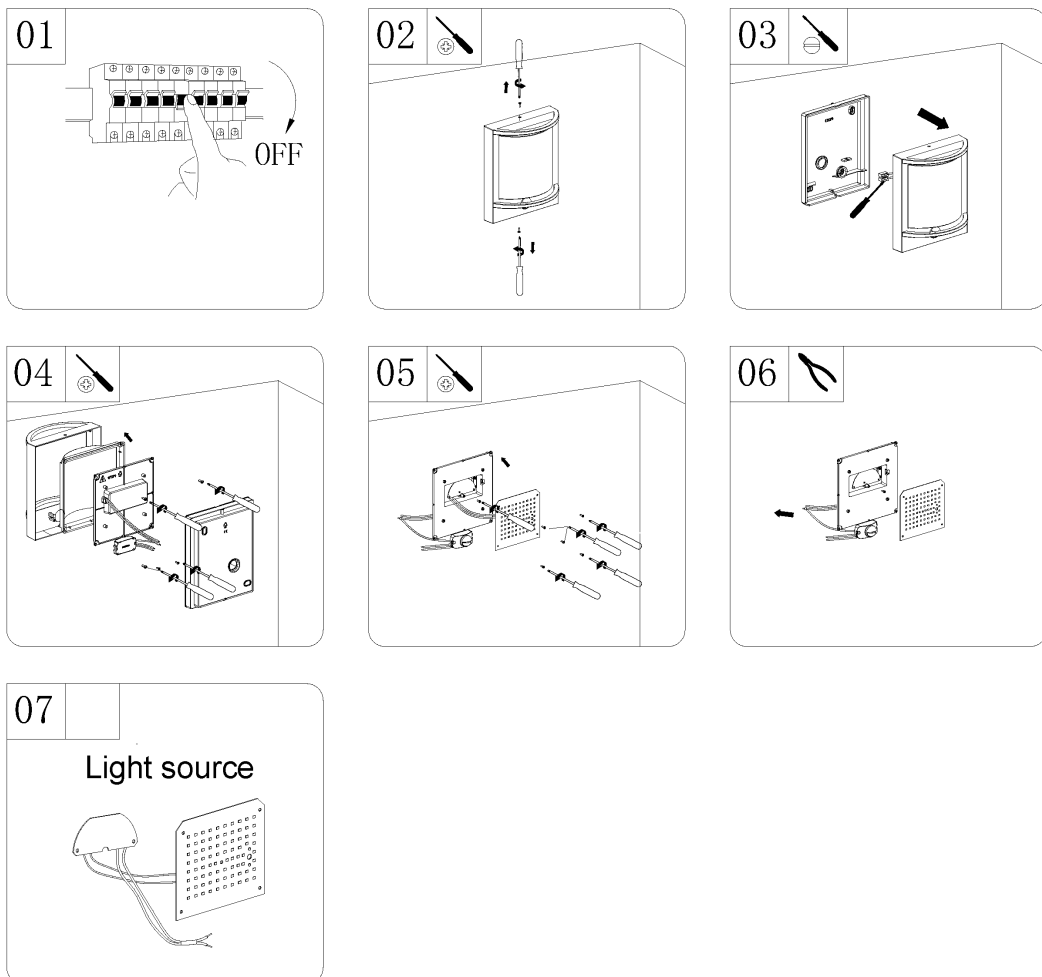
### Dismantling

- Type: Without permanent damage

### Recommendation on Disposal

- Plastic part: Reuse and Recycling
- Electrical part: Incineration and disposal
- Metal part: Recycling

### Light source dismantling process



## Dismantling Recommendation on Disposal at End of Life

New Light Source Assembly Instruction:

