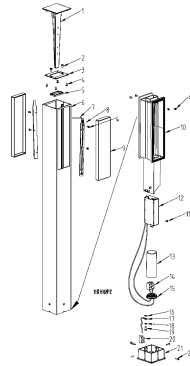


Dismantling Recommendation on Disposal at End of Life

Composition Explanation



No.	Components	Specifications	Unit	Quantity
1	aluminium enclosure	ZL102	PCS	1
2	M4*6 screw	Zinc coated	PCS	2
3	iron plate	Q235A	PCS	1
4	M3*5 screw	Zinc coated	PCS	12
5	rubber ring	silica gel	PCS	1
6	aluminium product	6063	PCS	1
7	silicone wire	H05S-K,1*0.5mm ²	PCS	1
8	L2		PCS	2
9	Diffuser	PC	PCS	1
10	reflector	ABS	PCS	1
11	BT2.9*6 screw	Zinc coated	PCS	1
12	Driver		PCS	1
13	box	pp	PCS	1
14	Terminal block	PA10	PCS	1
15	lid	PP	PCS	1
16	φ4gasket	Zinc coated	PCS	1
17	VDE yellow and green wire	H05V-K 0.75mm ²	PCS	1
18	φ4gasket	SS	PCS	1
19	M4*8 screw	Zinc coated	PCS	1
20	Terminal block	PA10	PCS	1
21	BT3*8 screw	Zinc coated	PCS	4

Dismantling Recommendation on Disposal at End of Life

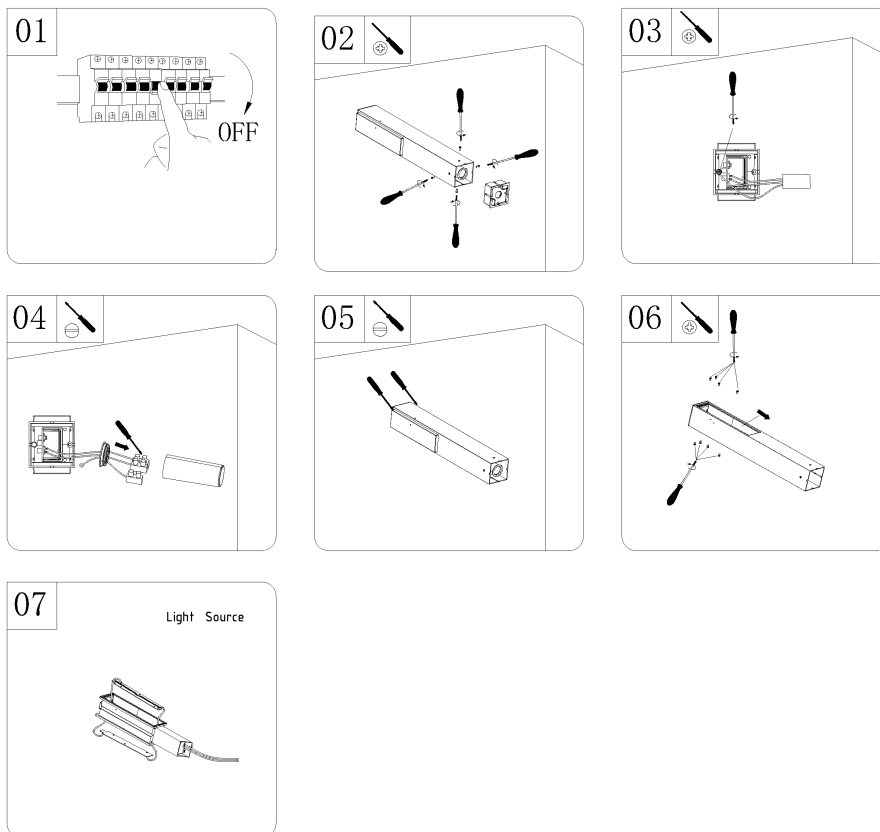
Dismantling

- Type: Without permanent damage

Recommendation on Disposal

- Plastic part: Reuse and Recycling
- Electrical part: Incineration and disposal
- Metal part: Recycling

Light source dismantling process



Dismantling Recommendation on Disposal at End of Life

New Light Source Assembly Instruction:

