



Classic LEDspotLV

LEDspots 7.5-50W MR16 940 DIM 60D 1PF/10

LEDspotLV Classic offers an archetypal halogen-like design while delivering the benefits of LED technology, saving around 85% on energy consumption, minimizing maintenance cost, and much more besides. It is compatible with most existing fixtures with a GU 5.3 holder and is designed as a retrofit replacement for halogen or incandescent spots.

Product data

General Information	
Cap-Base	GU5.3
Nominal lifetime	25,000 h
Switching Cycle	50,000
Rated Lifetime (Hours)	25,000 h
Lighting Technology	LED
Light Technical	
Color Code	940 [CCT of 4000K]
Color Code	940 [CCT of 4000K]
Beam Angle (Nom)	60 degree(s)
Luminous Flux	745 lm
Luminous Intensity (Nom)	770 cd
Color Designation	Cool White (CW)
Luminous Efficacy (rated) (Nom)	99 lm/W
Correlated Color Temperature (Nom)	4000 K
Color Consistency	<6
Color rendering index (CRI)	90
LLMF At End Of Nominal Lifetime (Nom)	70 %
Photobiological safety according to EN 62471	RG1

Operating and Electrical	
Input Frequency	- Hz
Power Consumption	7.5 W
Lamp Current (Nom)	660 mA
Wattage Equivalent	50 W
Starting Time (Nom)	0.5 s
Warm-up time to 60% light	0.5 s
Power Factor (Fraction)	0.7
Voltage (Nom)	ac electronic 12 V

Temperature	
Ambient temperature range	-20 to +40 °C
T-Case Maximum (Nom)	95 °C

Controls and Dimming	
Dimmable	Only with specific dimmers

Mechanical and Housing	
Bulb Finish	Clear
Bulb Material	Glass
Bulb Shape	MR16

Classic LEDspotLV

Approval and Application

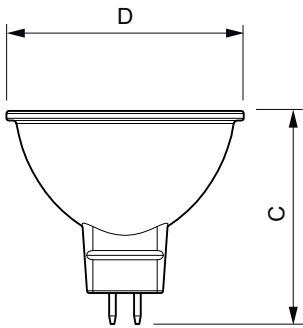
Suitable For Accent Lighting	Yes
Energy Consumption kWh/1000 h	9 kWh
EU RoHS compliant	Yes
EyeComfort	No

Product Data

Order product name	LEDspots 7.5-50W MR16 940 DIM 60D 1PF/10
Full product name	LEDspots 7.5-50W MR16 940 DIM 60D 1PF/10
Full product code	871951435765500

Local code description	LCD84060DMR16
Order code	929002493709
Material Nr. (12NC)	929002493709
Local order code	LCD84060DMR16
Numerator - Quantity Per Pack	1
Net Weight (Piece)	0.050 kg
EAN/UPC - Product/Case	8719514357655
Numerator - Packs per outer box	10
EAN/UPC - Case	8719514357662

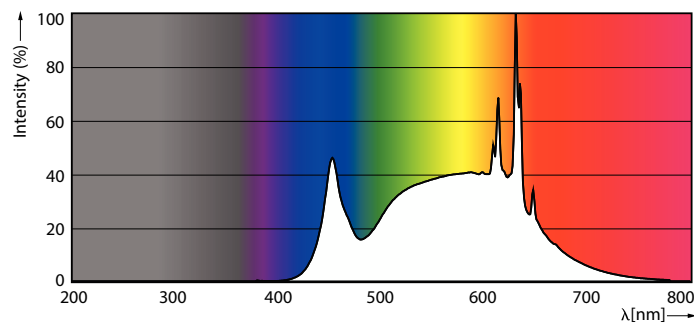
Dimensional drawing



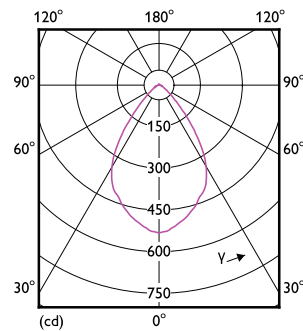
Product

LEDspots 7.5-50W MR16 940 DIM 60D 1PF/10

Photometric data



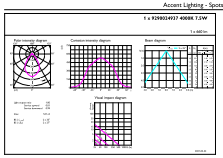
Spectral Power Distribution Colour - LEDspots 7.5-50W MR16 940 DIM 60D 1PF/10



Light Distribution Diagram - LEDspots 7.5-50W MR16 940 DIM 60D 1PF/10

Classic LEDspotLV

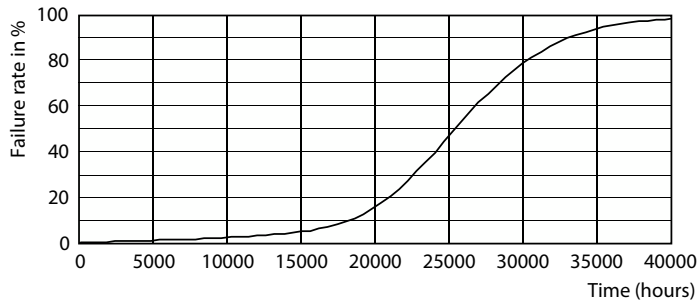
Photometric data



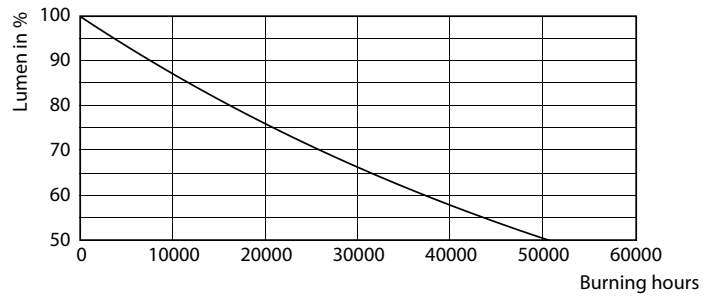
© 2023 Philips Lighting B.V. All rights reserved. Philips Lighting B.V. Page 11

Accent Lighting Spots - LEDspots 7.5-50W MR16 940 DIM 60D 1PF/10

Lifetime



Life Expectancy Diagram



Lumen Maintenance Diagram - LEDspots 7.5-50W MR16 940 DIM 60D 1PF/10

