



# Classic LEDspotLV

## LEDspots 7.5-50W MR16 930 DIM 60D 1PF/10

LEDspotLV Classic offers an archetypal halogen-like design while delivering the benefits of LED technology, saving around 85% on energy consumption, minimizing maintenance cost, and much more besides. It is compatible with most existing fixtures with a GU 5.3 holder and is designed as a retrofit replacement for halogen or incandescent spots.

### Product data

General Information	
Cap-Base	GU5.3
Nominal lifetime	25,000 h
Switching Cycle	50,000
Rated Lifetime (Hours)	25,000 h
Lighting Technology	LED
Light Technical	
Color Code	930 [CCT of 3000K]
Color Code	930 [CCT of 3000K]
Beam Angle (Nom)	60 degree(s)
Luminous Flux	710 lm
Luminous Intensity (Nom)	800 cd
Color Designation	White (WH)
Luminous Efficacy (rated) (Nom)	94 lm/W
Correlated Color Temperature (Nom)	3000 K
Color Consistency	<6
Color rendering index (CRI)	90
LLMF At End Of Nominal Lifetime (Nom)	70 %
Photobiological safety according to EN 62471	RG1

Operating and Electrical	
Input Frequency	- Hz
Power Consumption	7.5 W
Lamp Current (Nom)	660 mA
Wattage Equivalent	50 W
Starting Time (Nom)	0.5 s
Warm-up time to 60% light	0.5 s
Power Factor (Fraction)	0.7
Voltage (Nom)	ac electronic 12 V

Temperature	
Ambient temperature range	-20 to +40 °C
T-Case Maximum (Nom)	95 °C

Controls and Dimming	
Dimmable	Only with specific dimmers

Mechanical and Housing	
Bulb Finish	Clear
Bulb Material	Glass
Bulb Shape	MR16

# Classic LEDspotLV

## Approval and Application

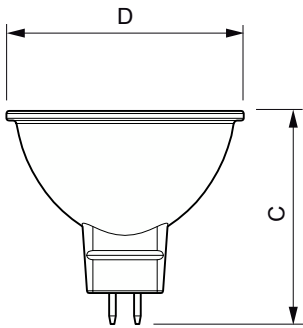
Suitable For Accent Lighting	Yes
Energy Consumption kWh/1000 h	9 kWh
EU RoHS compliant	Yes
EyeComfort	Yes
LED Innovations	EyeComfort

## Product Data

Order product name	LEDspots 7.5-50W MR16 930 DIM 60D 1PF/10
Full product name	LEDspots 7.5-50W MR16 930 DIM 60D 1PF/10

Full product code	871951435763100
Local code description	LCD830L60DMR16
Order code	929002493609
Material Nr. (12NC)	929002493609
Local order code	LCD830L60DMR16
Numerator - Quantity Per Pack	1
Net Weight (Piece)	0.050 kg
EAN/UPC - Product/Case	8719514357631
Numerator - Packs per outer box	10
EAN/UPC - Case	8719514357648

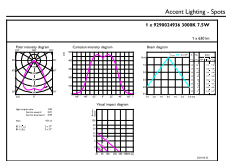
## Dimensional drawing



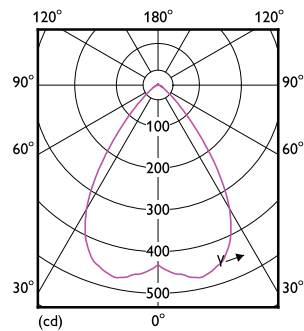
## Product

LEDspots 7.5-50W MR16 930 DIM 60D 1PF/10

## Photometric data



Accent Lighting - Spots  
1 x 7.5-50W MR16 930 DIM 60D 1PF/10

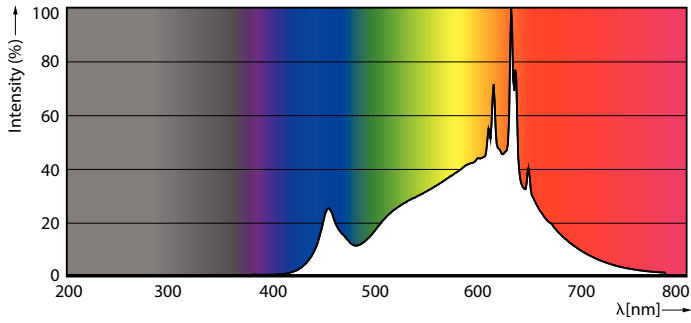


Light Distribution Diagram - LEDspots 7.5-50W MR16 930 DIM 60D 1PF/10

Accent Lighting Spots - LEDspots 7.5-50W MR16 930 DIM 60D 1PF/10

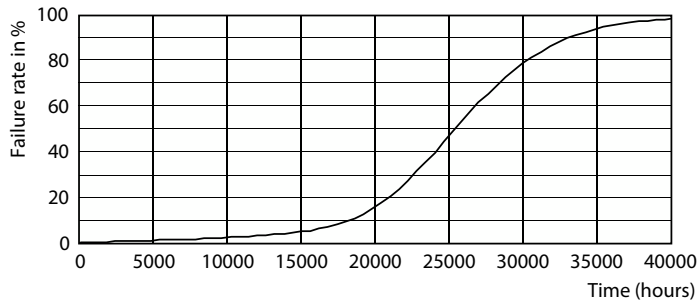
# Classic LEDspotLV

## Photometric data



Spectral Power Distribution Colour - LEDspots 7.5-50W MR16 930 DIM 60D  
1PF/10

## Lifetime



Life Expectancy Diagram



Lumen Maintenance Diagram - LEDspots 7.5-50W MR16 930 DIM 60D  
1PF/10

