



LED Designer Deco

26UFO/PER/865/FR/P/E26/ND 4/1PF

Philips LED Designer Deco lamps allow you to maintain a warm, classic light or a modern, chic effect while providing longer life and energy savings

Product data

General Information	
Cap-Base	E26 [Single Contact Medium Screw]
Nominal lifetime	15,000 hour(s)
Switching Cycle	50,000
Rated Lifetime (Hours)	15,000 hour(s)
Lighting Technology	LED
EU RoHS compliant	Yes

Light Technical	
Color Code	865 [CCT of 6500K]
Color Code	865 [CCT of 6500K]
Beam Angle (Nom)	120 degree(s)
Luminous Flux	2,050 lm
Color Designation	Cool Daylight
Correlated Color Temperature (Nom)	6500 K
Luminous Efficacy (rated) (Nom)	78 lm/W
Color Consistency	<6
Color rendering index (CRI)	80
LLMF At End Of Nominal Lifetime (Nom)	70 %

Operating and Electrical	
Line Frequency	50 to 60 Hz
Input Frequency	50 to 60 Hz
Power Consumption	26 W
Lamp Current (Nom)	360 mA

Wattage Equivalent	125 W
Starting Time (Nom)	0.5 s
Warm-up time to 60% light	0.5 s
Power Factor (Fraction)	0.5
Voltage (Nom)	110-240 V

Temperature	
Ambient temperature range	-20 °C to 45 °C
T-Case Maximum (Nom)	72 °C

Controls and Dimming	
Dimmable	No

Mechanical and Housing	
Bulb Finish	Frosted
Bulb Material	Plastic
Bulb Shape	Others
UL Wet/ damp/ dry location	Damp location

Approval and Application	
EyeComfort	Yes
T20 compliant	No

LED Designer Deco

Application Conditions

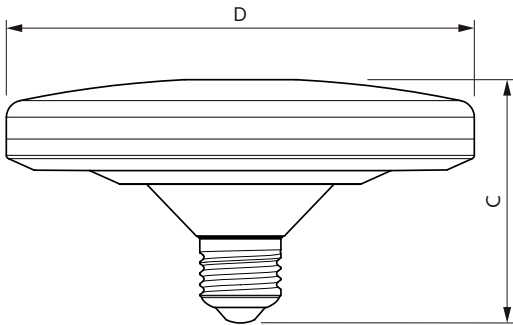
can it be used in closed luminaires	No
-------------------------------------	----

Product Data

Order product name	26UFO/PER/865/FR/P/E26/ND 4/1PF
Full product name	26UFO/PER/865/FR/P/E26/ND 4/1PF
Order code	571836

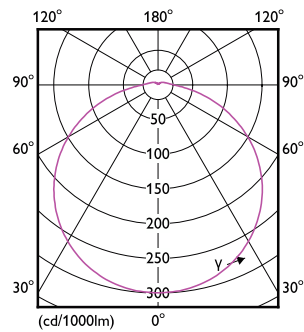
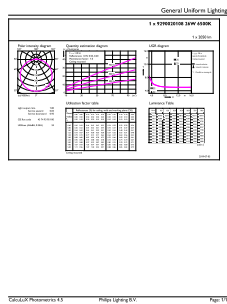
Material Nr. (12NC)	929002010825
Numerator - Quantity Per Pack	1
EAN/UPC - Product/Case	046677571832
Numerator - Packs per outer box	4
EAN/UPC - Case	50046677571837

Dimensional drawing



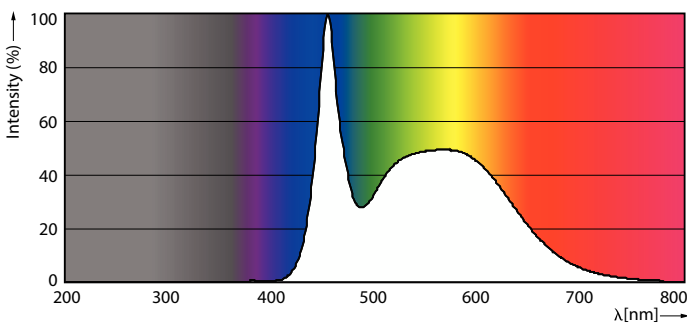
Product	D	C
26UFO/PER/865/FR/P/E26/ND 4/1PF	200 mm	77 mm

Photometric data



General uniform lighting - 26UFO/PER/865/FR/P/E26/ND 4/1PF

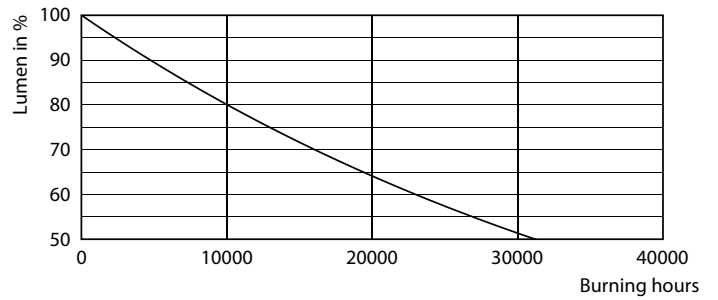
Light Distribution Diagram - 26UFO/PER/865/FR/P/E26/ND 4/1PF



Spectral Power Distribution Colour - 26UFO/PER/865/FR/P/E26/ND 4/1PF

LED Designer Deco

Lifetime



Life Expectancy Diagram - 26UFO/PER/865/FR/P/E26/ND 4/1PF

Lumen Maintenance Diagram - 26UFO/PER/865/FR/P/E26/ND 4/1PF

