



Classic LEDspotLV

LEDspots 5-50W MR16 830 60D 4PK

LEDspotLV Classic offers an archetypal halogen-like design while delivering the benefits of LED technology, saving around 85% on energy consumption, minimizing maintenance cost, and much more besides. It is compatible with most existing fixtures with a GU 5.3 holder and is designed as a retrofit replacement for halogen or incandescent spots.

Product data

General Information		Power Consumption	
Cap-Base	GU5.3	Power Consumption	5 W
Nominal lifetime	15,000 hour(s)	Lamp Current (Nom)	580 mA
Switching Cycle	50,000	Wattage Equivalent	50 W
Rated Lifetime (Hours)	15,000 hour(s)	Starting Time (Nom)	0.5 s
Lighting Technology	LED	Warm-up time to 60% light	0.5 s
		Power Factor (Fraction)	0.6
		Voltage (Nom)	ac electronic 12 V
Light Technical		Temperature	
Color Code	830 [CCT of 3000K]	Ambient temperature range	-20 to +40 °C
Beam Angle (Nom)	60 degree(s)	T-Case Maximum (Nom)	65 °C
Luminous Flux	390 lm		
Luminous Intensity (Nom)	400 cd	Controls and Dimming	
Luminous Efficacy (rated) (Nom)	78 lm/W	Dimmable	No
Color Designation	White (WH)		
Correlated Color Temperature (Nom)	3000 K	Mechanical and Housing	
Color Consistency	<6	Bulb Finish	Clear
Color rendering index (CRI)	80	Bulb Material	Glass
LLMF At End Of Nominal Lifetime (Nom)	70 %	Bulb Shape	MR16
Operating and Electrical		Approval and Application	
Line Frequency	- Hz	Suitable For Accent Lighting	Yes
Input Frequency	- Hz		

Classic LEDspotLV

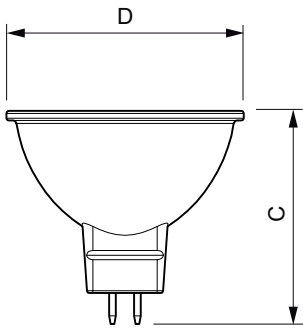
Energy Consumption kWh/1000 h	6 kWh
EU RoHS compliant	Yes
EyeComfort	Yes
LED Innovations	EyeComfort

Product Data

Order product name	LEDspots 5-50W MR16 830 60D 4PK
Full product name	LEDspots 5-50W MR16 830 60D 4PK
Full product code	871869967573800

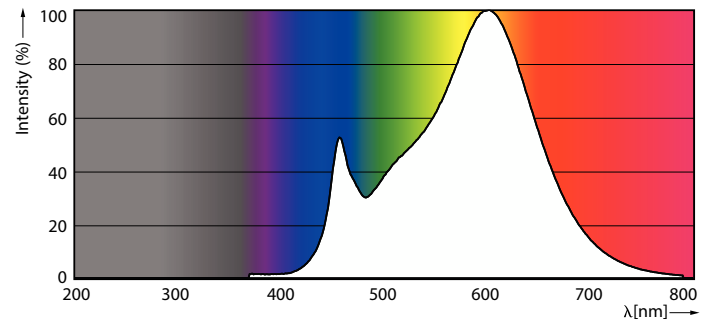
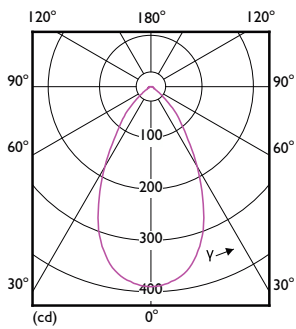
Order code	929001280494
Material Nr. (12NC)	929001280494
Numerator - Quantity Per Pack	4
Net Weight (Piece)	0.040 kg
EAN/UPC - Product/Case	8718699675738
Numerator - Packs per outer box	3
EAN/UPC - Case	8718699675745

Dimensional drawing



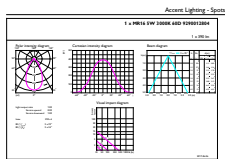
Product	D	C
LEDspots 5-50W MR16 830 60D 4PK	50.5 mm	45.5 mm

Photometric data



Light Distribution Diagram - LEDspots 5-50W MR16 830 60D 4PK

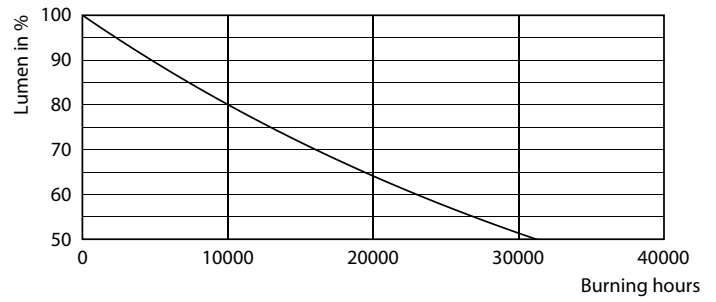
Spectral Power Distribution Colour - LEDspots 5-50W MR16 830 60D 4PK



Accent Lighting Spots - LEDspots 5-50W MR16 830 60D 4PK

Classic LEDspotLV

Lifetime



Life Expectancy Diagram

Lumen Maintenance Diagram

