



Classic LEDspotLV

LEDspots 5-50W MR16 830 60D

LEDspotLV Classic offers an archetypal halogen-like design while delivering the benefits of LED technology, saving around 85% on energy consumption, minimizing maintenance cost, and much more besides. It is compatible with most existing fixtures with a GU 5.3 holder and is designed as a retrofit replacement for halogen or incandescent spots.

Product data

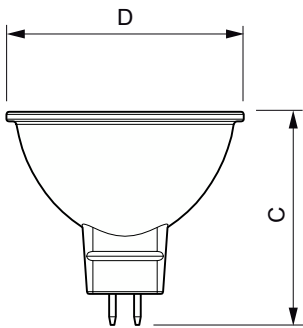
| General Information | | Power Consumption | |
|---------------------------------------|--------------------|------------------------------|--------------------|
| Cap-Base | GU5.3 | Power Consumption | 5 W |
| Nominal lifetime | 15,000 hour(s) | Lamp Current (Nom) | 580 mA |
| Switching Cycle | 50,000 | Wattage Equivalent | 50 W |
| Rated Lifetime (Hours) | 15,000 hour(s) | Starting Time (Nom) | 0.5 s |
| Lighting Technology | LED | Warm-up time to 60% light | 0.5 s |
| | | Power Factor (Fraction) | 0.6 |
| | | Voltage (Nom) | ac electronic 12 V |
| Light Technical | | Temperature | |
| Color Code | 830 [CCT of 3000K] | Ambient temperature range | -20 to +40 °C |
| Beam Angle (Nom) | 60 degree(s) | T-Case Maximum (Nom) | 65 °C |
| Luminous Flux | 390 lm | | |
| Luminous Intensity (Nom) | 400 cd | Controls and Dimming | |
| Luminous Efficacy (rated) (Nom) | 78 lm/W | Dimmable | No |
| Color Designation | White (WH) | | |
| Correlated Color Temperature (Nom) | 3000 K | Mechanical and Housing | |
| Color Consistency | <6 | Bulb Finish | Clear |
| Color rendering index (CRI) | 80 | Bulb Material | Glass |
| LLMF At End Of Nominal Lifetime (Nom) | 70 % | Bulb Shape | MR16 |
| Operating and Electrical | | Approval and Application | |
| Line Frequency | - Hz | Suitable For Accent Lighting | Yes |
| Input Frequency | - Hz | | |

Classic LEDspotLV

| | |
|-------------------------------|-----------------------------|
| Energy Consumption kWh/1000 h | 6 kWh |
| EU RoHS compliant | Yes |
| Product Data | |
| Order product name | LEDspots 5-50W MR16 830 60D |
| Full product name | LEDspots 5-50W MR16 830 60D |
| Full product code | 871869967565300 |
| Order code | 929001280491 |

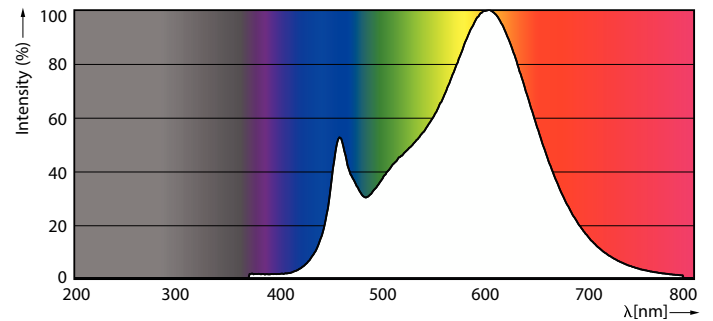
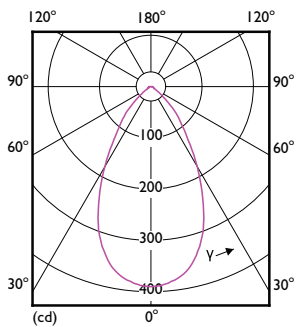
| | |
|---------------------------------|---------------|
| Material Nr. (12NC) | 929001280491 |
| Numerator - Quantity Per Pack | 1 |
| Net Weight (Piece) | 0.040 kg |
| EAN/UPC - Product/Case | 8718699675653 |
| Numerator - Packs per outer box | 4 |
| EAN/UPC - Case | 8718699675660 |

Dimensional drawing



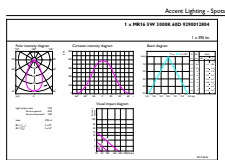
| Product | D | C |
|-----------------------------|---------|---------|
| LEDspots 5-50W MR16 830 60D | 50.5 mm | 45.5 mm |

Photometric data



Light Distribution Diagram - LEDspots 5-50W MR16 830 60D

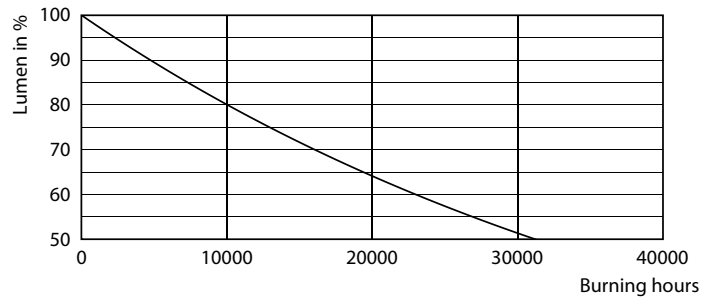
Spectral Power Distribution Colour - LEDspots 5-50W MR16 830 60D



Accent Lighting Spots - LEDspots 5-50W MR16 830 60D

Classic LEDspotLV

Lifetime



Life Expectancy Diagram

Lumen Maintenance Diagram

