



Classic LEDspotLV

LEDspots 5-50W MR16 830 60D 2pk

LEDspotLV Classic offers an archetypal halogen-like design while delivering the benefits of LED technology, saving around 85% on energy consumption, minimizing maintenance cost, and much more besides. It is compatible with most existing fixtures with a GU 5.3 holder and is designed as a retrofit replacement for halogen or incandescent spots.

Product data

General Information	
Cap-Base	GU5.3 [GU5.3]
Nominal lifetime	15,000 h
Switching Cycle	50,000
Rated Lifetime (Hours)	15,000 h
Lighting Technology	LED
EU RoHS compliant	Yes
Light Technical	
Color Code	830 [CCT of 3000K]
Color Code	830 [CCT of 3000K]
Beam Angle (Nom)	60 degree(s)
Luminous Flux	390 lm
Luminous Intensity (Nom)	400 cd
Color Designation	White (WH)
Correlated Color Temperature (Nom)	3000 K
Luminous Efficacy (rated) (Nom)	78 lm/W
Color Consistency	<6
Color rendering index (CRI)	80
LLMF At End Of Nominal Lifetime (Nom)	70 %

Operating and Electrical	
Line Frequency	- Hz
Input Frequency	- Hz
Power Consumption	5 W
Lamp Current (Nom)	580 mA
Wattage Equivalent	50 W
Starting Time (Nom)	0.5 s
Warm-up time to 60% light	0.5 s
Power Factor (Fraction)	0.6
Voltage (Nom)	ac electronic 12 V
Voltage (Nom)	12 V

Temperature	
Ambient temperature range	-20 to +40 °C
T-Case Maximum (Nom)	65 °C

Controls and Dimming	
Dimmable	No

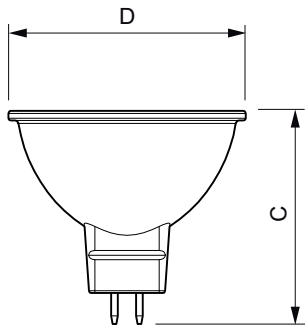
Mechanical and Housing	
Bulb Finish	Clear
Bulb Material	Glass

Classic LEDspotLV

Bulb Shape	MR16 [2inch/50mm]
Approval and Application	
Suitable For Accent Lighting	Yes
Energy Consumption kWh/1000 h	6 kWh
Product Data	
Order product name	LEDspots 5-50W MR16 830 60D 2pk
Full product name	LEDspots 5-50W MR16 830 60D 2pk

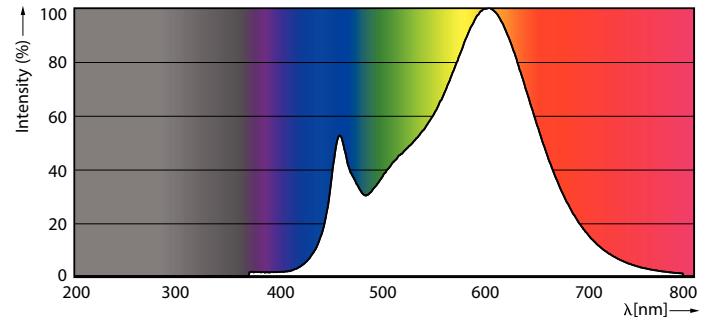
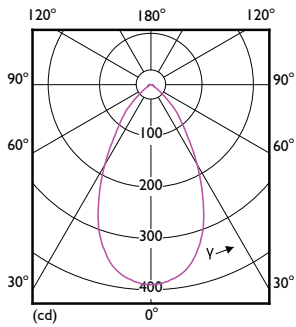
Full product code	871951432762700
Order code	929001280476
Material Nr. (12NC)	929001280476
Numerator - Quantity Per Pack	1
EAN/UPC - Product/Case	8719514327627
Numerator - Packs per outer box	4
EAN/UPC - Case	8719514327634

Dimensional drawing



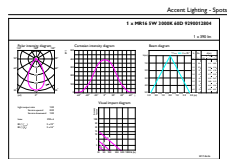
Product	D	C
LEDspots 5-50W MR16 830 60D 2pk	50.5 mm	45.5 mm

Photometric data



Light Distribution Diagram - LEDspots 5-50W MR16 830 60D 2pk

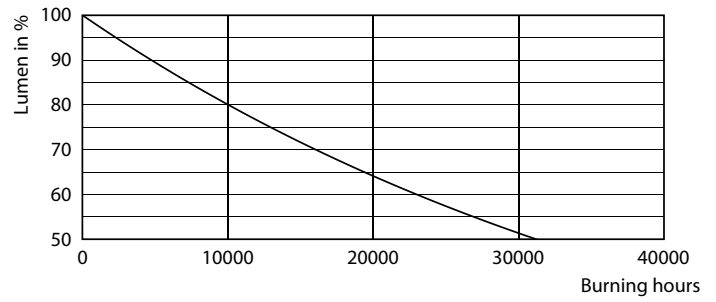
Spectral Power Distribution Colour - LEDspots 5-50W MR16 830 60D 2pk



Accent Lighting Spots - LEDspots 5-50W MR16 830 60D 2pk

Classic LEDspotLV

Lifetime



Life Expectancy Diagram - LEDspots 5-50W MR16 830 60D 2pk

Lumen Maintenance Diagram

